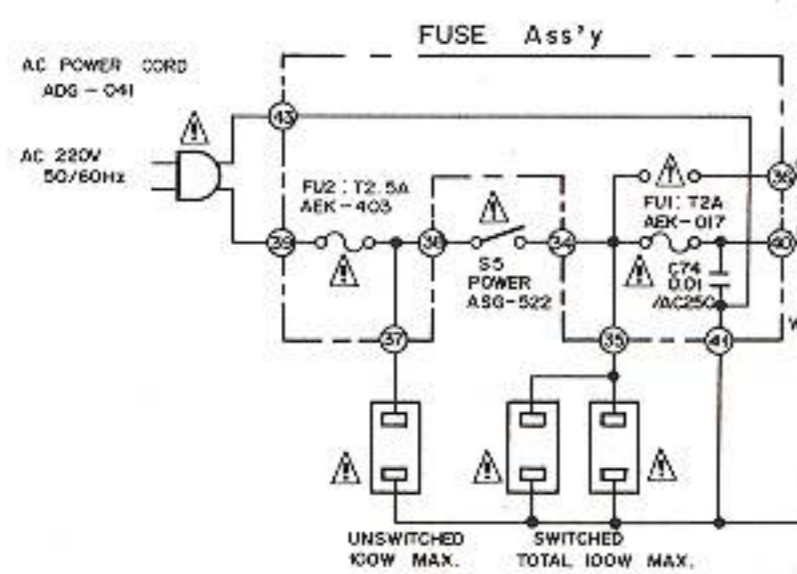
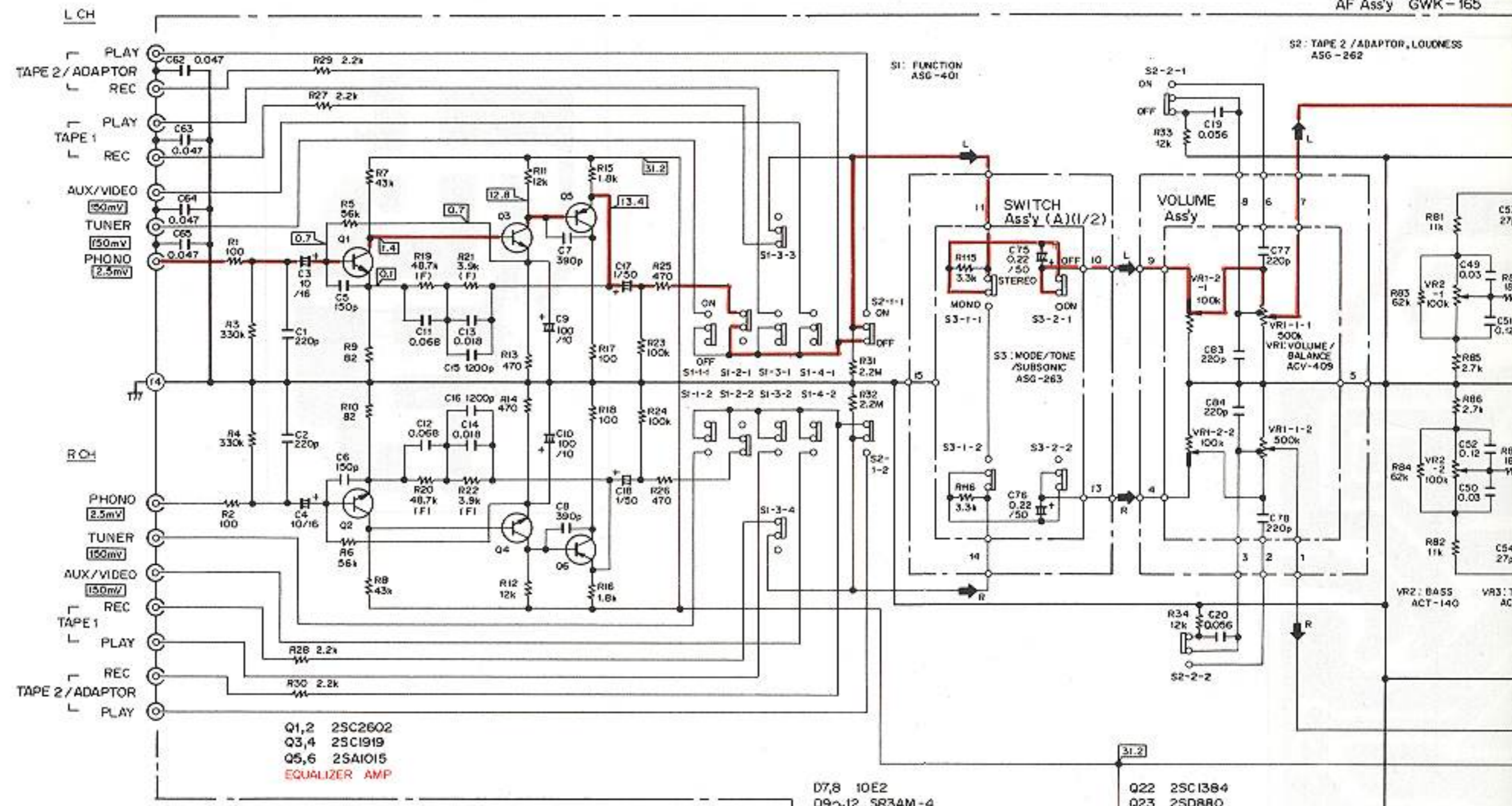


SCHEMATIC DIAGRAM

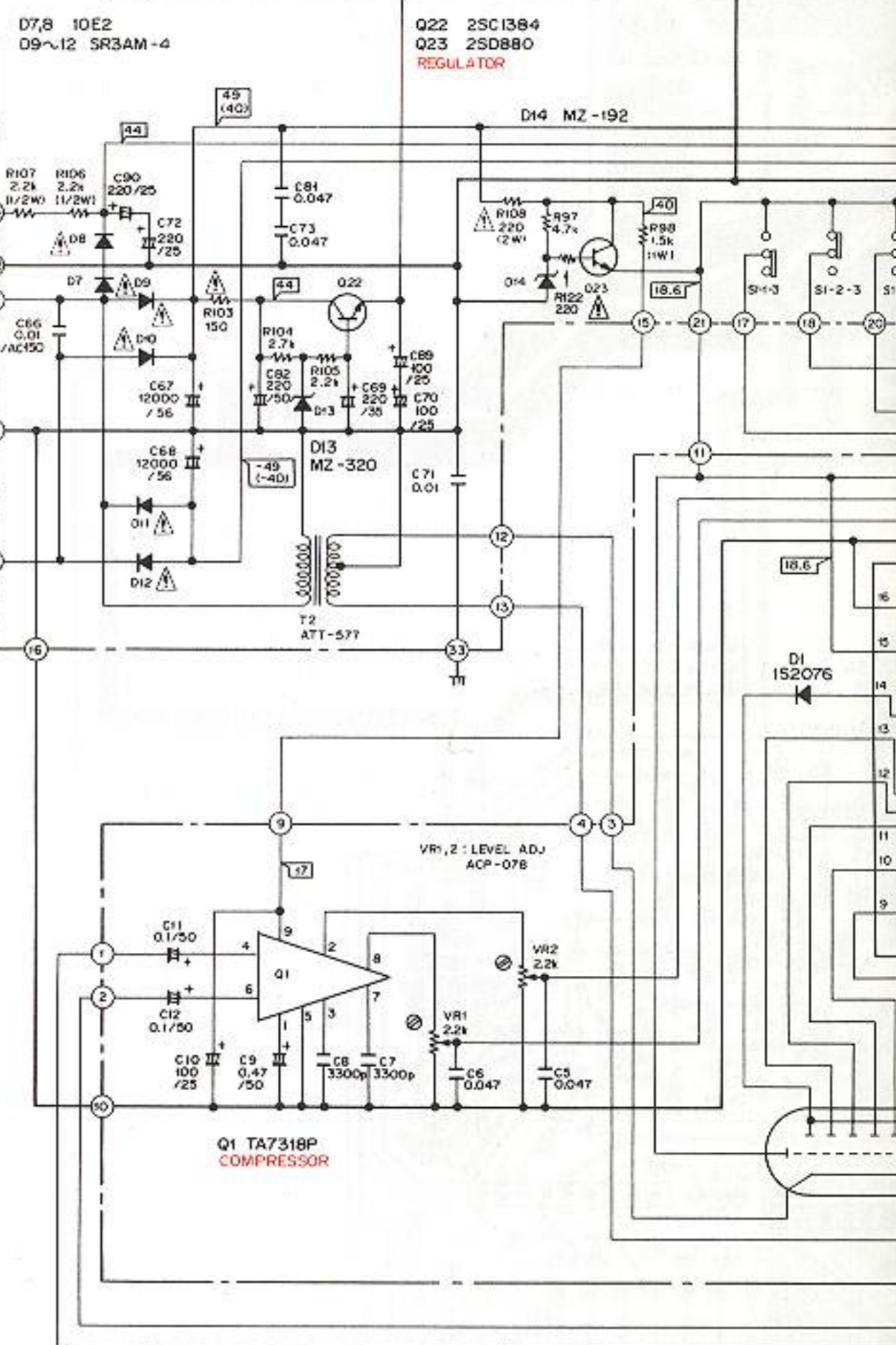
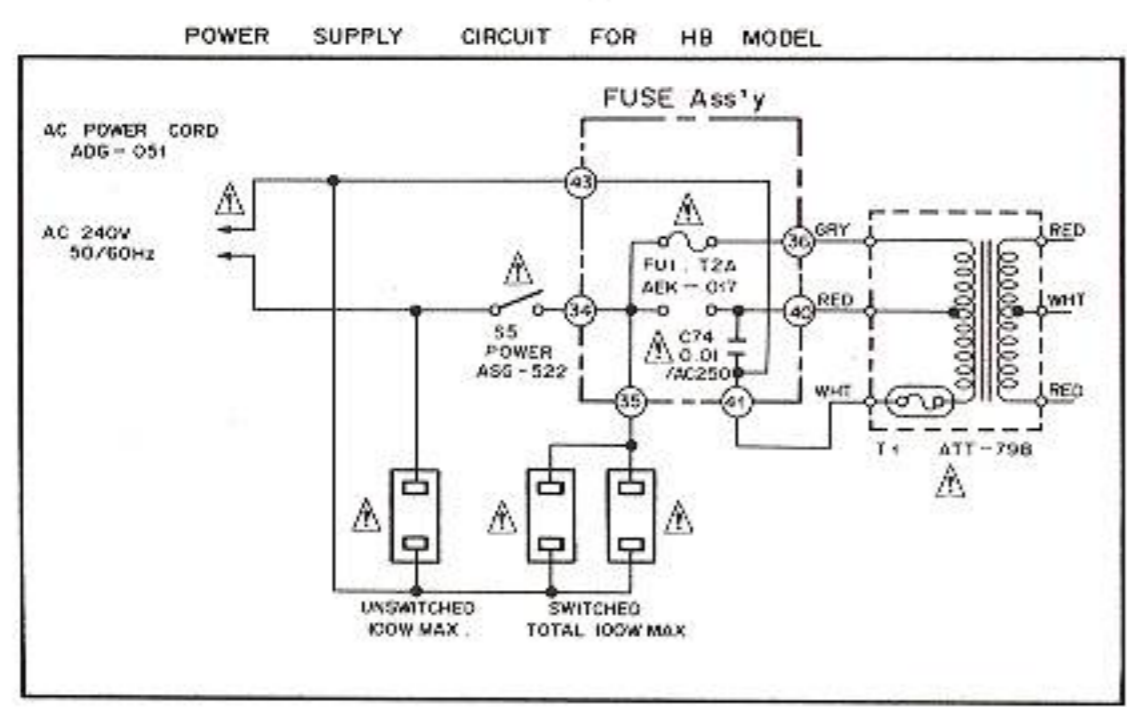
AF Ass'y GWK-165



- RESISTORS:**
Indicated in Ω, kΩ, MΩ, ±5% tolerance unless otherwise noted k: kΩ, M: MΩ, (F): ±1%, (G): ±2%, (K): ±10%, (M): ±20% tolerance
- CAPACITORS:**
Indicated in capacity (μF/voltage (V) unless otherwise noted p: pF
Indication without voltage is 50V except electrolytic capacitor.
- VOLTAGE**
 : Signal voltage at 65 W + 65 W 8Ω output (1kHz)
 : DC voltage (V) at no input signal
 Value in () is DC voltage at rated power.
- OTHERS:**
 : Signal route.
 : Adjusting point.
 The mark found on some component parts indicates the importance of the safety factor of the part. Therefore, when replacing, be sure to use parts of identical designation.

- SWITCHES:**
- S1-1 : FUNCTION (TUNER) ON - OFF
 - S1-2 : FUNCTION (PHONO) ON - OFF
 - S1-3 : FUNCTION (TAPE 1) ON - OFF
 - S1-4 : FUNCTION (AUX/VIDEO) ON - OFF
 - S2-1 : TAPE 2 / ADAPTOR ON - OFF
 - S2-2 : LOUDNESS ON - OFF
 - S3-1 : MODE STEREO - MONO ON - OFF
 - S3-2 : SUBSONIC ON - OFF
 - S3-3 : TONE ON - OFF
 - S4 : SPEAKERS OFF - A - B
 - S5 : POWER ON - OFF
- The underlined indicates the switch position.

This is the basic schematic diagram, but the actual circuit may vary due to improvements in design.



NOTE:

The indicated semiconductors are representative ones only. Other alternative semiconductors may be used and are listed in the parts list.

