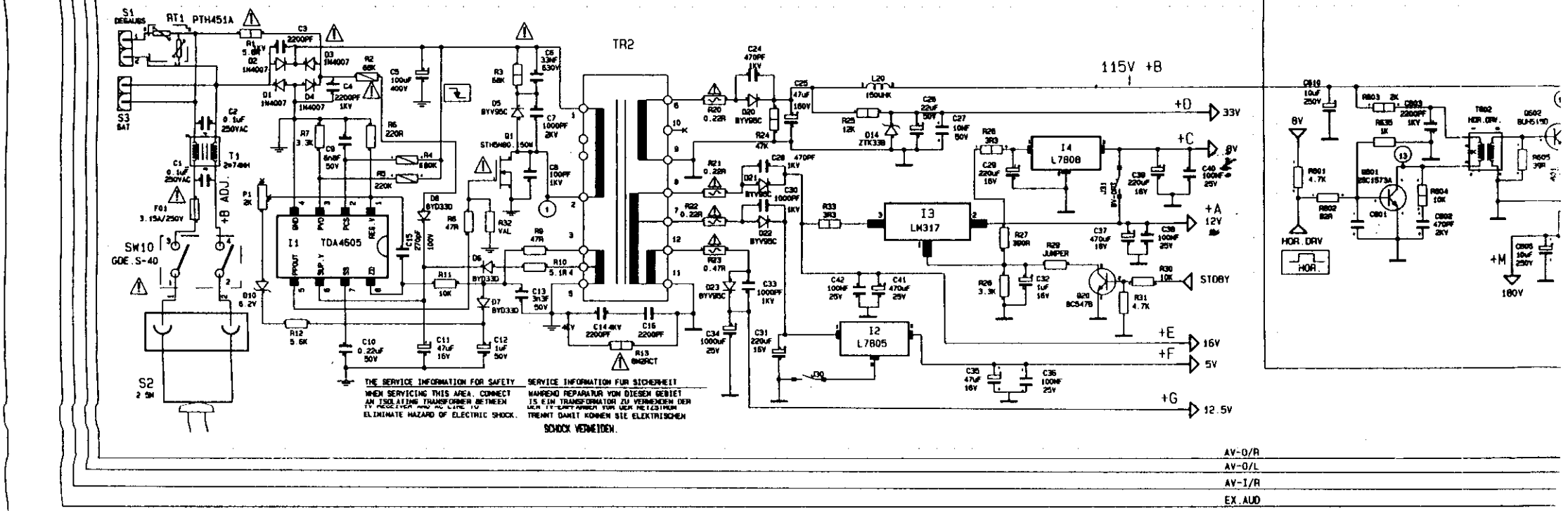
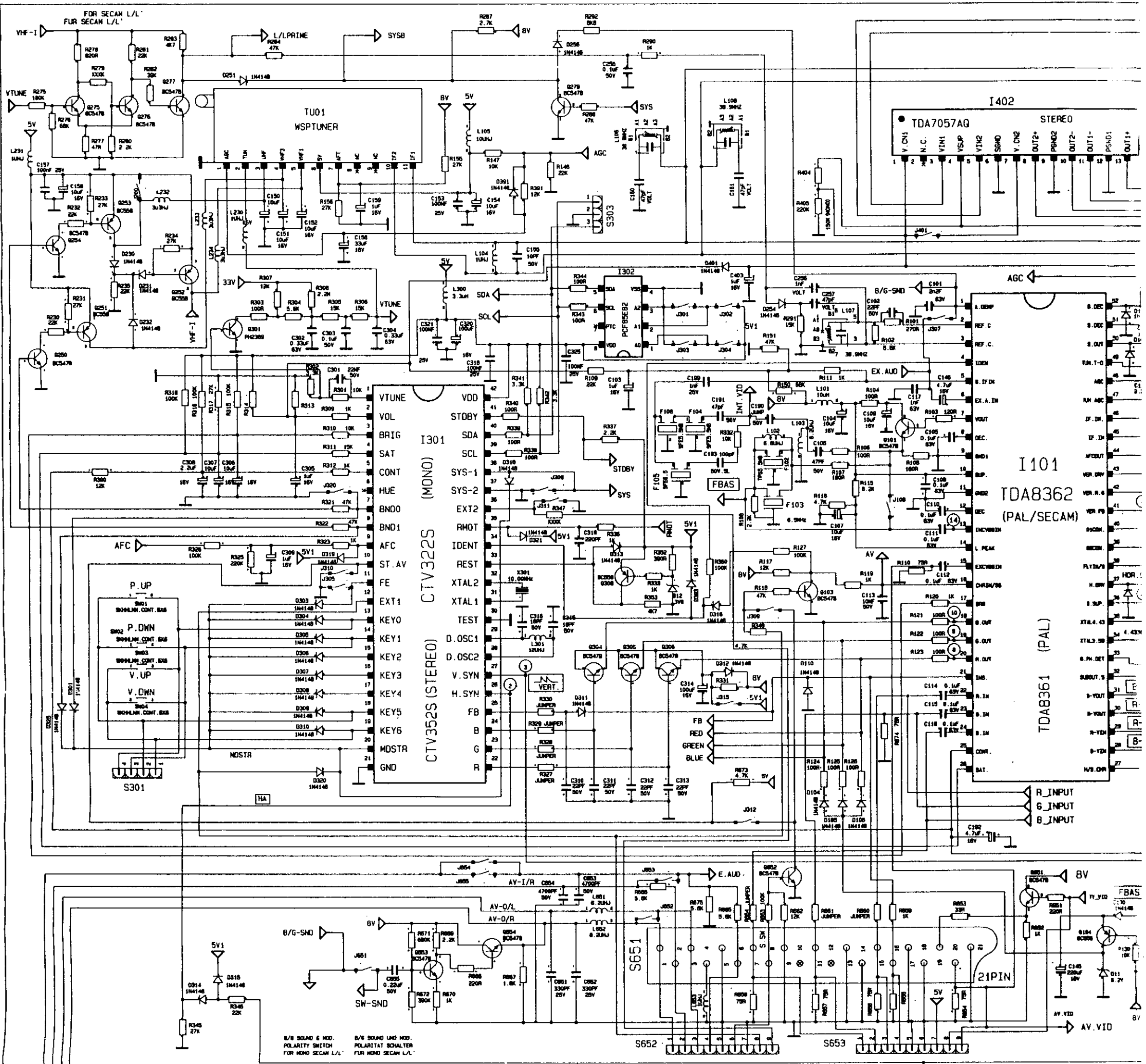


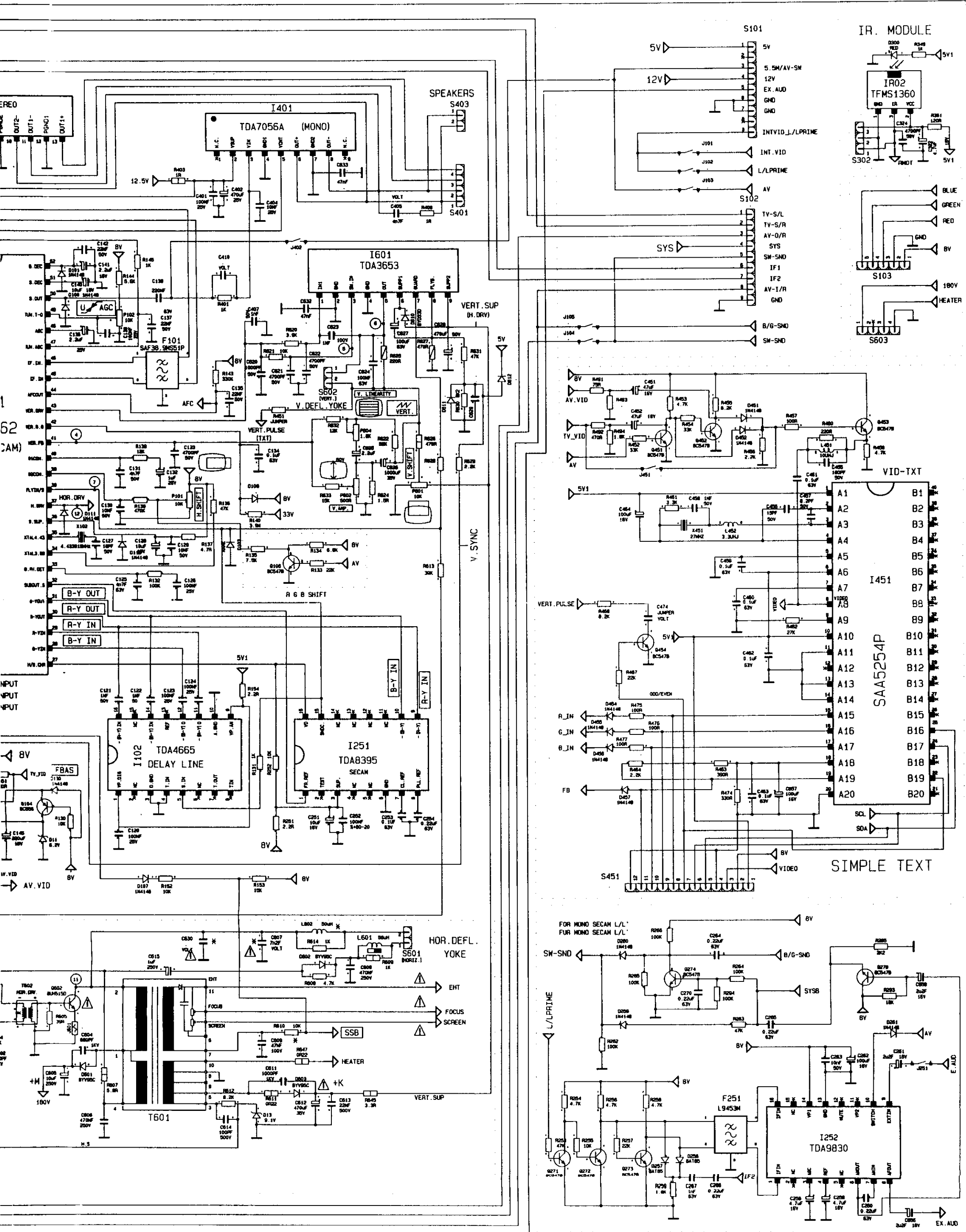
TELESTAR

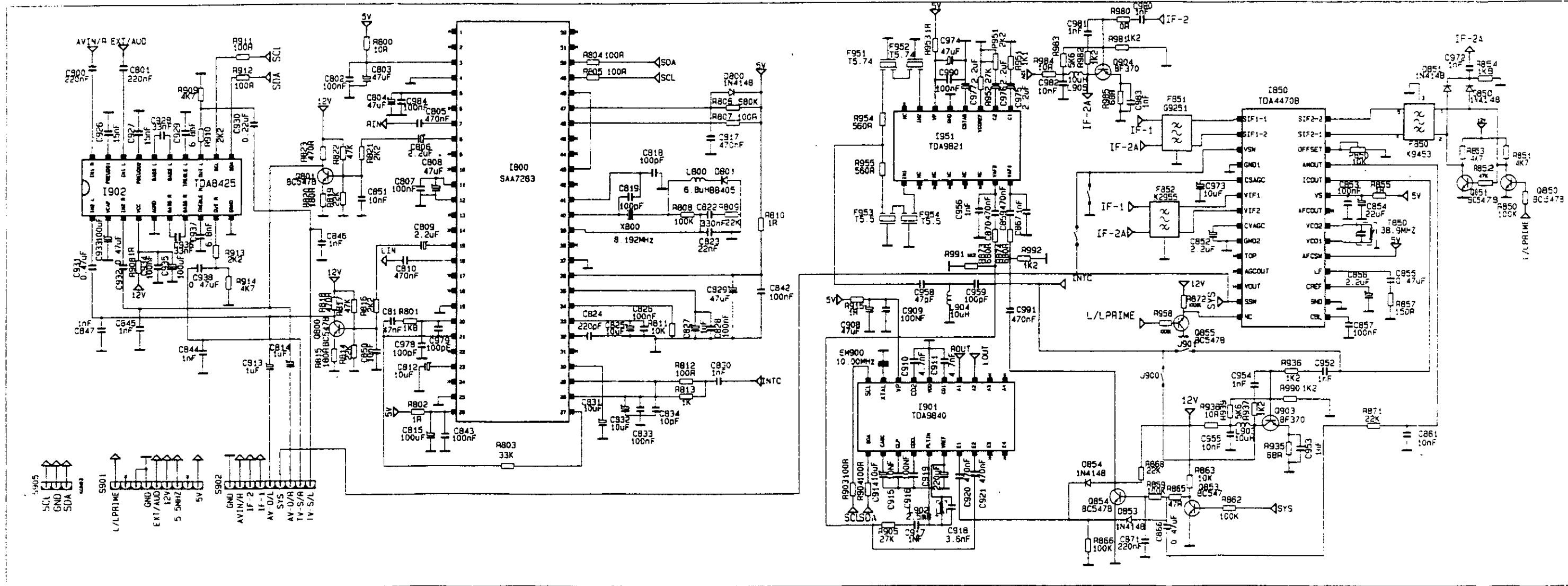
97TA012B

MODEL

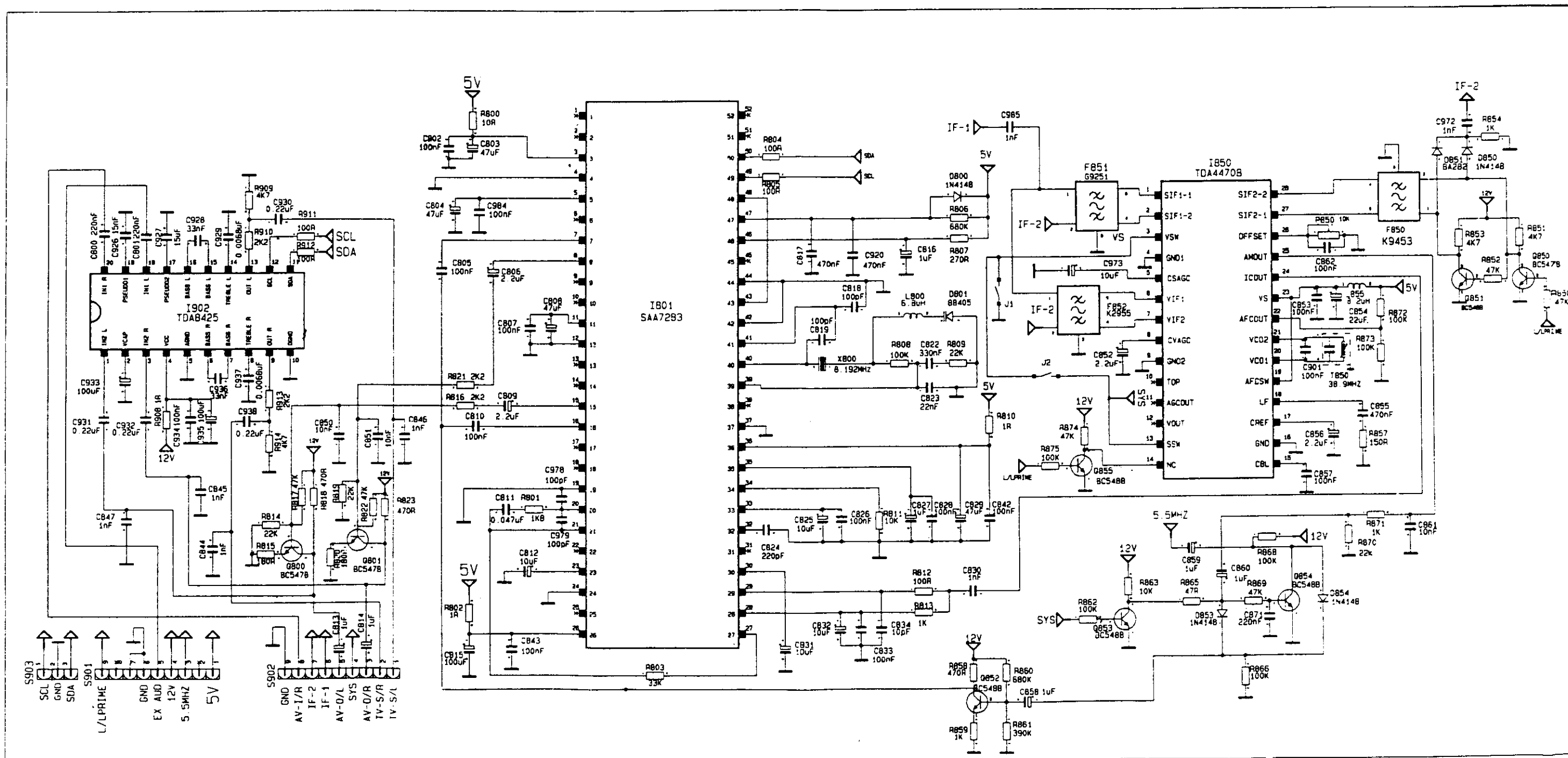
SERVICE MANUAL





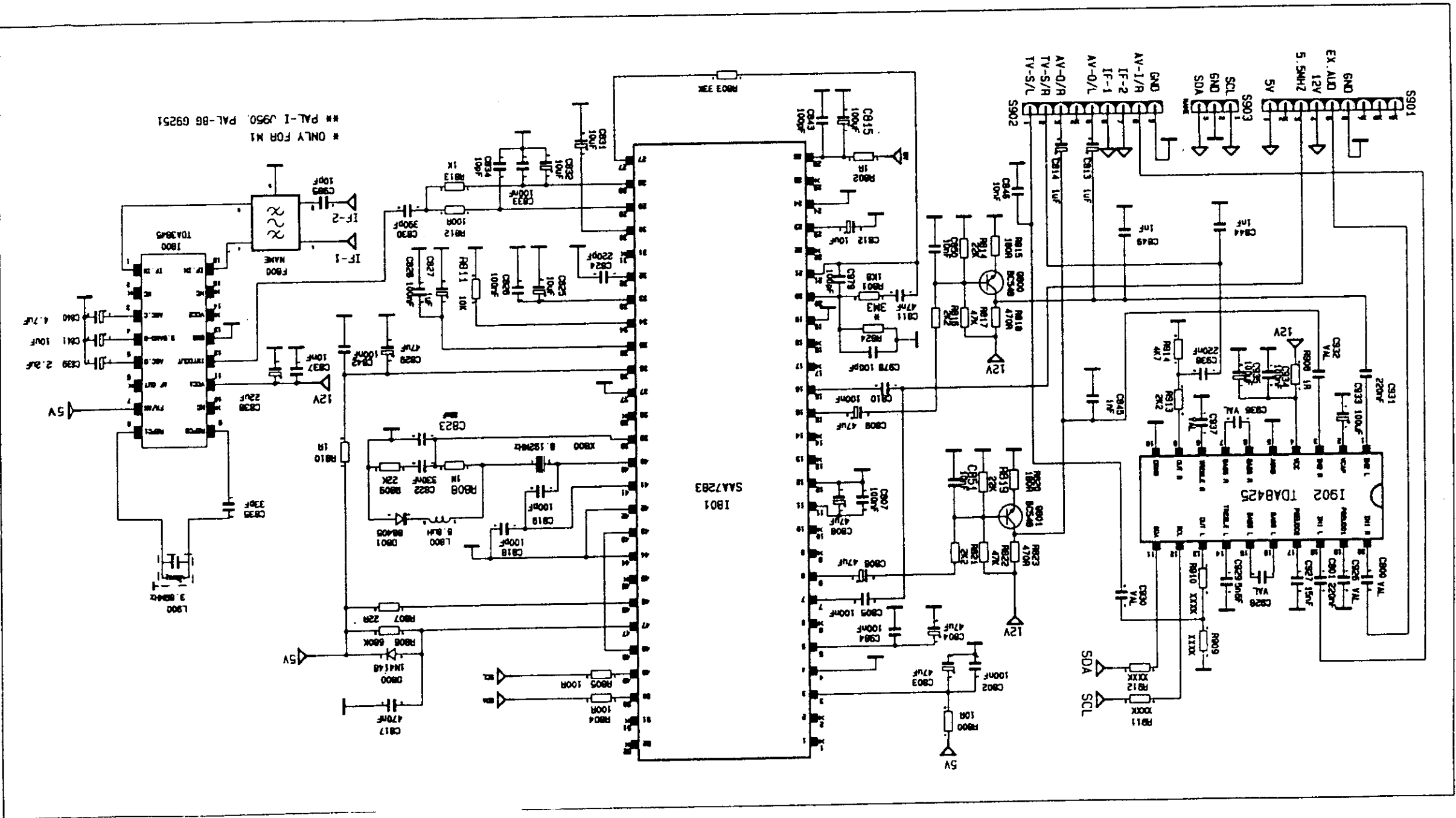


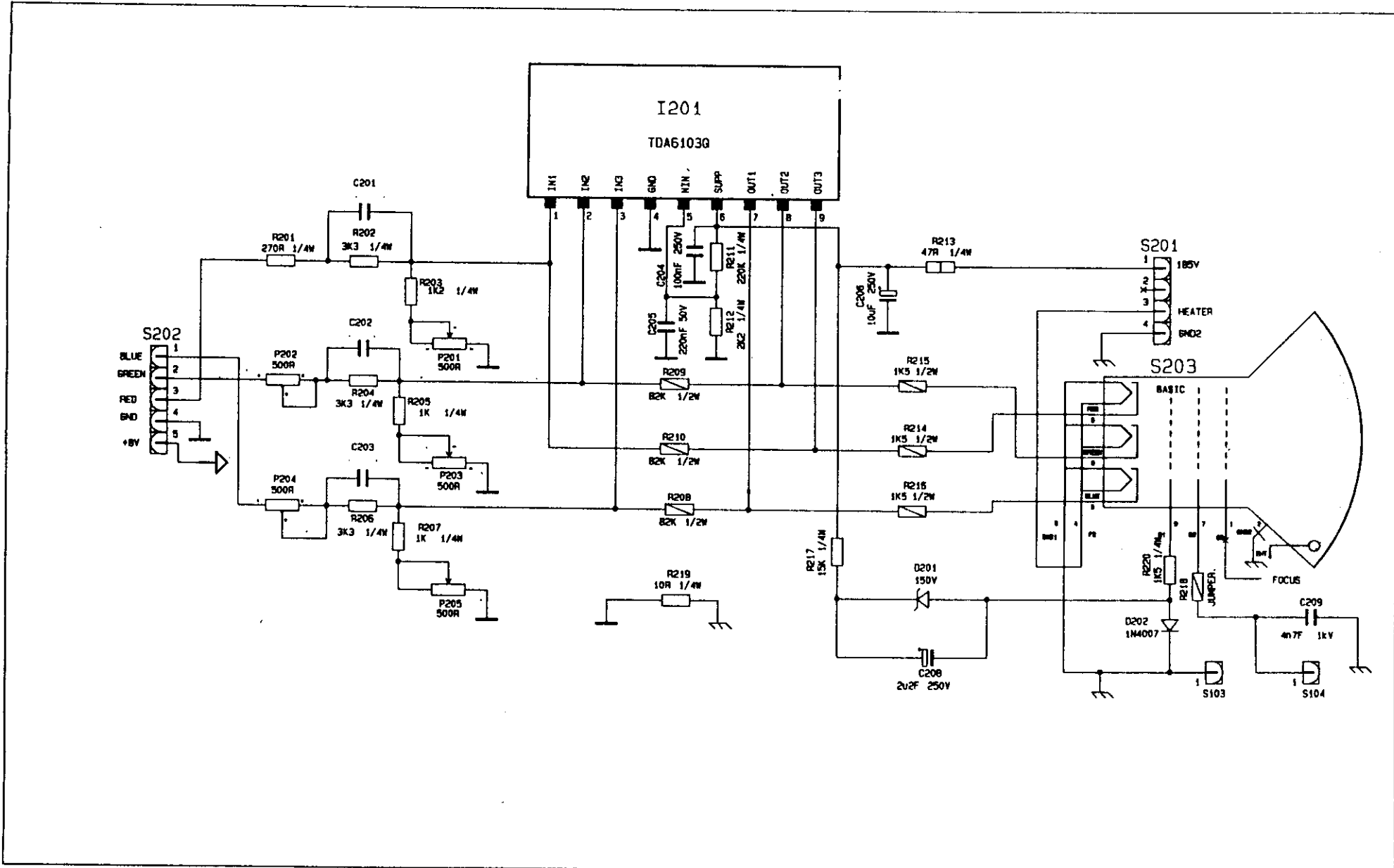
A2+NICAM L BOARD CIRCUIT DIAGRAM / A2+NICAM L BAUSTEIN SCHALTUNGSPLAN



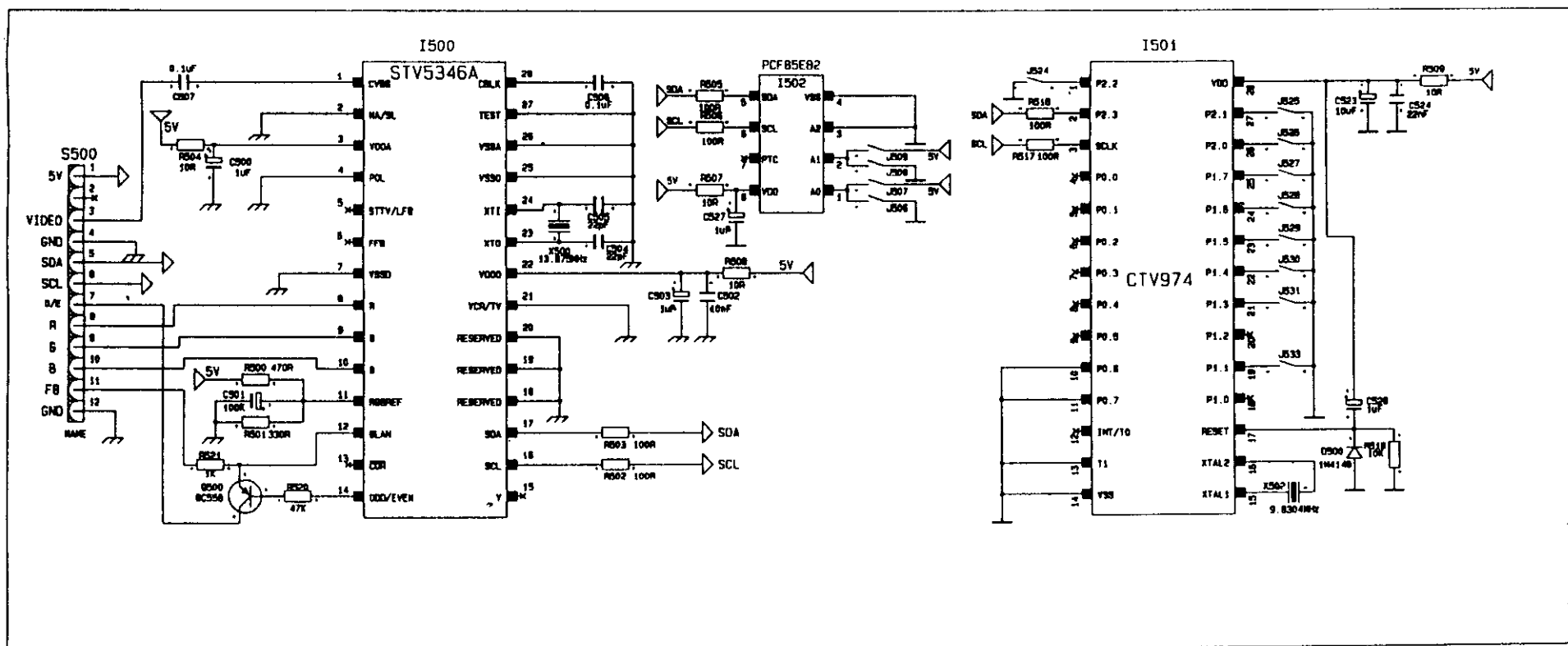
NICAM L BOARD CIRCUIT DIAGRAM / NICAM L BAUSTEIN SCHALTUNGSPLAN

NICAM BOARD CIRCUIT DIAGRAM / NICAM BAUSTEIN SCHALTUNGSPLAN

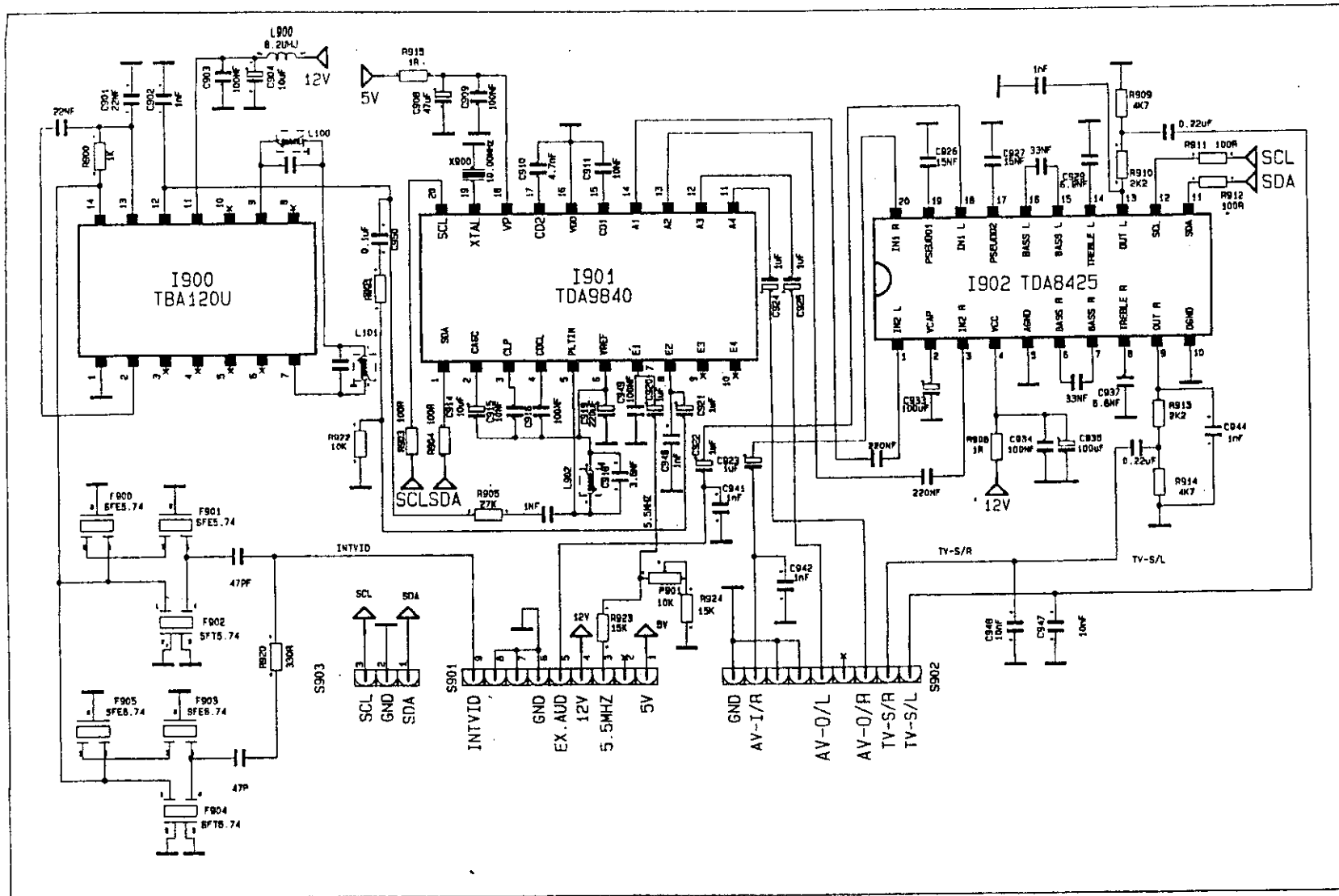




CRT BOARD CIRCUIT DIAGRAM / CRT BAUSTEIN SCHALTUNGSPLAN



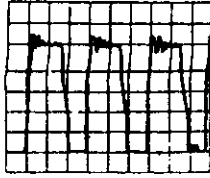
TELETEXT BOARD CIRCUIT DIAGRAM / TELETEXT BAUSTEIN SCHALTUNGSPLAN



GERMAN STEREO BOARD CIRCUIT DIAGRAM / GERMAN STEREO BAUSTEIN SCHALTUNGSPLAN

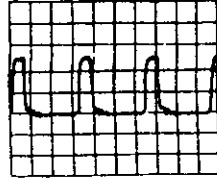
OSCILLOSCOPE SHAPES / OSZILLOGRAMME

1) 5 usn/div 100 volt/div



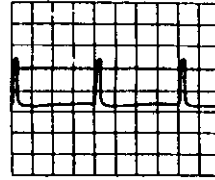
Drain of Q1

2) 20 usn/div 2volt/div



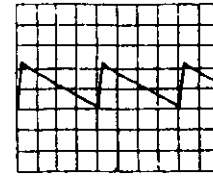
IC 301 pin 26

3) 5m sn/div 2volt/div



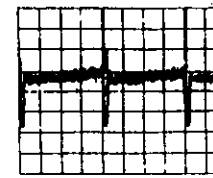
IC 301 pin 27

4) 5 msn/div 0,5 volt/div



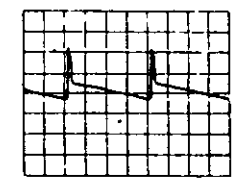
IC 101 pin 41

5) 5 msn/div 1 volt/div



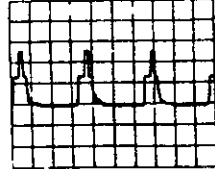
IC 601 pin 3

6) 5 msn/div 20 volt/div



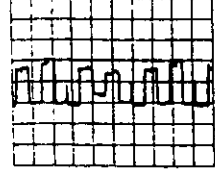
IC 601 pin 5

7) 20 usn/div 2 volt/div



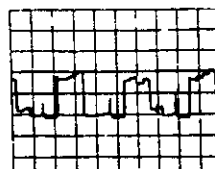
IC 101 pin 38

8) 20 usn/div 2 volt/div



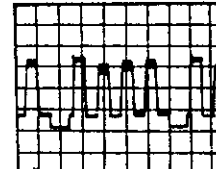
IC 101 pin 20

9) 20 usn/div 2 volt/div



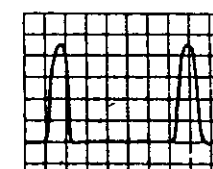
IC 101 pin 19

10) 10 usn/div 2 volt/div



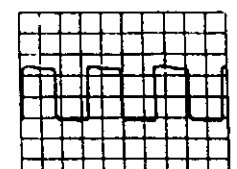
IC 101 pin 18

11) 10 usn/div 250 volt/div



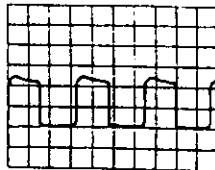
Collector of Q602

12) 20 usn/div 0.2 volt/div



IC 101 pin 37

13) 20 usn/div 50 volt/div



Collector of Q601

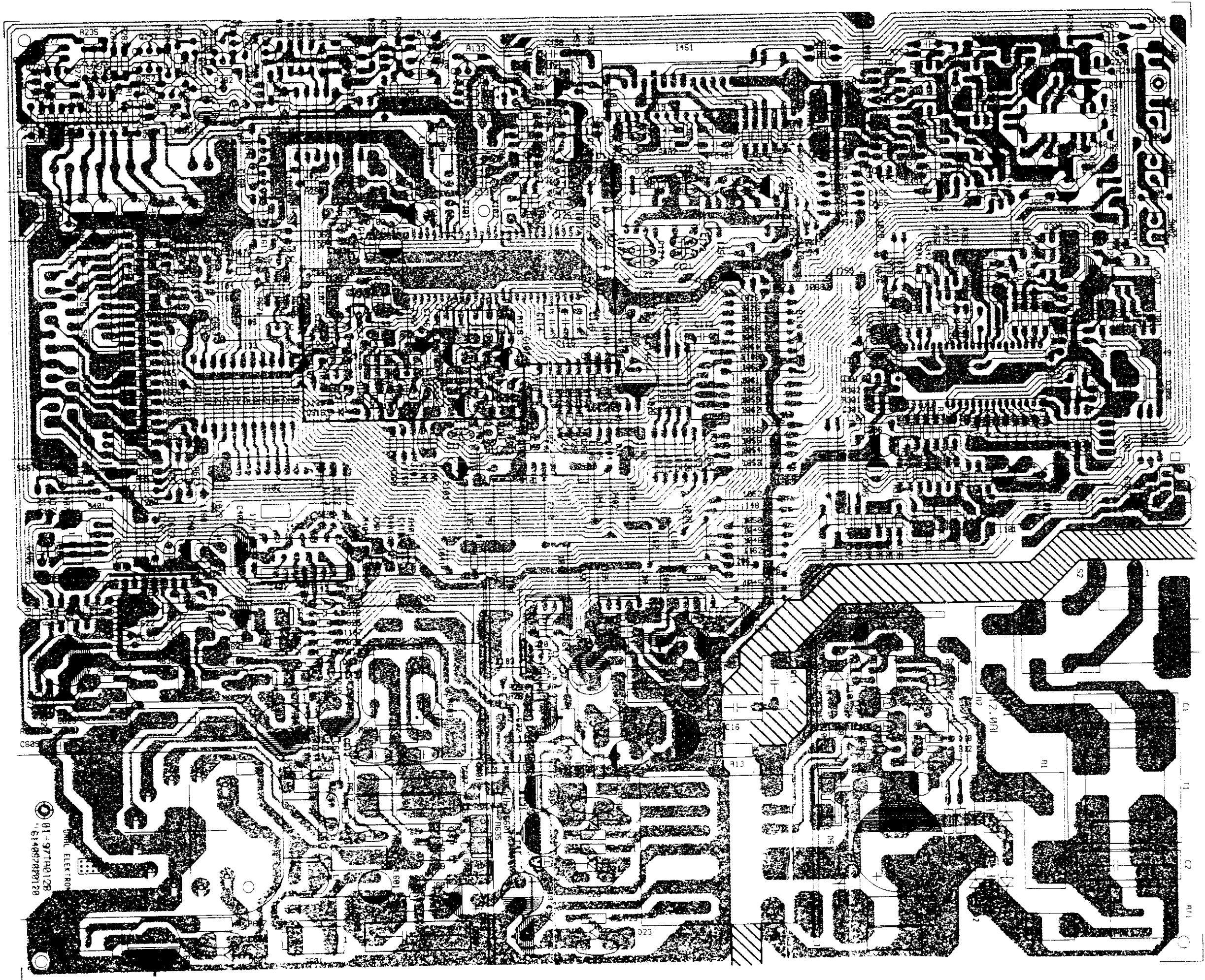
14) 20 usn/div 1 volt/div



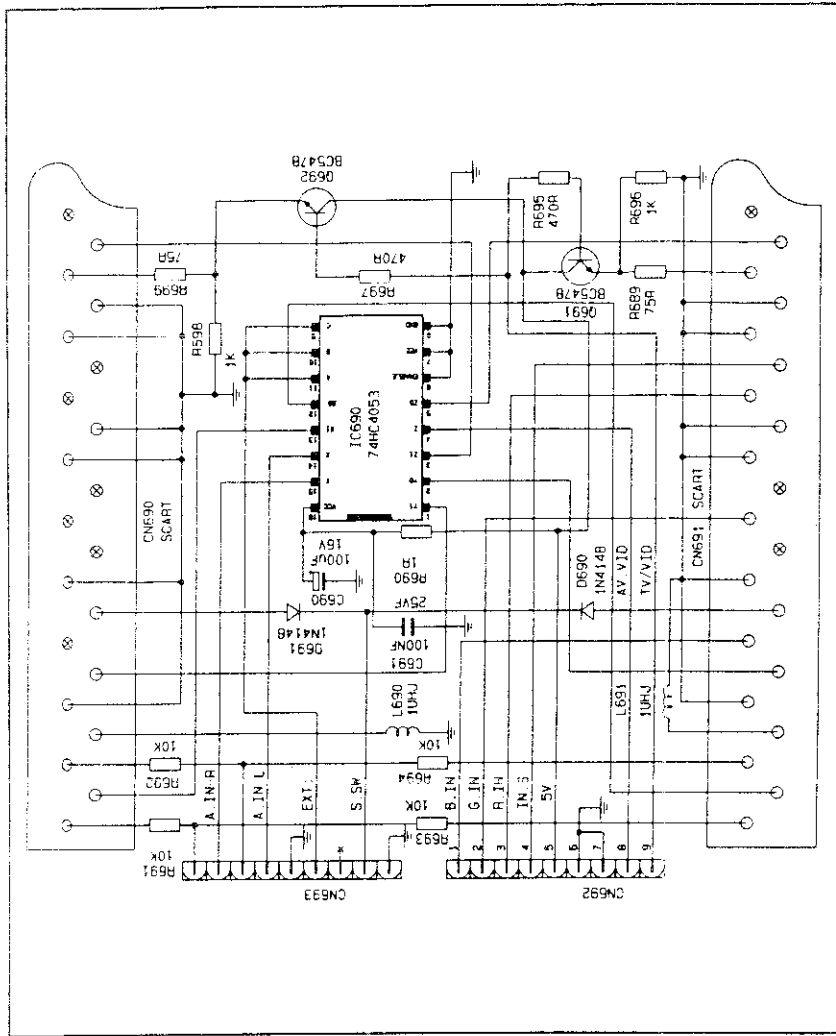
IC 101 pin 13

ALL RIGHTS RESERVED

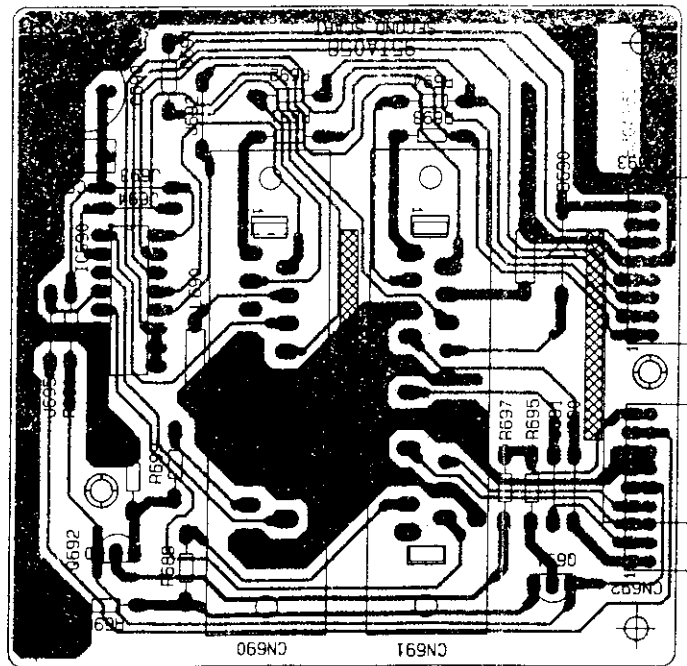
065 031 000 790



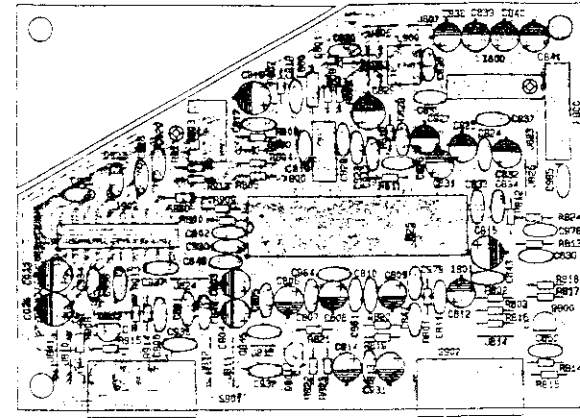
MAIN CHASSIS BOARD / CHASSISPLATE



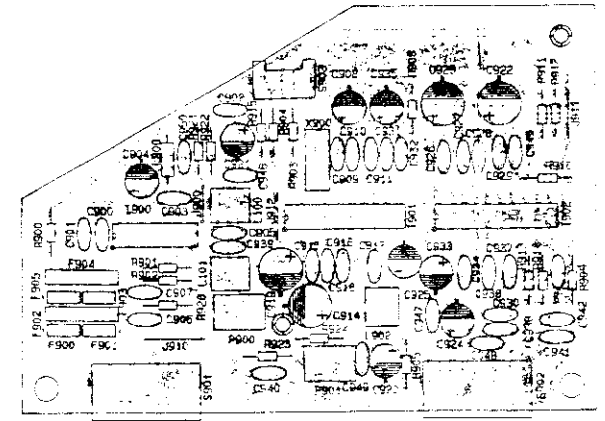
DOUBLE SCART BOARD CIRCUIT DIAGRAM / DOPPEL - SCART BAUSTEIN SCHALTUNGSPLAN



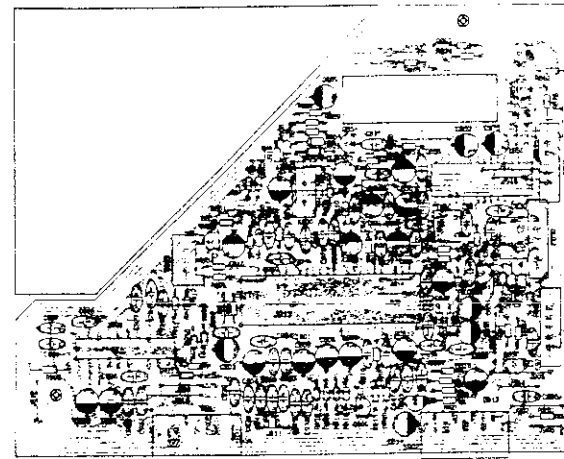
DOUBLE SCART BOARD / DOPPEL - SCART BAUSTEIN



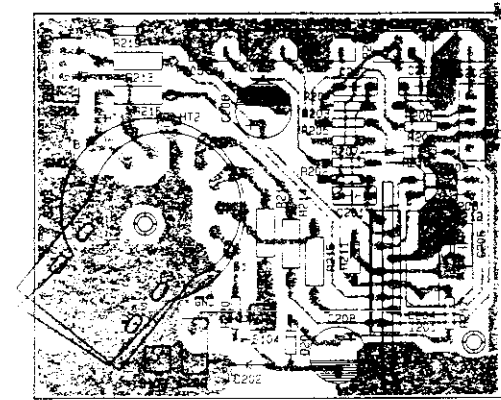
NICAM BOARD / NICAM BAUSTEIN



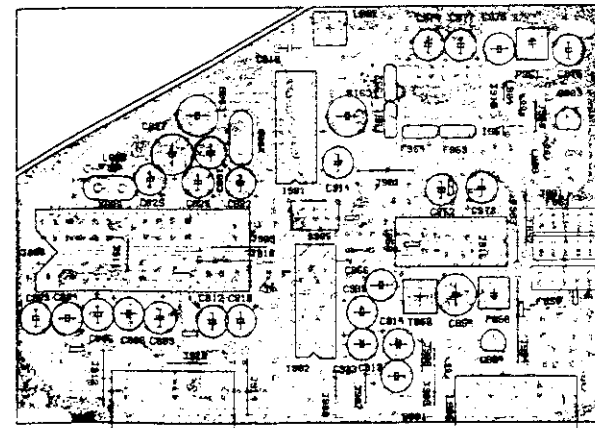
GERMAN STEREO BOARD / GERMAN STEREO BAUSTEIN



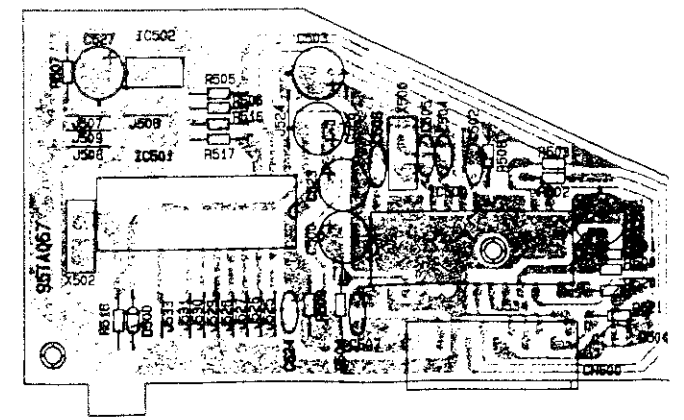
NICAM L BOARD / NICAM L BAUSTEIN



CRT BOARD / CRT BAUSTEIN



A2+NICAM L BOARD / A2+NICAM L BAUSTEIN



FASTEXT BOARD / FASTEXT BAUSTEIN