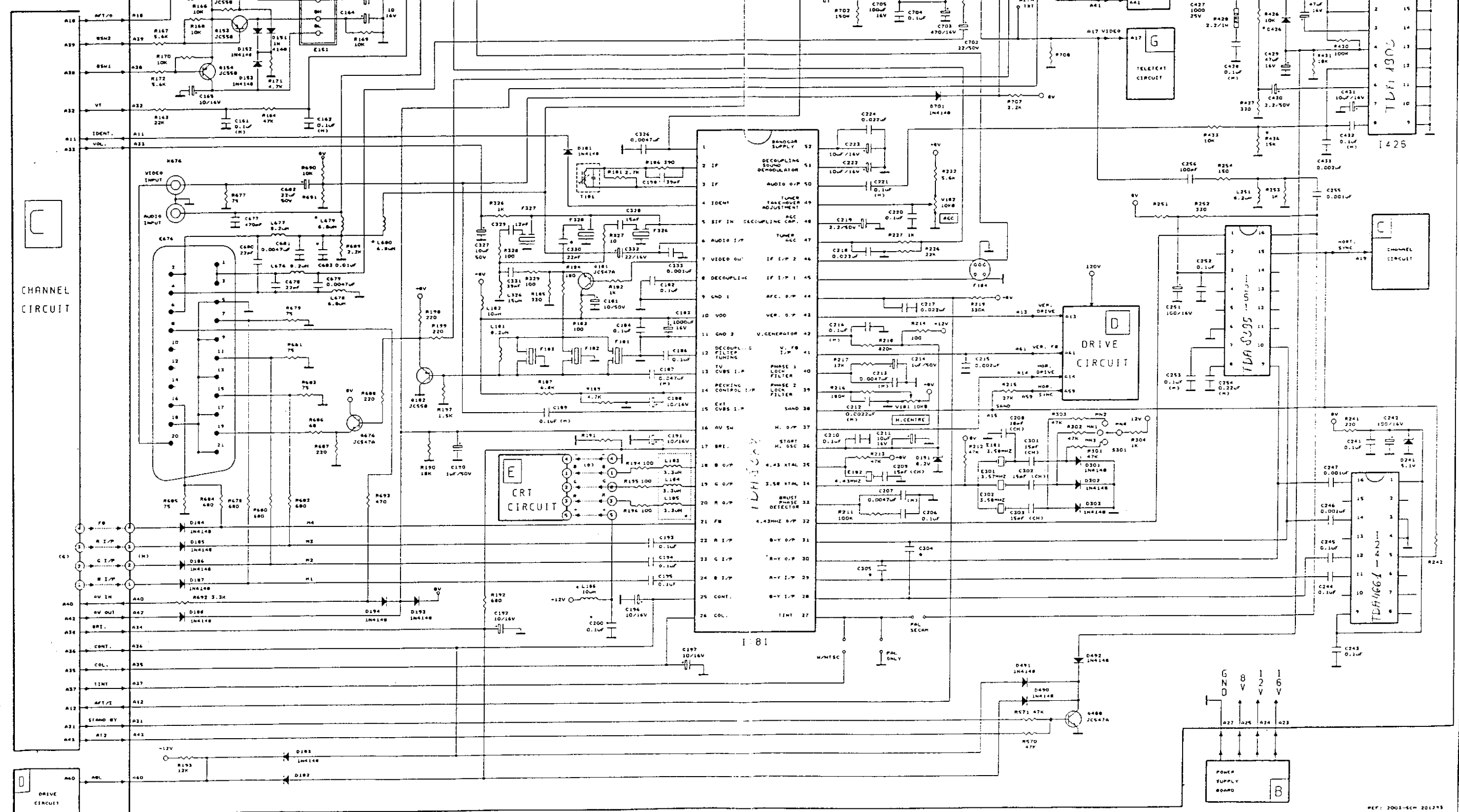


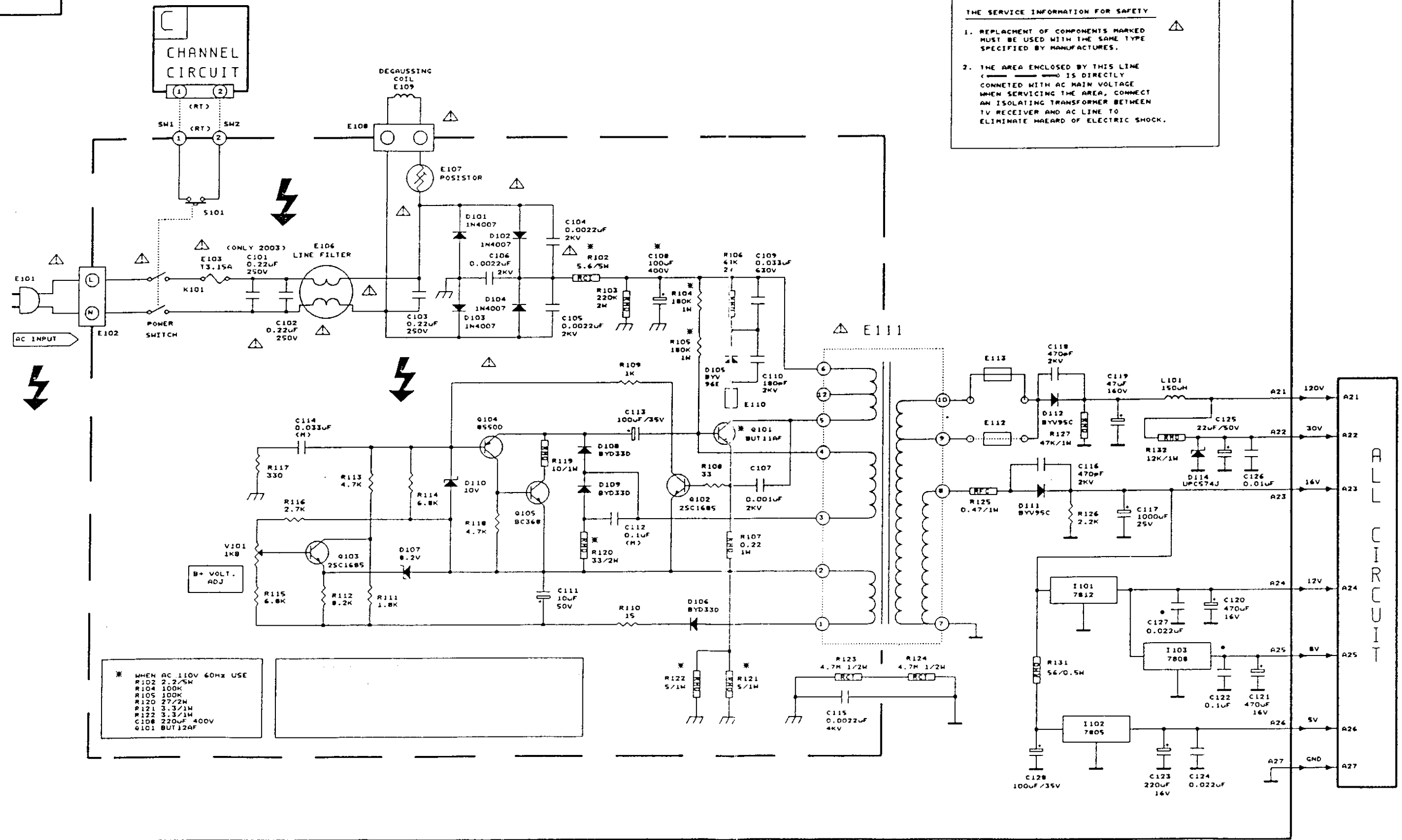
150 OHM FOR NON-FTZ STANDARD.  
 C320 220P FOR I, H & BC SYSTEM.  
 200P FOR BC/OK SYSTEM.  
 C155 102P FOR I, H, BC SYSTEM.  
 100P FOR BC/OK SYSTEM.  
 USED FOR SECAM L SYSTEM.  
 USED IN FTZ SYSTEM.  
 \* L679 L680 C483 L186 C200  
 C436 D426 D427 R424 R425  
 R426 200S ONLY.  
 © C204 C305 R424 140S ONLY.

3. TO MAKE INSULATION RESISTANCE MEASUREMENT BETWEEN POWER SUPPLY AND EXPOSED (ACCESSIBLE) METAL PARTS BEFORE RETURNING EQUIPMENT TO THE CUSTOMER TO DETERMINE APPROPRIATE RESISTANCE VALUE SPECIFIED BY MANUFACTURER: 1M OHM/500V DC.



B

# 2003 POWER SUPPLY CIRCUIT

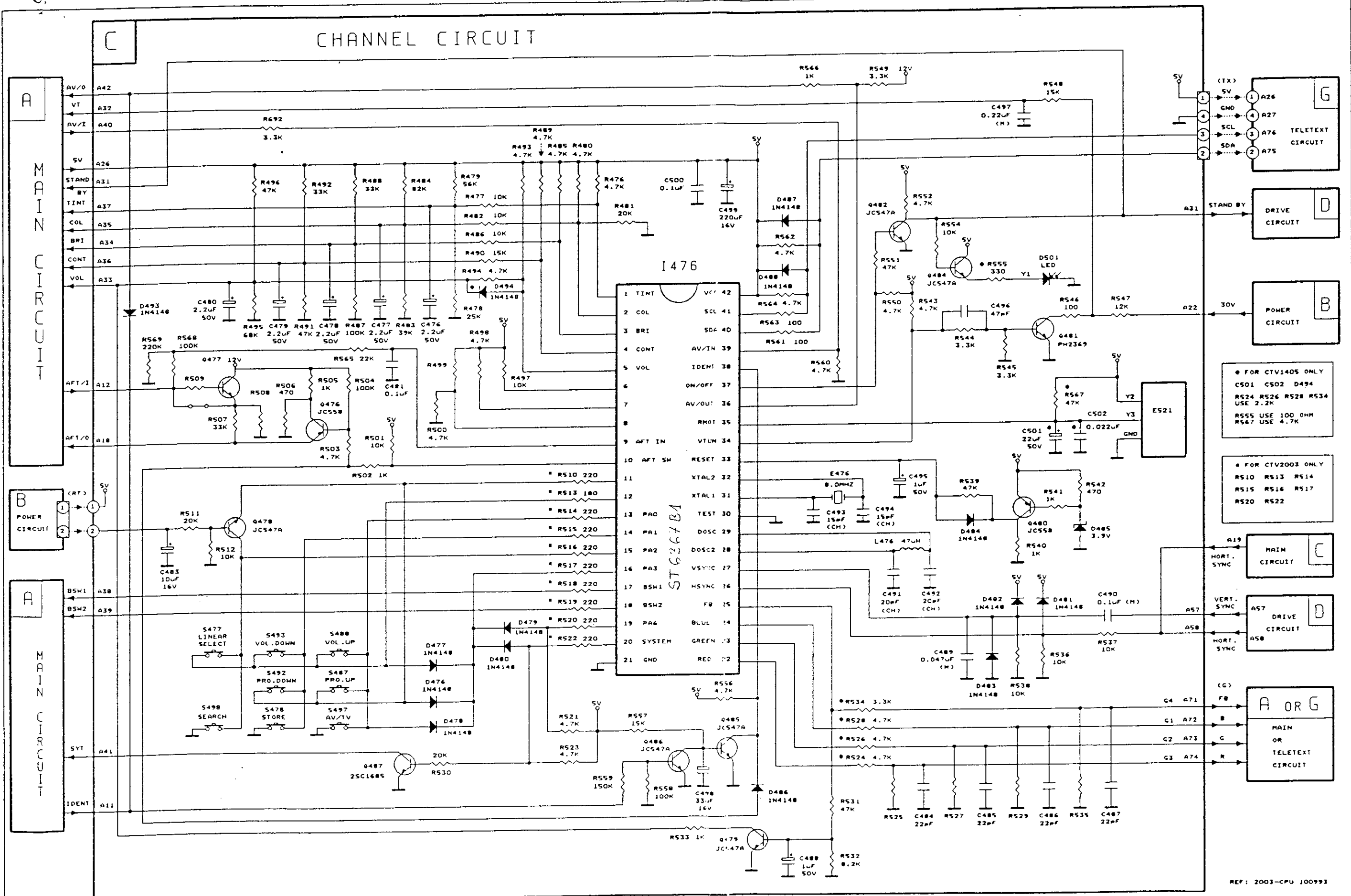


**THE SERVICE INFORMATION FOR SAFETY**

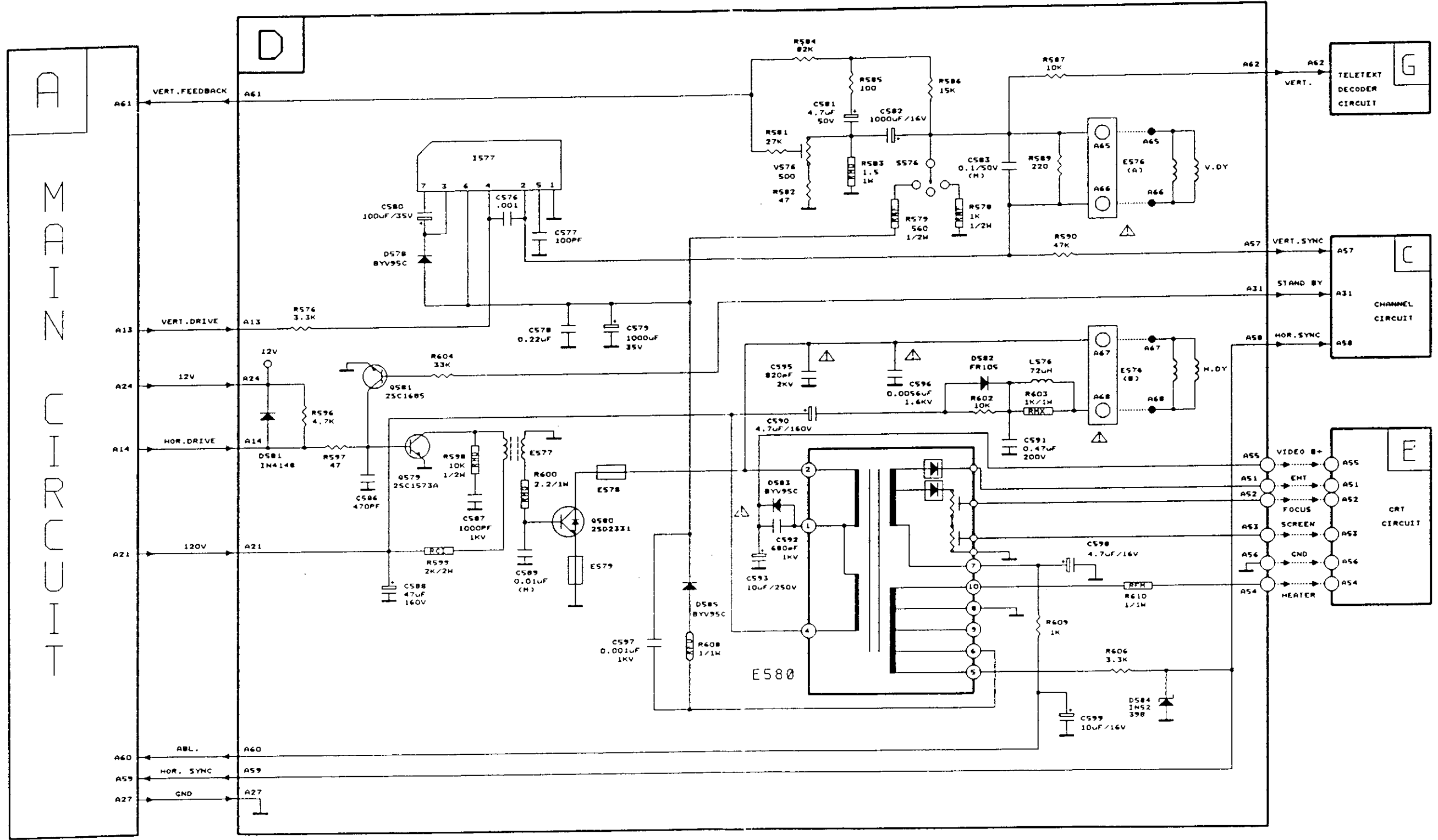
1. REPLACEMENT OF COMPONENTS MARKED WITH THIS SYMBOL (⚠) MUST BE USED WITH THE SAME TYPE SPECIFIED BY MANUFACTURERS.
2. THE AREA ENCLOSED BY THIS LINE (—) IS DIRECTLY CONNECTED WITH AC MAIN VOLTAGE. WHEN SERVICING THE AREA, CONNECT AN ISOLATING TRANSFORMER BETWEEN TV RECEIVER AND AC LINE TO ELIMINATE HAZARD OF ELECTRIC SHOCK.

\* WHEN AC 110V 60HZ USE  
 R102 2.2/5W  
 R104 100K  
 R105 100K  
 R120 27/2W  
 R121 3.3/1W  
 R122 3.3/1W  
 C108 220UF 400V  
 Q101 BUT12AF

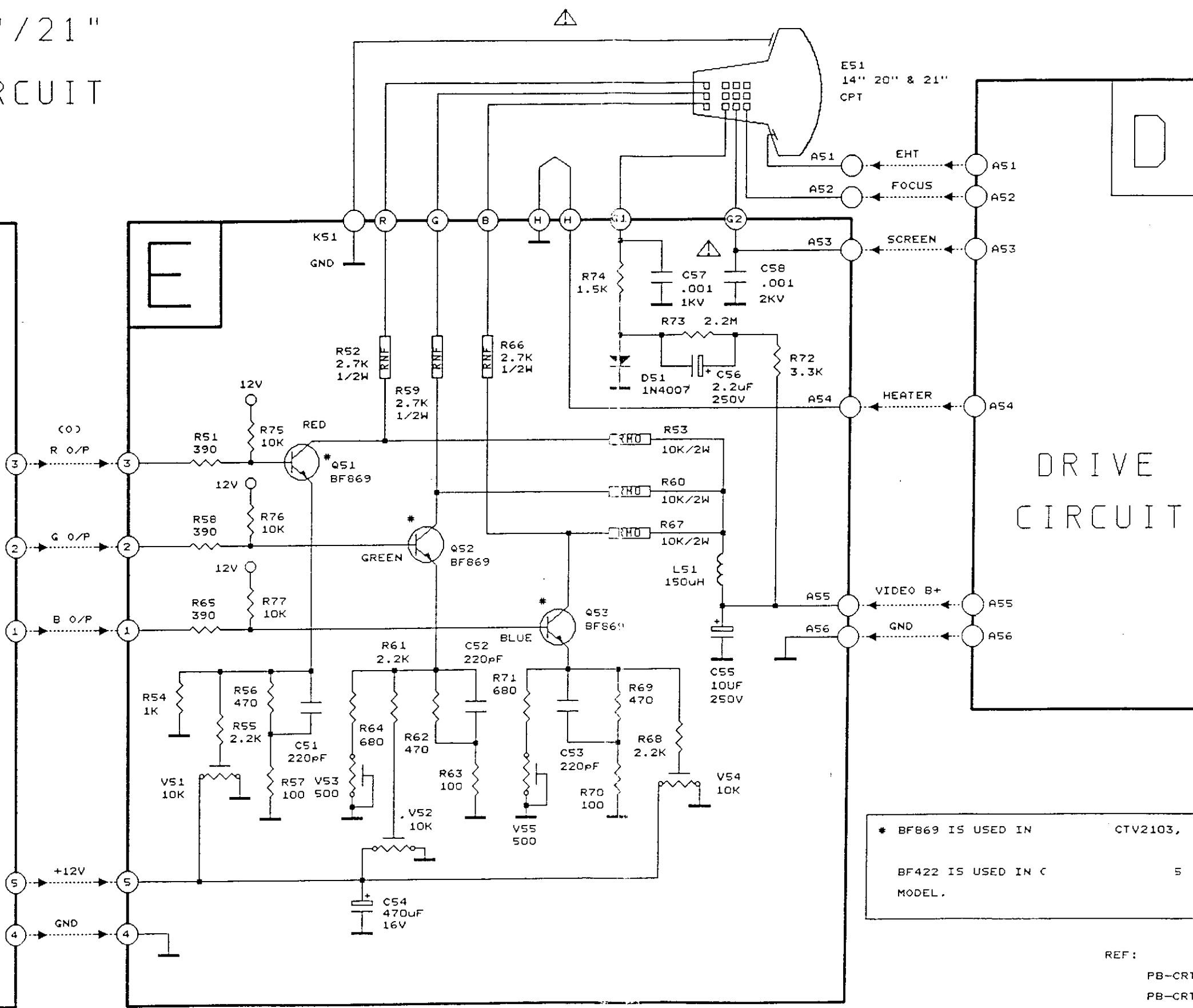
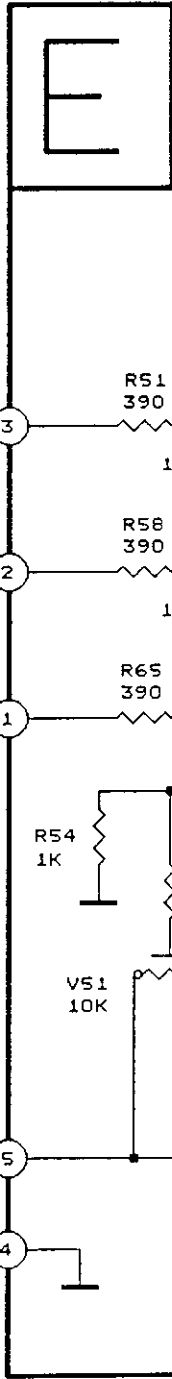
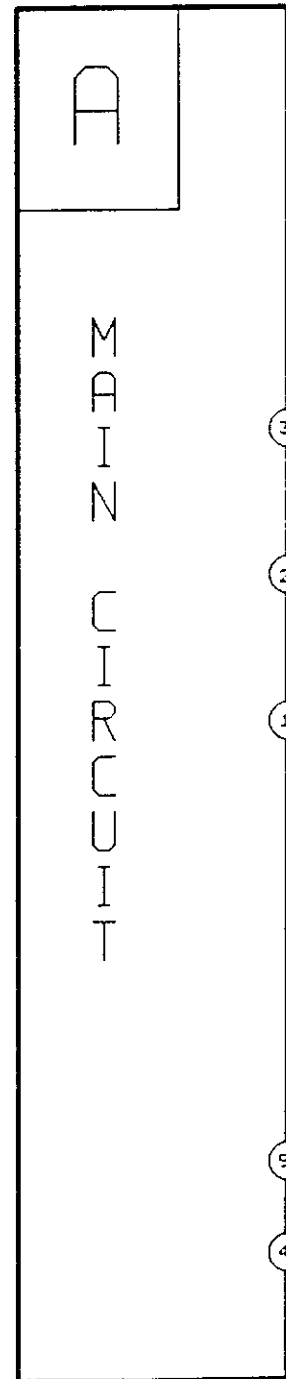
# CHANNEL CIRCUIT



# DRIVE CIRCUIT



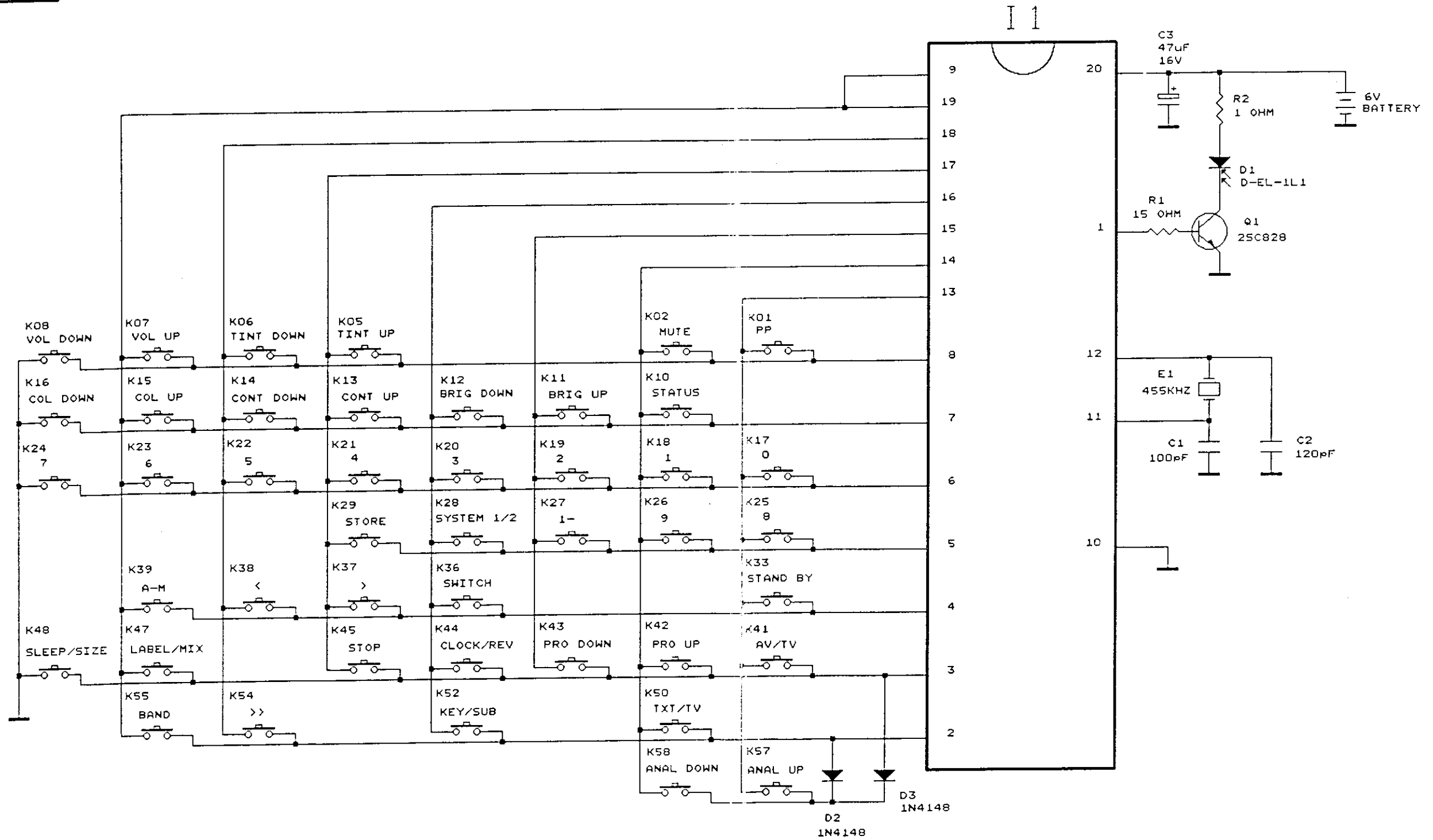
# 20"/21" CRT CIRCUIT



\* BF869 IS USED IN CTV2103,  
 BF422 IS USED IN C 5  
 MODEL.

REF:  
 PB-CRT-14-V1  
 PB-CRT-20-V1

# F HANDSET CIRCUIT ( PB-HS-SGS )



# COMPONENT DIAGRAM

## COMPONENT SIDE

