

Layout diagram of radio

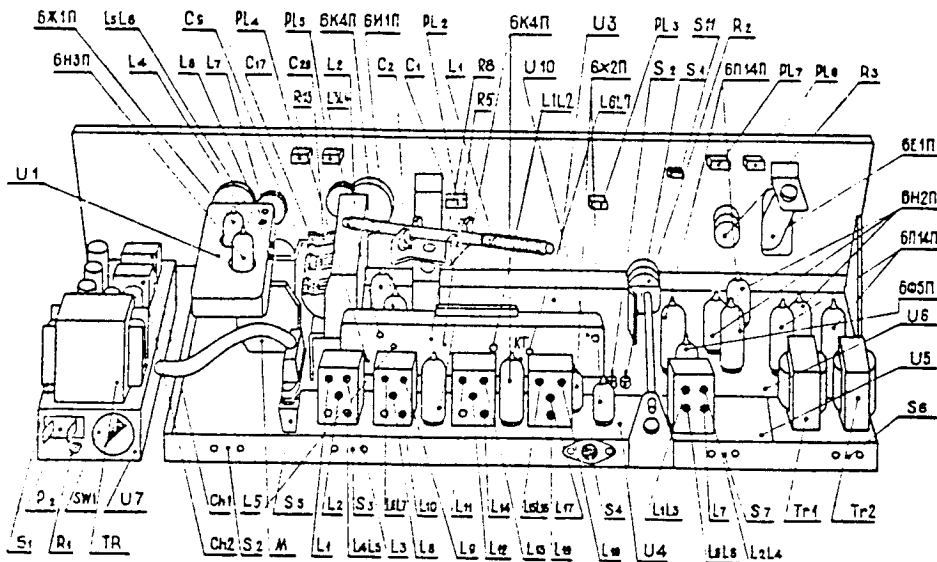
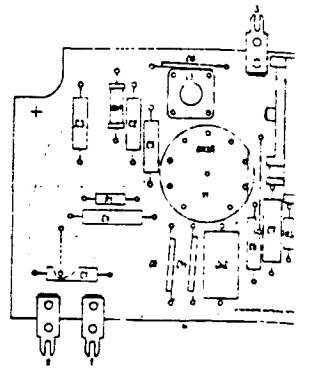


fig. 2



fig

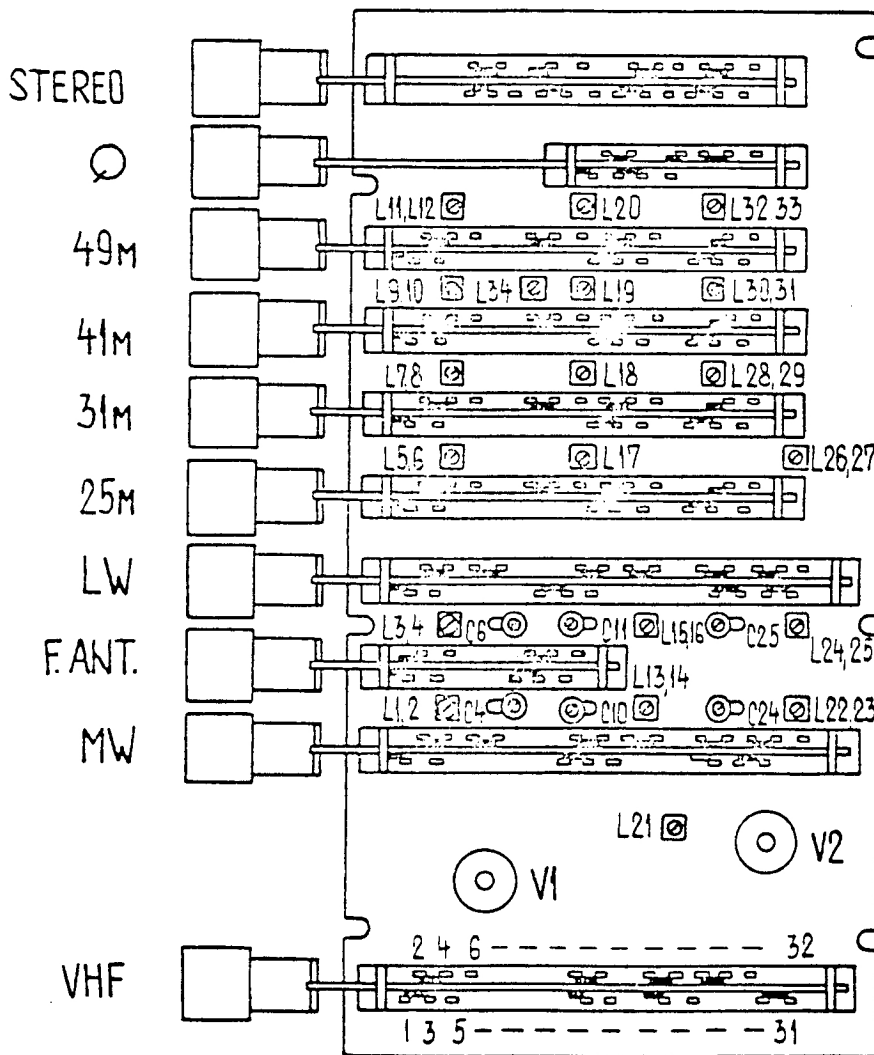
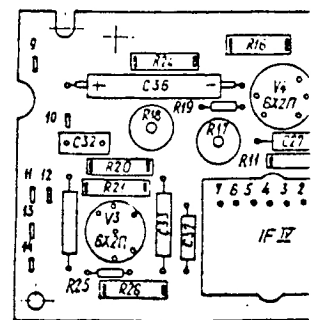
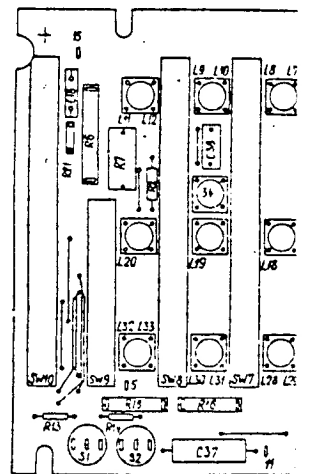


fig. 3



Layout diagram of radiophonograph «Rigonda-Bolst

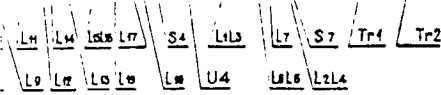
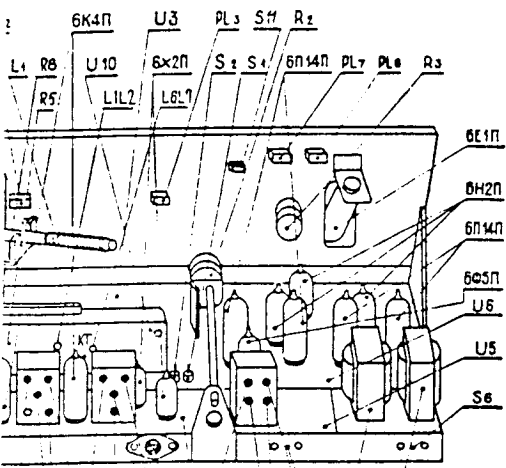


fig. 2

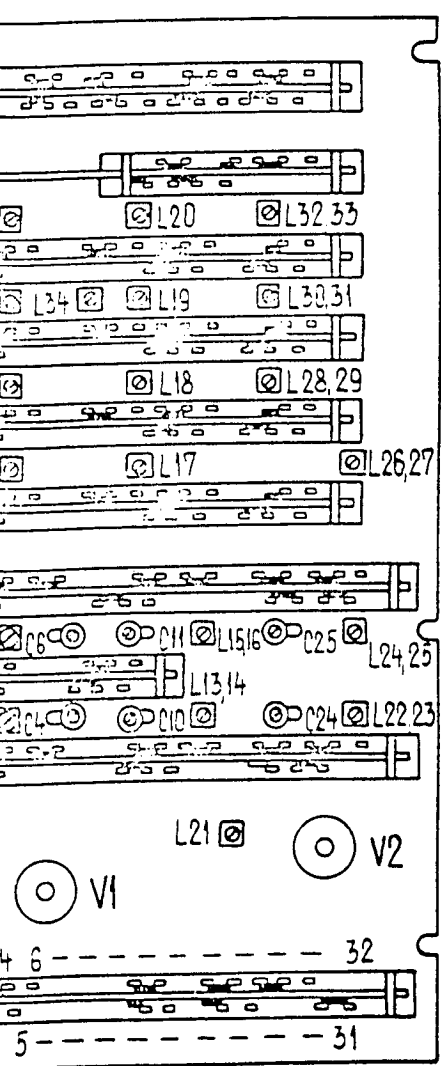


fig. 3

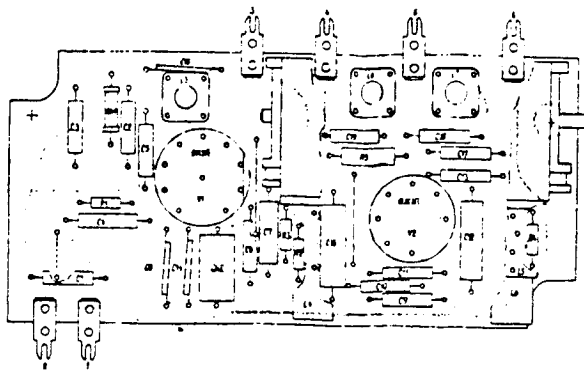


fig. 4

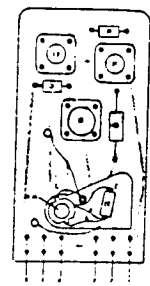


fig. 7



fig. 8

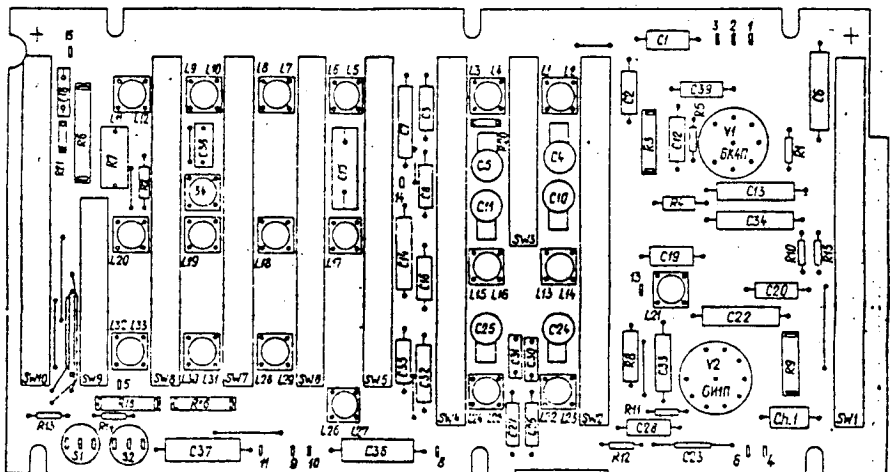


fig. 5

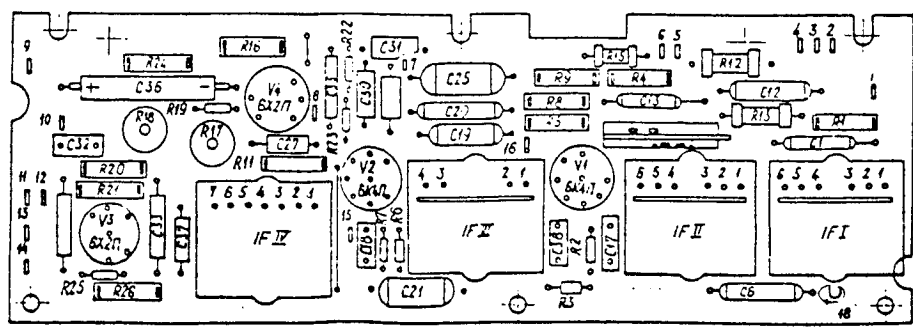


fig. 6

monograph «Rigonda-Bolshoi»

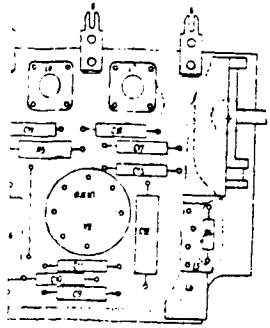


fig. 7

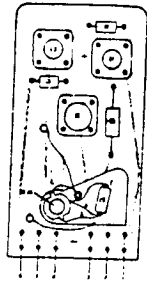


fig. 8

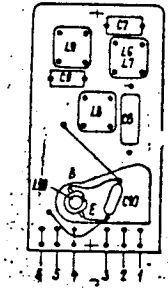


fig. 9

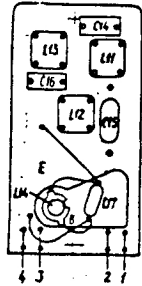


fig. 10

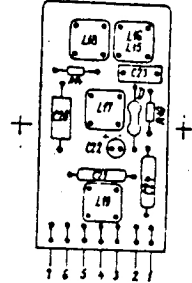


fig. 11

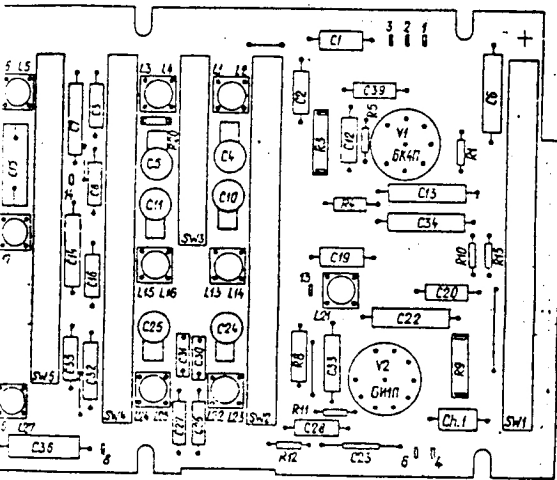


fig. 5

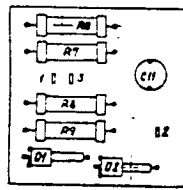


fig. 12

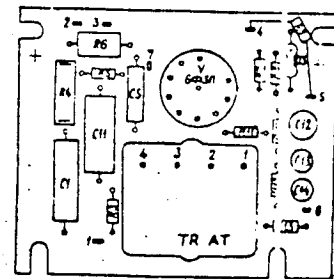


fig. 13

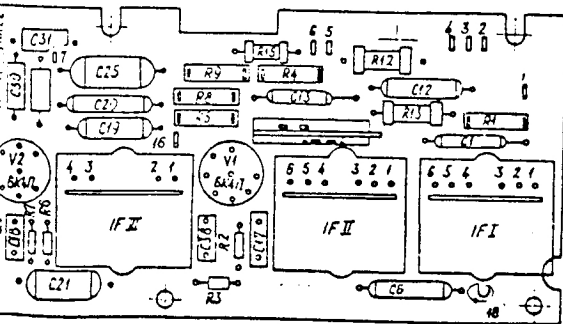
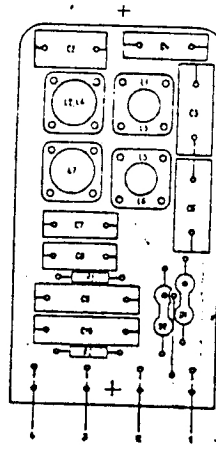


fig. 6



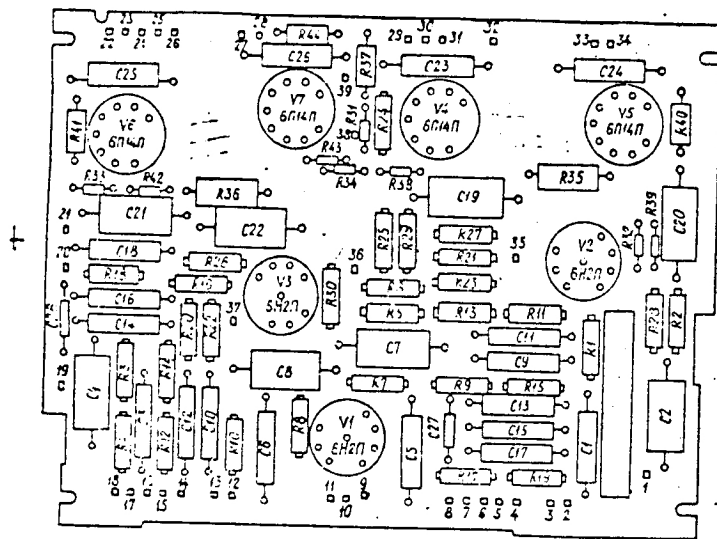


fig. 15

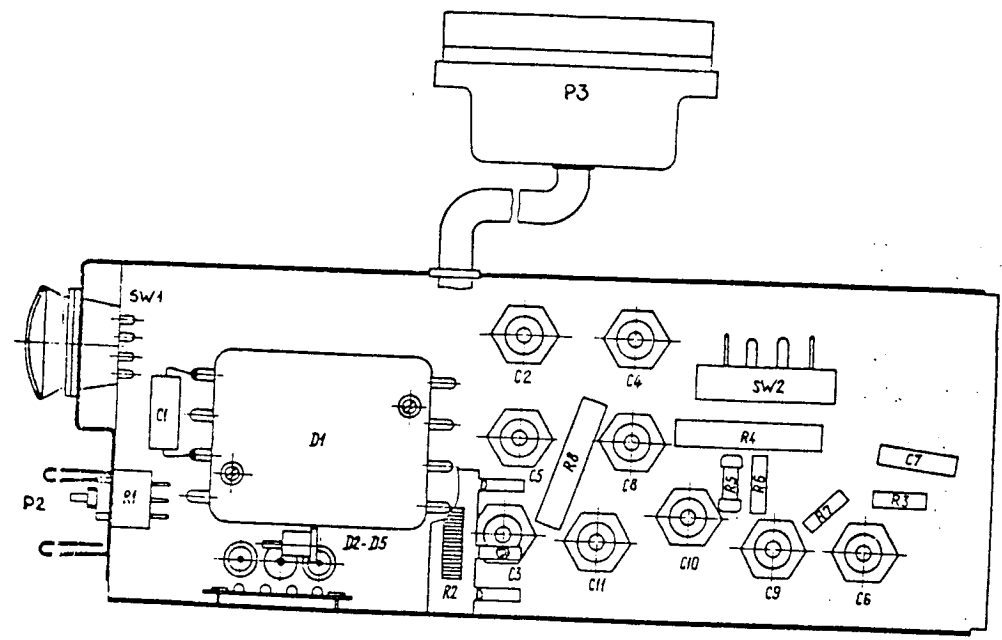


fig. 16

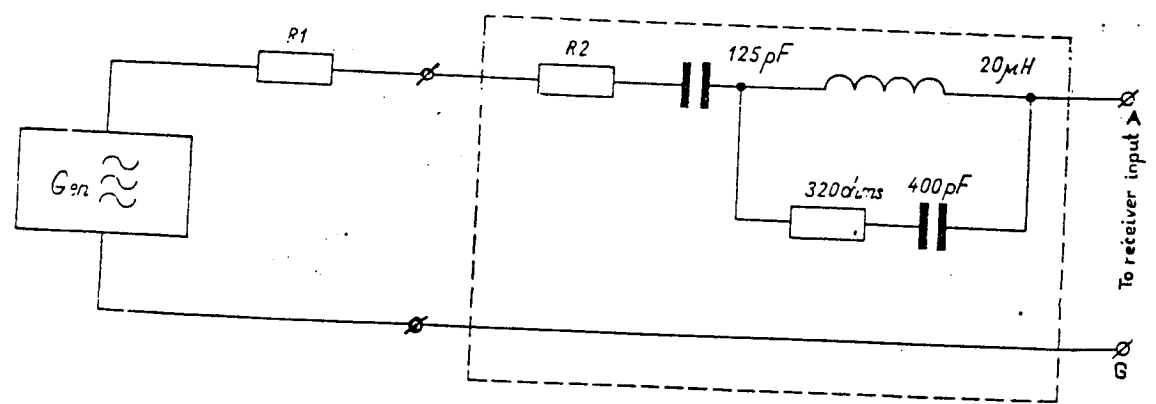


fig. 17

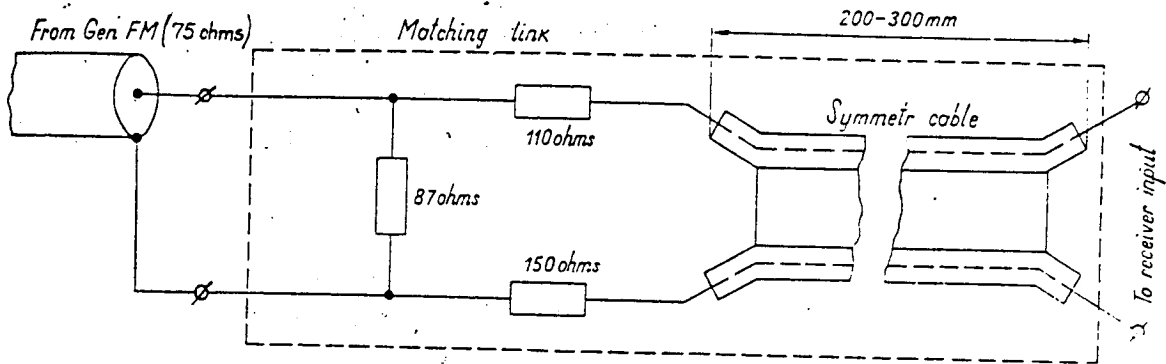


fig. 18

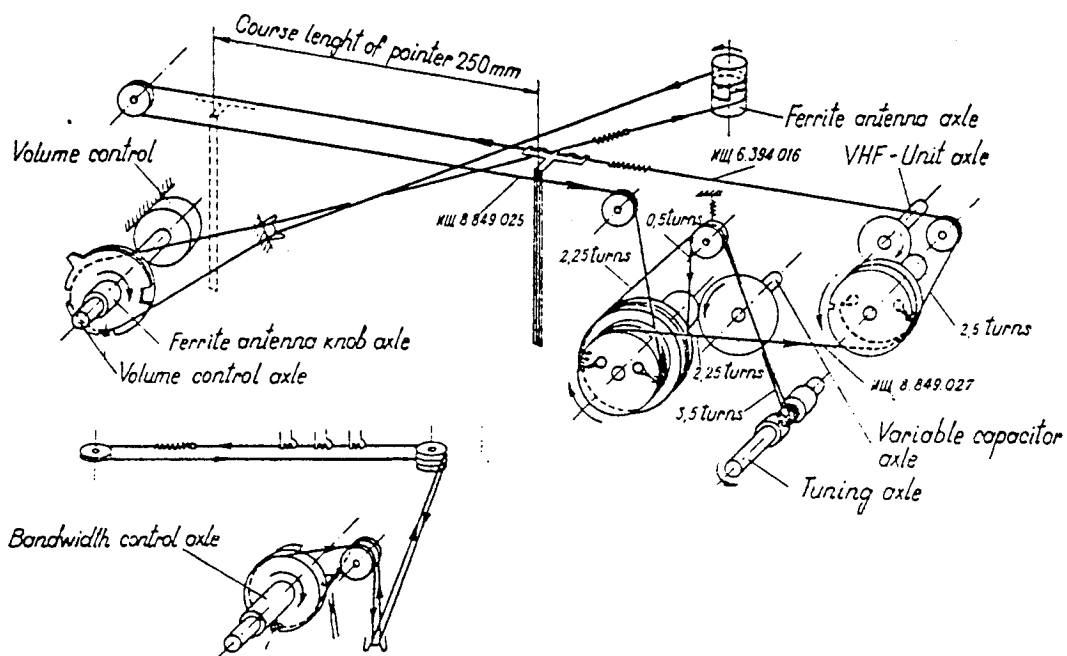


fig. 19

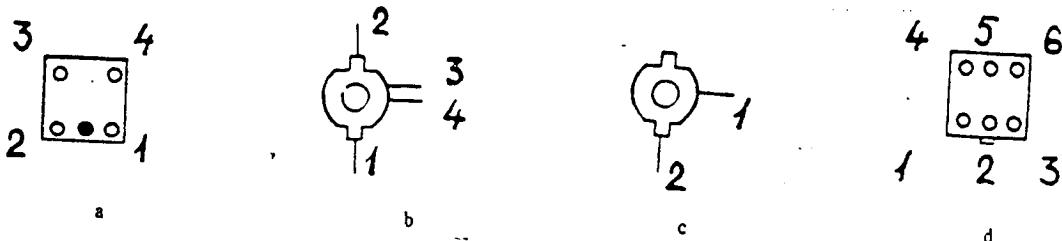
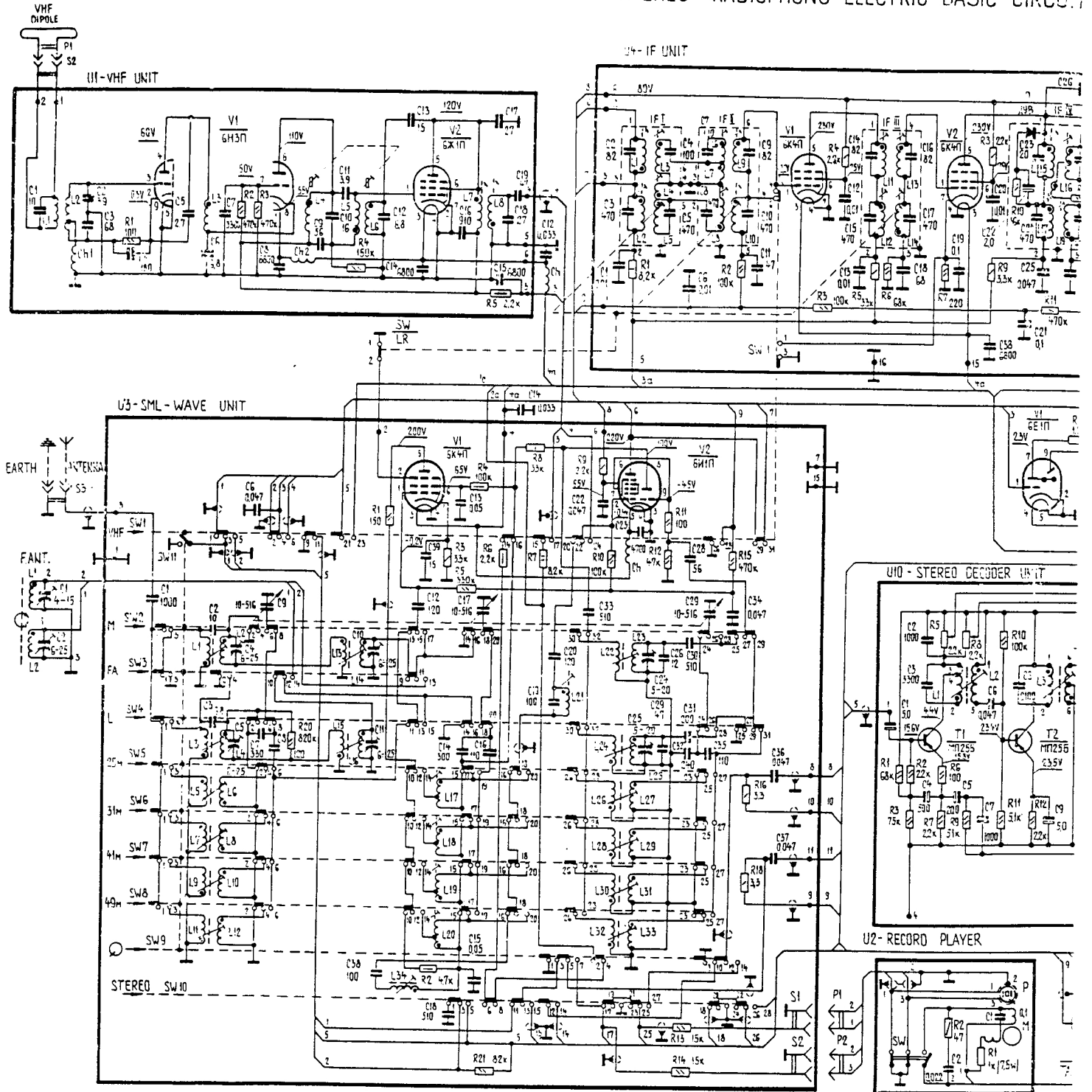


fig. 20

STEREO-RADIOPHONO ELECTRIC BASIC CIRCUIT

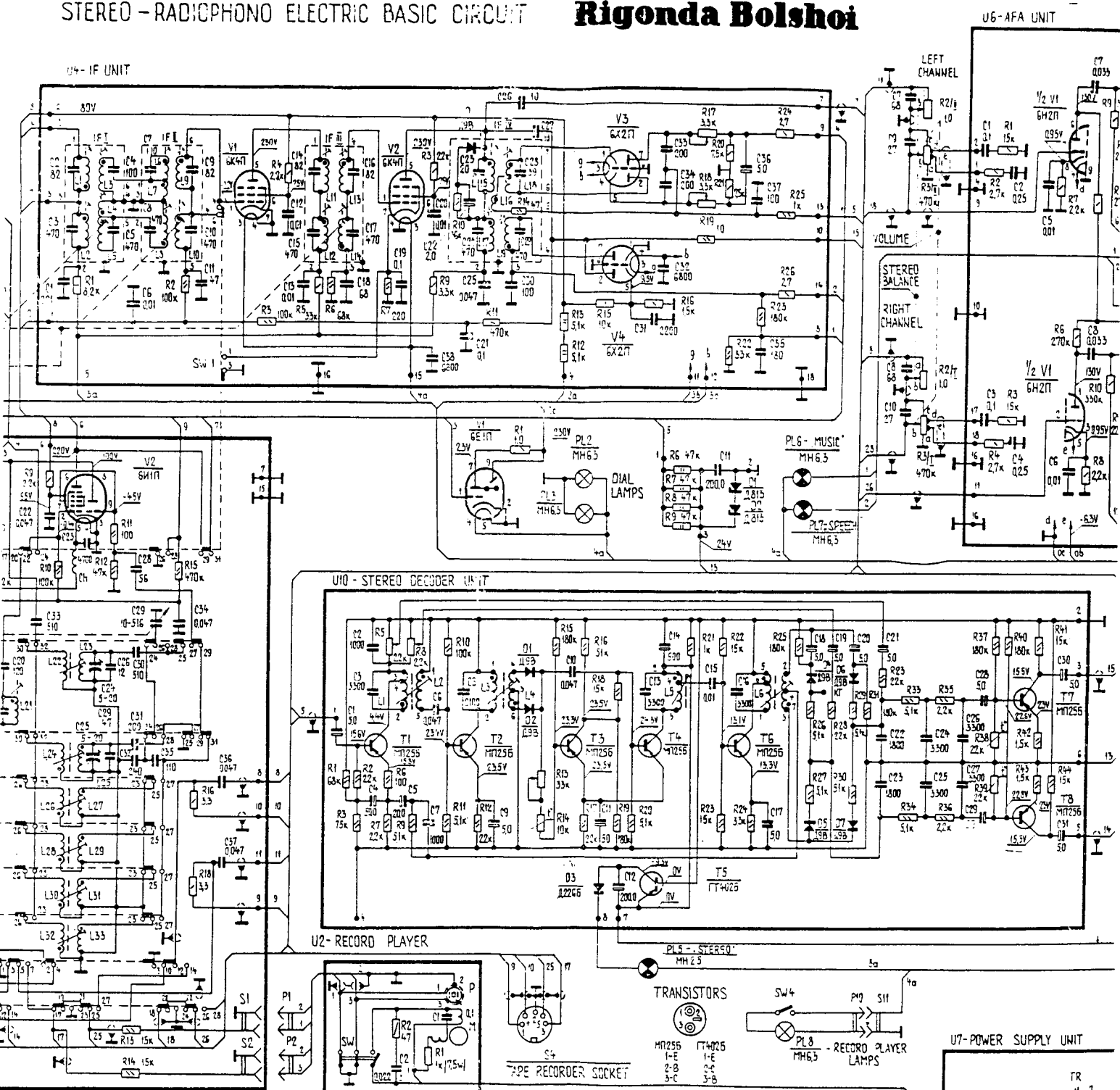


U#	Designation	Resistors										Capacitors															
		Type	Value	MT	C1-C7	C8-C10	C11	C12	C13	C14	C15	C16	C17	C18	C19	C20	C21	C22	C23	C24	C25	C26	C27	C28	C29	C30	
U1	VHF Unit	R1-R4																									
U2	Record Player Unit	R2																									
U3	SMLW Unit	R4-R5, R6-R9, R21	R2, R4, R7, R8																								
U4	IF Unit	R1-R4, R14-R16, R19-R26	R12, R13, R15																								
U5	AT Unit	R1-R5, R7-R13	R6																								
U6	APA Unit	R1-R4, R6-R9, R12, R15	R3, R5, R7, R8, R11, R14																								
U7	Power Supply Unit	R3-R4, R6-R8	R5																								
U8	IF Unit	R1-R4, R6-R8	R5																								
U9	IF Unit	R1-R4, R6-R8	R5																								
U10	Stereo Decoder Unit	R1-R5, R7, R9-R12, R15-R17, R19-R24	R16, R18, R20, R23, R25, R28, R29, R30																								
	Chassis	R1	R6-R7																								

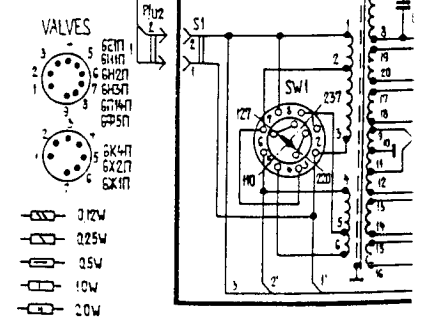
1 VOLTAGES ARE MEASURED: (CONNECTING THE CASE) BY A VOLTMETER WITH RESISTANCE NO LESS THAN 20kΩ/V; BY MINUS VOLTAGE RATING; WHEN 'M' KEY IS ON, EXCEPT FOR UNITS U1 AND U10, WHERE THE VOLTAGES ARE MEASURED WHEN 'VHF' KEY IS ON;
 2 VOLTAGES DIFFER FROM MENTIONED BY ±20%.

STEREO-RADIOPHONE ELECTRIC BASIC CIRCUIT

Rigonda Bolshoi



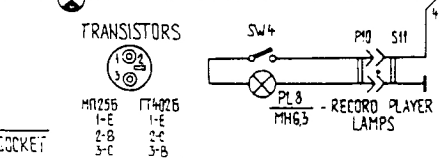
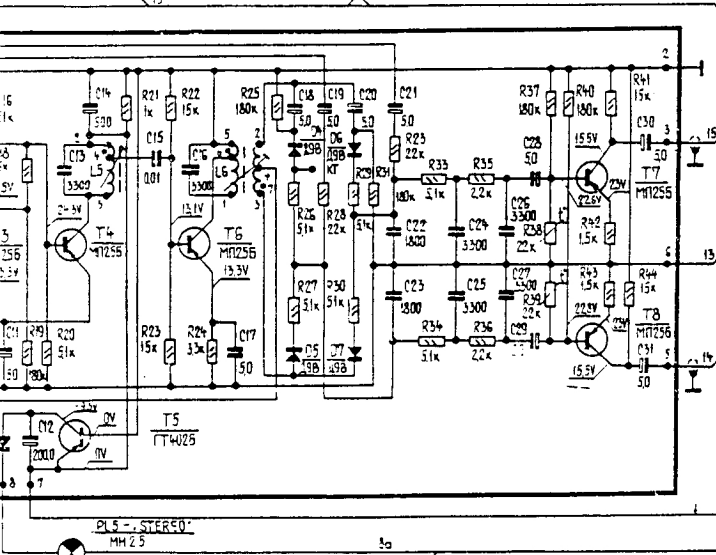
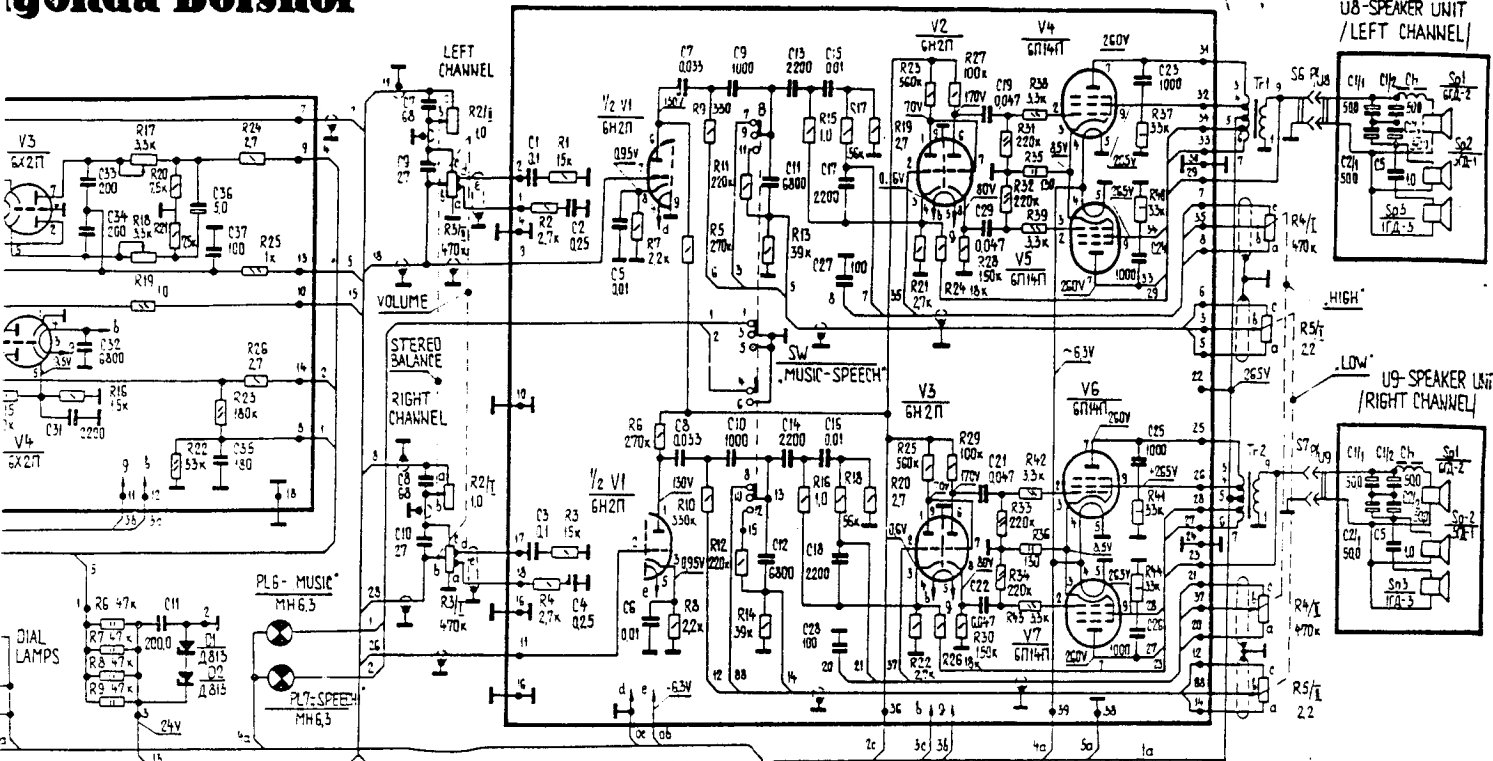
Capacitors											
KT-2	K00-1	K00-2	K00-5	K0-2	K10-7B	K22-4	6MT-1	6MT-2	6M4	6M-2	6M3-4-2
C1, C2	C16	C17	C18, C19, C20	C21	C22, C23	C24	C25	C26	C27, C28	C29	C30
C31, C32, C33, C34, C35, C36, C37, C38, C39, C40, C41, C42, C43, C44, C45, C46, C47, C48, C49, C50, C51, C52, C53, C54, C55, C56, C57, C58, C59, C60, C61, C62, C63, C64, C65, C66, C67, C68, C69, C70, C71, C72, C73, C74, C75, C76, C77, C78, C79, C80, C81, C82, C83, C84, C85, C86, C87, C88, C89, C90, C91, C92, C93, C94, C95, C96, C97, C98, C99, C100											



WITH
ING: WHEN "M" KEY IS ON,
MEASURED WHEN "VHF" KEY IS ON;

igonda Bolshoi

U6-AFA UNIT



Socket	Pin	Component
SOCKET	1-E	MN255
	2-B	1T4025
	3-C	1T4025
	4	1T4025
SOCKET	1	6X21T
	2	6X21T
	3	6X21T
	4	6X21T
SOCKET	1	6X21T
	2	6X21T
	3	6X21T
	4	6X21T

Socket	Pin	Component
SOCKET	1	6X21T
	2	6X21T
	3	6X21T
	4	6X21T
SOCKET	1	6X21T
	2	6X21T
	3	6X21T
	4	6X21T