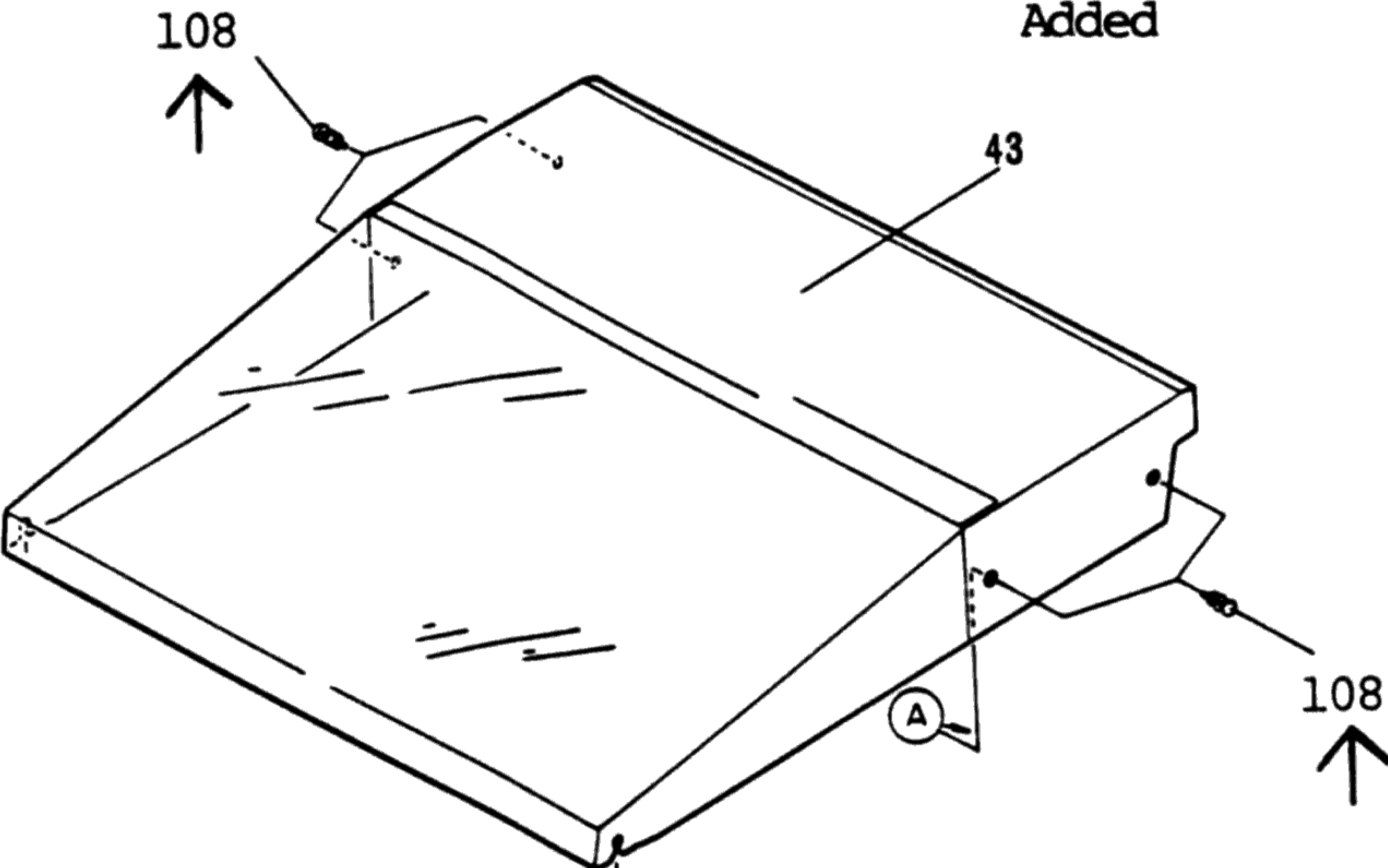


CORRECTION OF SERVICE MANUAL

(P) PIONEER

No. SI-P40007
Date. Jan. 9, 1986

Please correct your Service Manual.

MODEL [S/M NO.]	PAGE	CORRECT						
PL-X100 [ARP-666]	18, 20	<table border="1"> <thead> <tr> <th data-bbox="1330 955 1415 999">No.</th> <th data-bbox="1436 955 1627 999">Part No.</th> <th data-bbox="1734 955 1989 999">Description</th> </tr> </thead> <tbody> <tr> <td data-bbox="1330 1014 1415 1058">108</td> <td data-bbox="1436 1014 1627 1073">PBM-012</td> <td data-bbox="1734 1014 1989 1058">Plastic rivet</td> </tr> </tbody> </table> <p style="text-align: center;">↑ Added</p> 	No.	Part No.	Description	108	PBM-012	Plastic rivet
No.	Part No.	Description						
108	PBM-012	Plastic rivet						

PIONEER ELECTRONIC CORPORATION

(40-017, SMM-KS 310)


 Y. Yamaoka, Manager
 Technical Information & Coordination Sec.
 Product Reliability & Customers Service Div.

PIONEER ELECTRONICS SERVICE, INC.