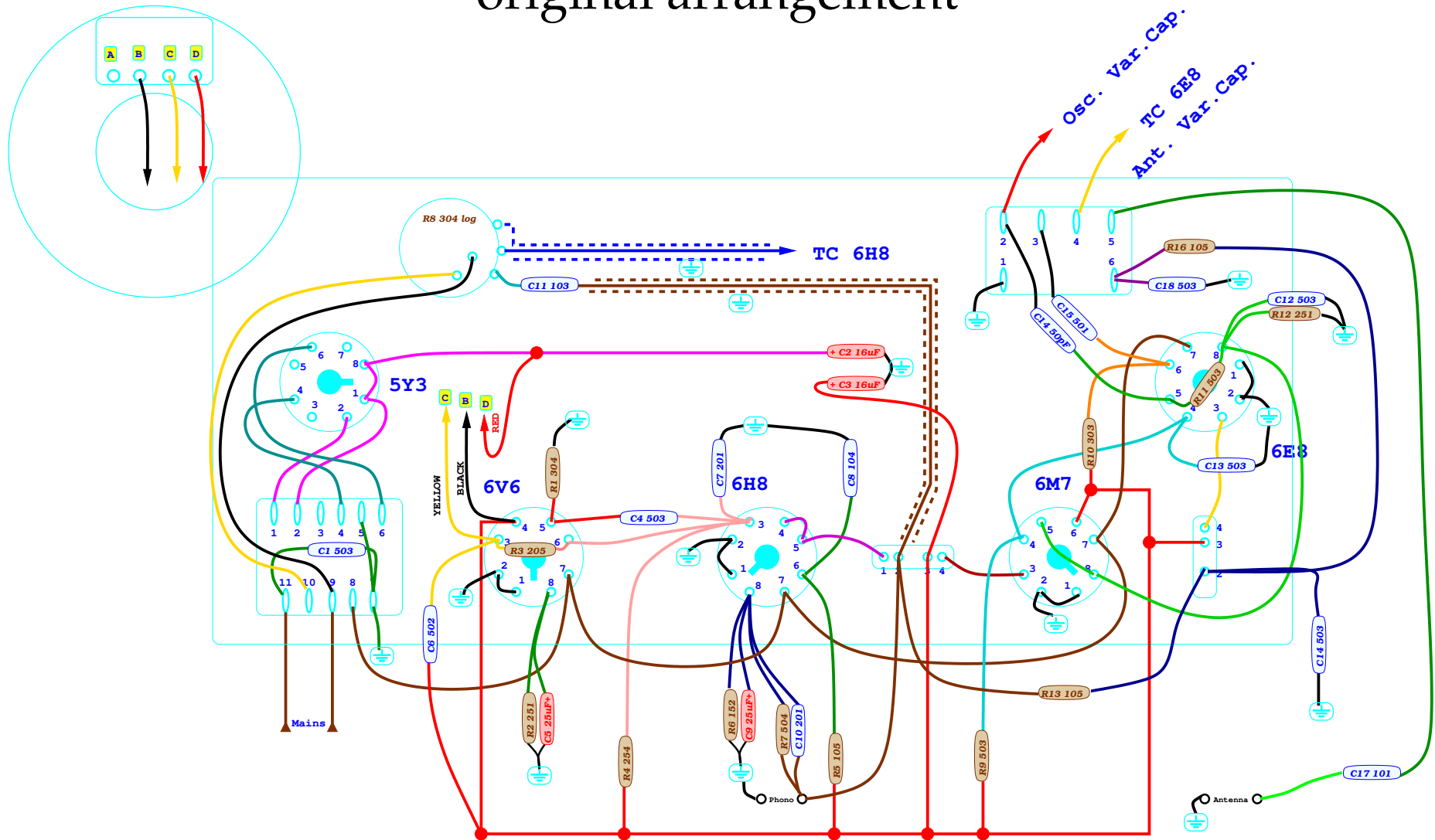


Marbon Paris 510A

original arrangement



Last component numbers: C18, R16

Written by Daniele Giacomini appunti2@gmail.com

Full documentation available at:

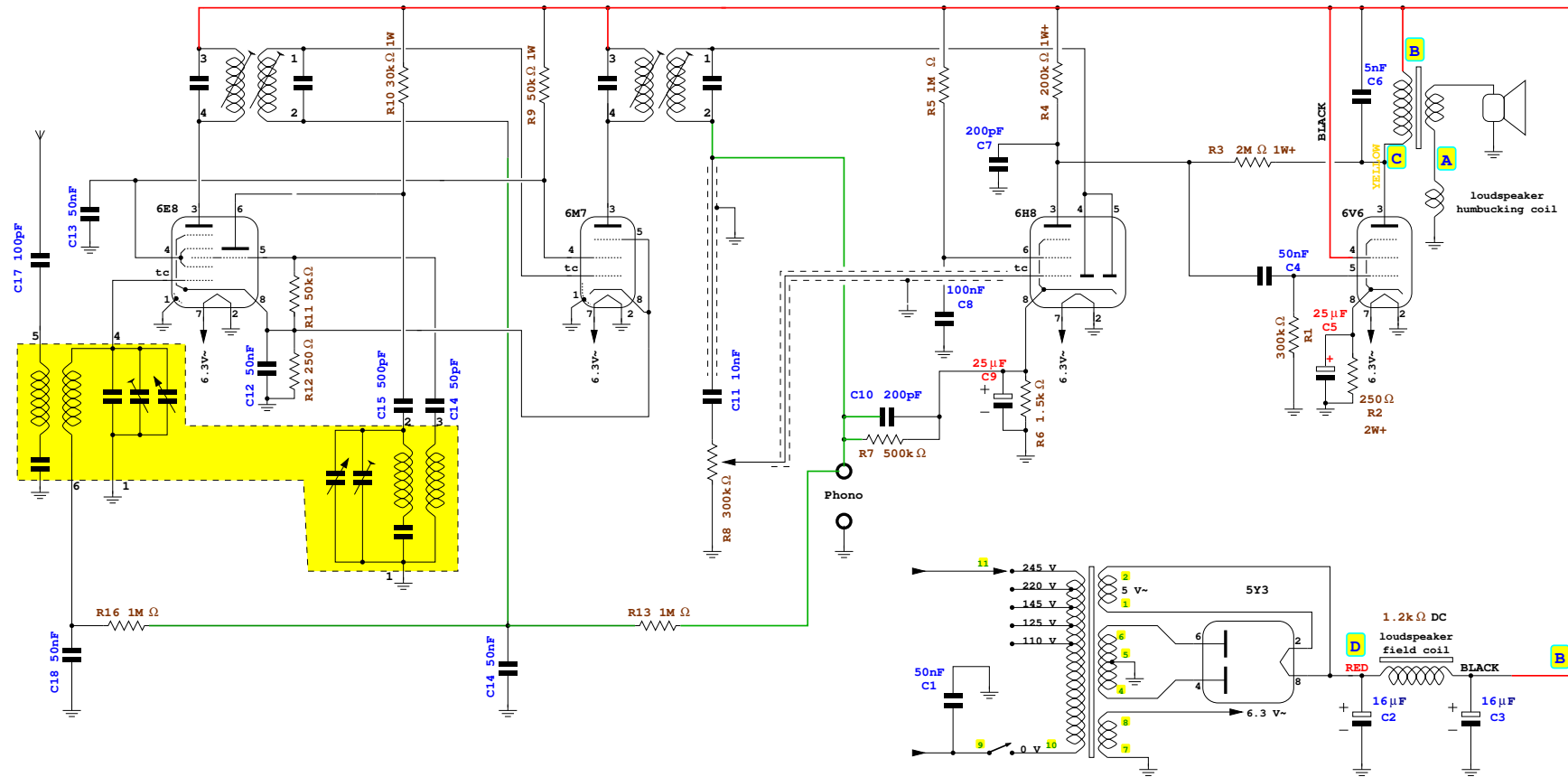
<https://sites.google.com/view/daniele-giacomini/dgpn>

<https://daniele-giacomini.blogspot.com/p/dgpn.html>

<https://archive.org/download/dgs-practical-notes>

Last time edited 2023-11-06

Marbon Paris 510A original arrangement



Last component numbers: C18, R16

Written by Daniele Giacomini appunti2@gmail.com

Full documentation available at:

<https://sites.google.com/view/daniele-giacomini/dgpn>

<https://daniele-giacomini.blogspot.com/p/dgpn.html>

<https://archive.org/download/dgs-practical-notes>

Last time edited 2023-11-06