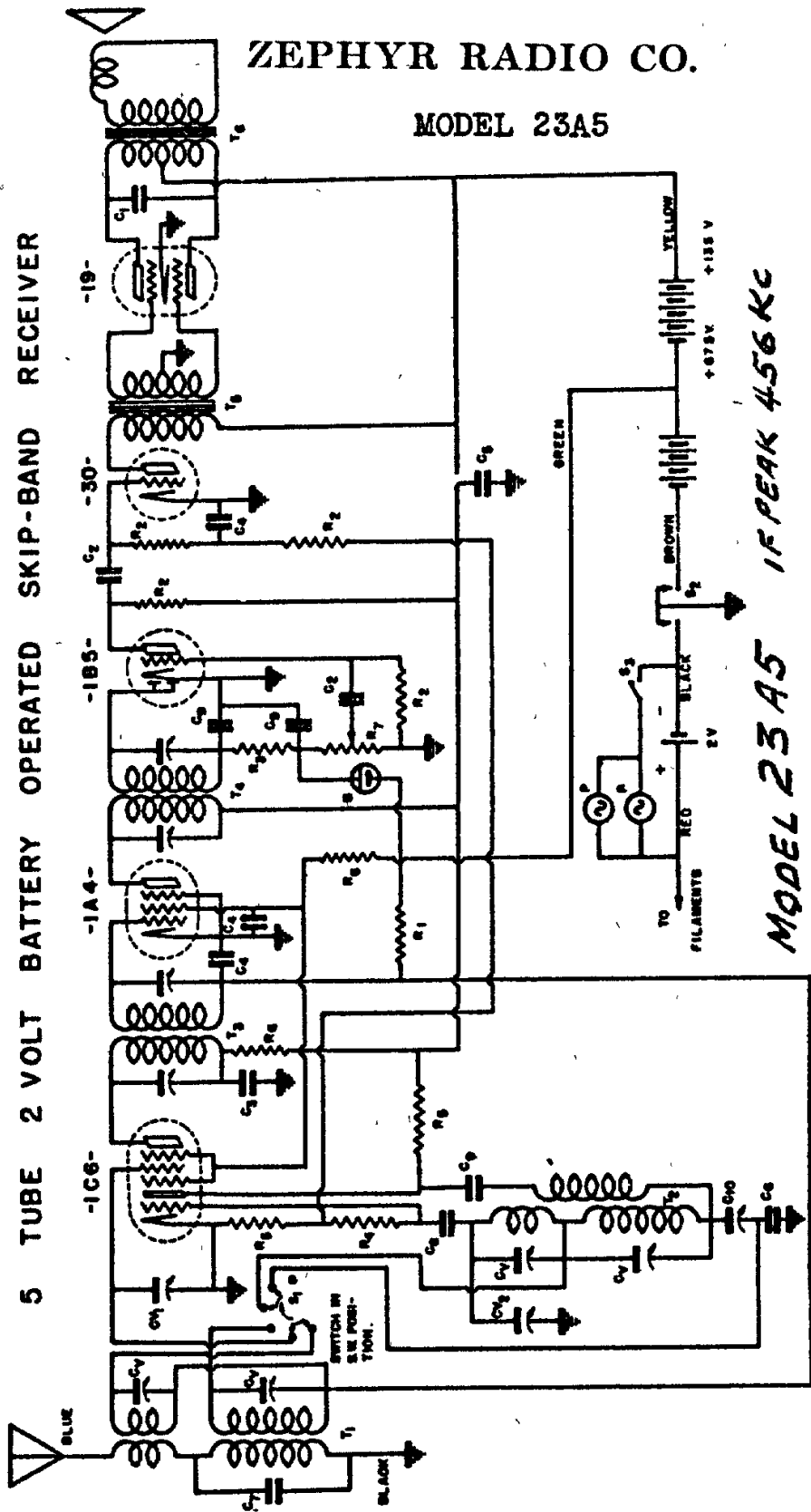


ZEPHYR RADIO CO.

MODEL 23A5

5 TUBE 2 VOLT BATTERY OPERATED SKIP-BAND RECEIVER



MODEL 23A5 IF PEAK 456 KC

| OUR PART NO | DESCRIPTION |
|-------------|--------------------------------|
| C1 | .005MFD 400V TUBULAR CONDENSER |
| C2 | .01MFD 400V TUBULAR CONDENSER |
| C3 | .05MFD 200V TUBULAR CONDENSER |
| C4 | .1MFD 200V TUBULAR CONDENSER |
| C5 | 25MFD 21V TUBULAR CONDENSER |
| C6 | .0018MFD MICA CONDENSER |
| C7 | 50MFD MICA CONDENSER |
| C8 | 100MFD MICA CONDENSER |
| C9 | 250MFD MICA CONDENSER |
| C10 | 5 PLATE PADDS CONDENSER |

| | |
|-------|-----------------------------|
| CV1-2 | 5 GAIN VARIABLE CONDENSER |
| CV | 500 MFD TRIMMER CONDENSER |
| R1 | 1M500W WATT CARBON RESISTOR |
| R2 | 1M500W WATT CARBON RESISTOR |
| R3 | 50K MICA RESISTOR |
| R4 | 100K MICA RESISTOR |
| R5 | 100K MICA RESISTOR |
| R6 | 100K MICA RESISTOR |
| R7 | 100K MICA RESISTOR |
| P | 250K MICA RESISTOR |

| | |
|----|--------------------------------------|
| T1 | 500K ANTENNA COIL |
| T2 | 500K OSCILLATOR COIL |
| T3 | 185V INPUT IF TRANSFORMER |
| T4 | 250V DOOR IF TRANSFORMER |
| T5 | 100V INTERSTAGE TRANSFORMER |
| T6 | 185V P.M DYNAMIC SPEAKER TRANSFORMER |
| S1 | 500V BAND SELECTOR SWITCH |
| S2 | LINE SWITCH ON VOLUME CONTROL |
| S3 | PILOT LIGHT ECONOMIZER SWITCH |
| B | 250V BIAS BUTTON |