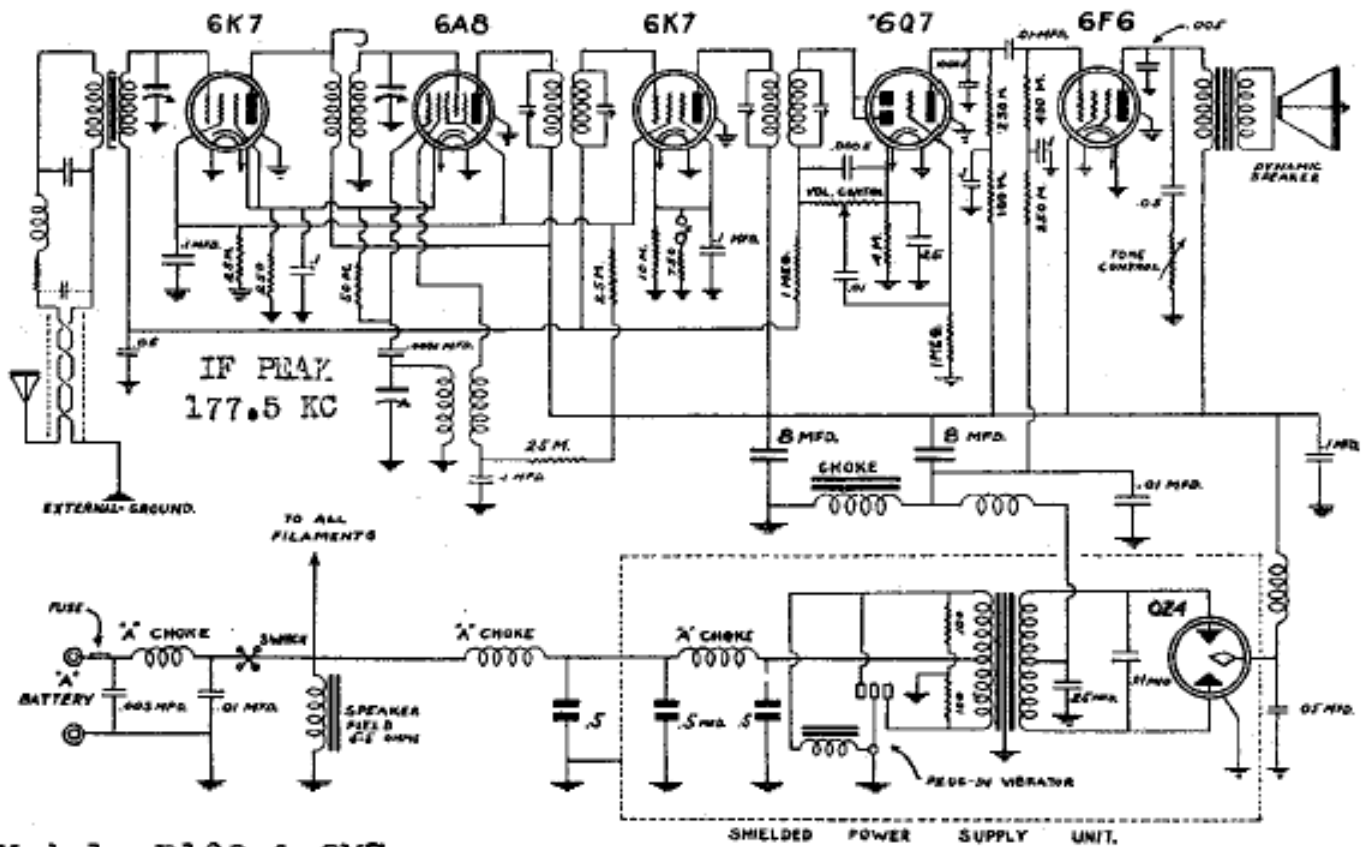


ZEPHYR RADIO CO.

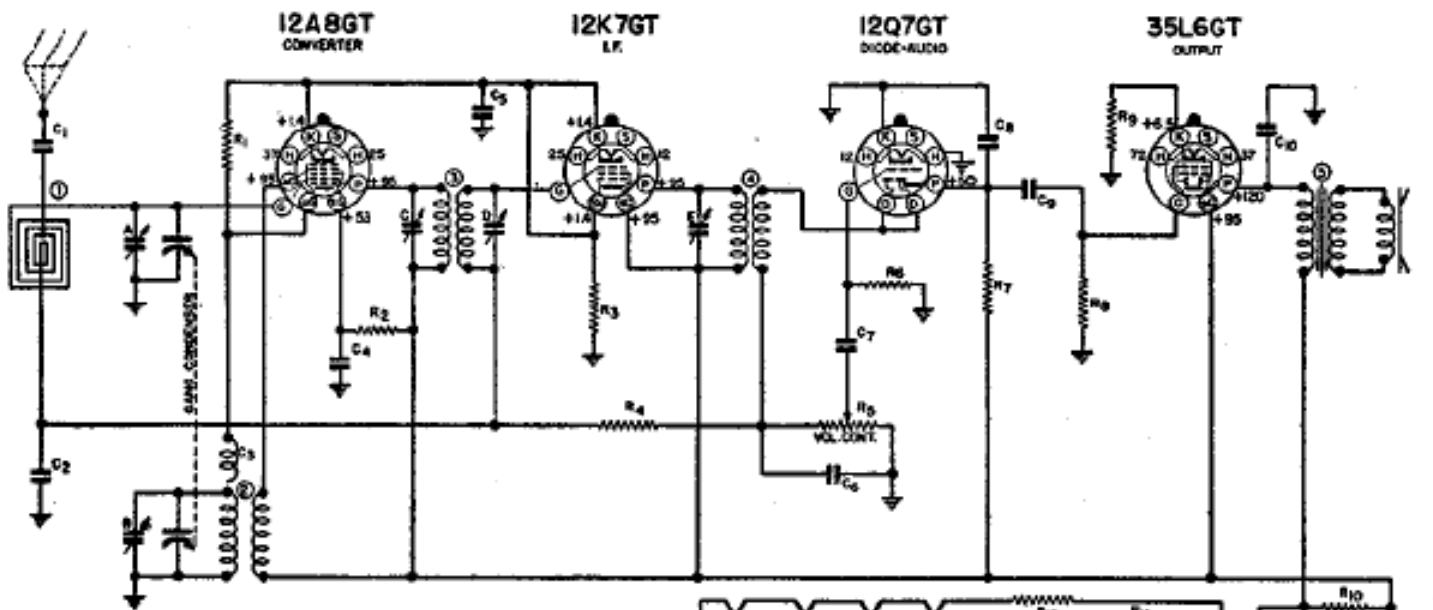
MODELS 2M7, B102

MODEL TSA105



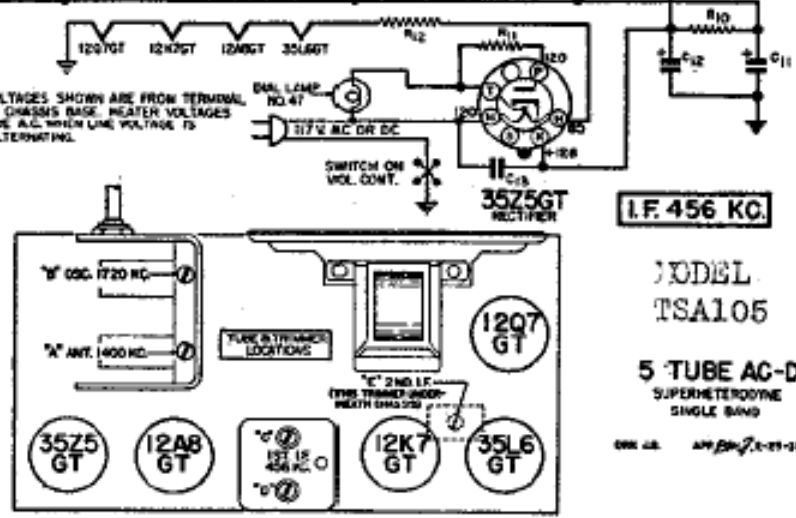
Models B102 & 2M7

Rep by *Lois* *de by* *pat* 1936



DIAG. NO.	PART NO.	DESCRIPTION	DIAG. NO.	PART NO.	DESCRIPTION
R 1	N-1260	50,000 OHM .5W. 20%	C 7	N-4344	.01 MFD. 400V.
R 2	N-1460	30,000 OHM .5W. 20%	C 8	N-1447	.0005 MFD. 400V.
R 3	N-1615	100 OHM .5W. 10%	C 9	N-1344	.01 MFD. 400V.
R 4	N-1262	1 MEG OHM .5W. 20%	C 10	N-1370	.02 MFD. 400V.
R 5	N-1530	0.3 MEG OHM VOL. CONT.	C 11	N-1366	.25 MFD. 150V. ELECTRO.
R 6	N-1263	10 MEG OHM .5W. 20%	C 12	N-1366	.25 MFD. 150V. ELECTRO.
R 7	N-1377	200,000 OHM .5W. 20%	C 13	N-1346	.05 MFD. 400V.
R 8	N-1264	500,000 OHM .5W. 20%			
R 9	N-1616	250 OHM .5W. 10%			
R 10	N-1617	2500 OHM .5W. 20%	1	N-1594	ANTENNA COIL LOOP
R 11	N-1614	50 OHM .5W. 20%	2	N-4452	OSCILLATOR COIL
R 12	N-1618	60 OHM 2W. 10%	3	N-1538	1ST LF. TRANSFORMER
			4	N-1536	2ND LF. TRANSFORMER
			5	N-1545	4" PM SPEAKER & TRANS.
			E	N-1597	2ND LF. TRIMMING COND.
C 1	N-1344	.01 MFD. 400V.			
C 2	N-1345	.05 MFD. 200V.			
C 3		CAPACITY INCLUDED IN OSCILLATOR COIL			
C 4	N-1345	.05 MFD. 200V.			
C 5	N-1351	.1 MFD. 200V.			
C 6	N-1374	100 MMFD.			
			N-4451	SANS CONDENSER	

NOTE: VOLTAGES SHOWN ARE FROM TERMINAL TO CHASSIS BASE. HEATER VOLTAGES ARE A.C. WHEN LINE VOLTAGE IS ALTERNATING.



I.F. 456 KC.

MODEL TSA105

5 TUBE AC-DC SUPERHETERODYNE SINGLE BAND

SEE US ANYWHERE