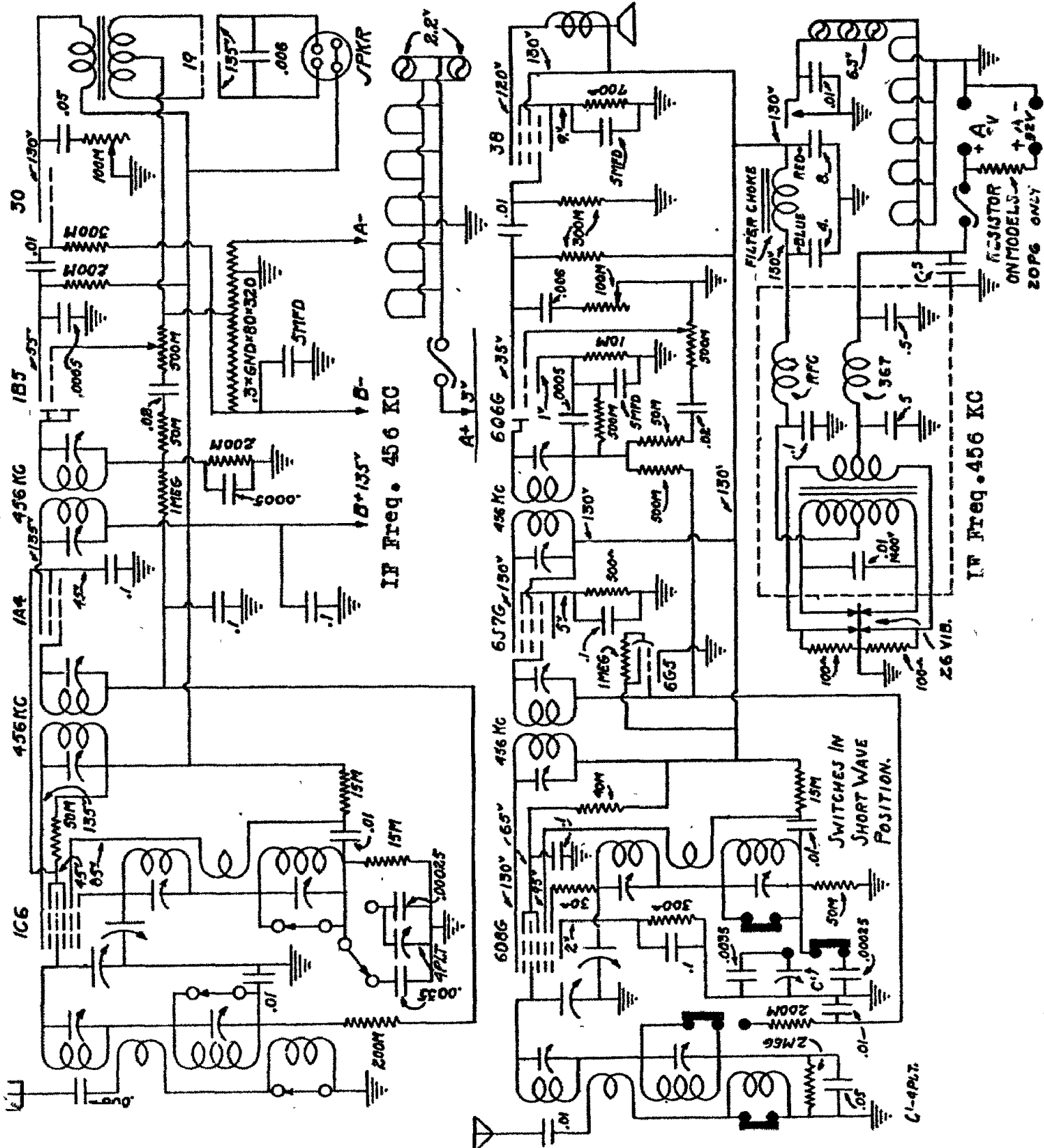


ZEPHYR RADIO CO.

MODELS 20A6, 21A6, 22A6  
MODELS 20B6, 21B6, 22B6  
20P6, 21P6, 22P6  
Schematics, Voltage



Models 20A6, 21A6, 22A6  
460.001 AND UP

500.001 AND UP *RUML*  
Models 20B6, 21B6, 22B6  
Models 20P6, 21P6, 22P6  
Zephyr Radio Co., Detroit, Michigan