

**STEREO SELECTOR SWITCH**

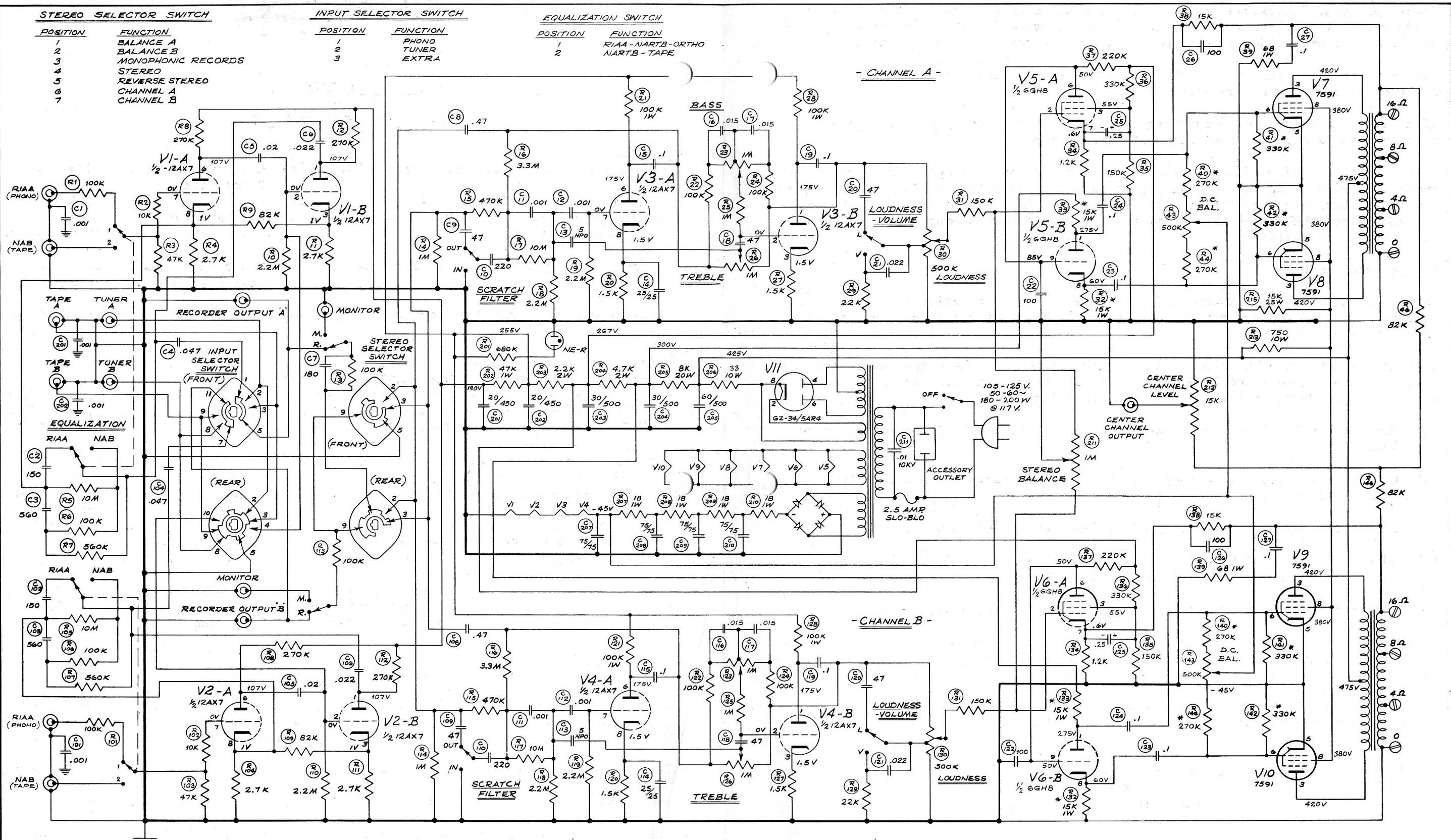
POSITION	FUNCTION
1	BALANCE A
2	BALANCE B
3	MONOPHONIC RECORDS
4	STEREO
5	REVERSE STEREO
6	CHANNEL A
7	CHANNEL B

**INPUT SELECTOR SWITCH**

POSITION	FUNCTION
1	PHONO
2	TUNER
3	EXTRA

**EQUALIZATION SWITCH**

POSITION	FUNCTION
1	RIAA-NARTB-ORTHO
2	NARTB-TAPE



THE FOLLOWING CONTROLS IN CHANNEL 'A' ARE MECHANICALLY GANGED WITH IDENTICAL CONTROLS IN CHANNEL 'B'...

1. INPUT SELECTOR
2. EQUALIZATION
3. SCRATCH FILTER
4. LOUDNESS - VOLUME
5. LOUDNESS - POWER SWITC.

TYPE LK-72 STEREO AMPLIFIER KIT

REVISIONS

REVISED PER	DATE	BY
ECC-530	11/23/60	MM
REVISION PER		
ECC-610	9/14/61	W.C.
ECC-716	7/27/62	W.C.

1. ALL VOLTAGES D.C. ± 5% MEASURED WITH V.T.V.M.	SCALE: ~	LK-72 CIRCUIT DIAGRAM	10/18/60.
2. NO INPUT SIGNAL ± 117 VOLT LINE			
3. SWITCHES SHOWN IN MAXIMUM C.C.W. POSITION			
4. MATCHED RESISTORS			
H. H. SCOTT, INC. MAYNARD, MASS., U.S.A.			
DR. CASSIDY	ENG. [Signature]	DWG. NUMBER D-LK-72-C1 SUB. 3	
CH.	PROD.		

HIGHEST NOS: R46, R146, R215 C27, C27, C211 R45 & R145 OUT