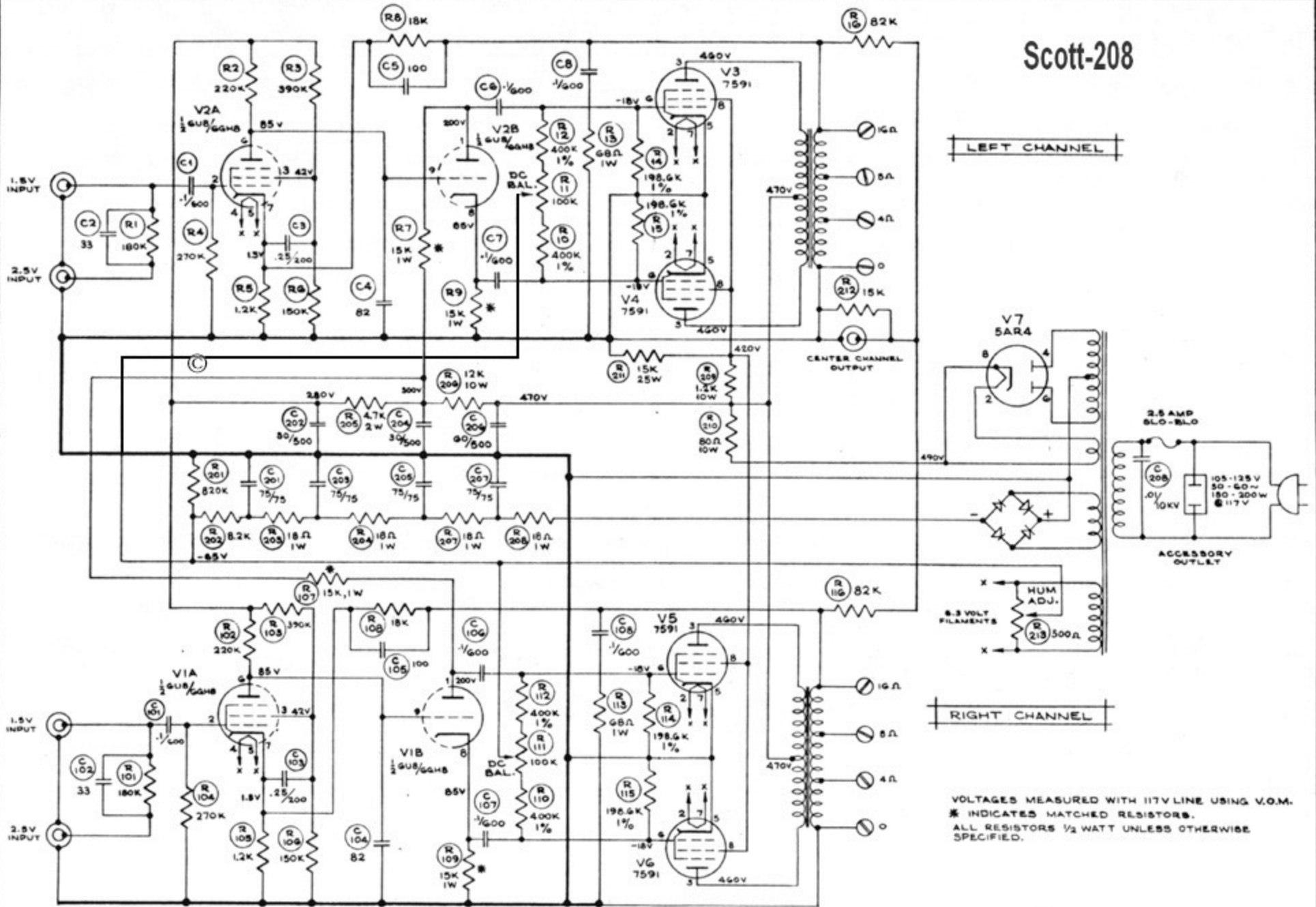


# Scott-208



TYPE 208 STEREO POWER AMPLIFIER

VOLTAGES MEASURED WITH 117V LINE USING V.O.M.  
 \* INDICATES MATCHED RESISTORS.  
 ALL RESISTORS 1/2 WATT UNLESS OTHERWISE SPECIFIED.

R1G, C8 ; R1G, C108 ; R213, C208.

SCALE: NONE	CIRCUIT DIAGRAM	11/28/61
H. H. SCOTT, INC. MAYNARD, MASS. U.S.A.		
DR. DRAYMOND	ENG. <i>[Signature]</i>	DWG.
CH. W.C.	PROD.	NO. C-208-C1 SUB. O

C-208-C1