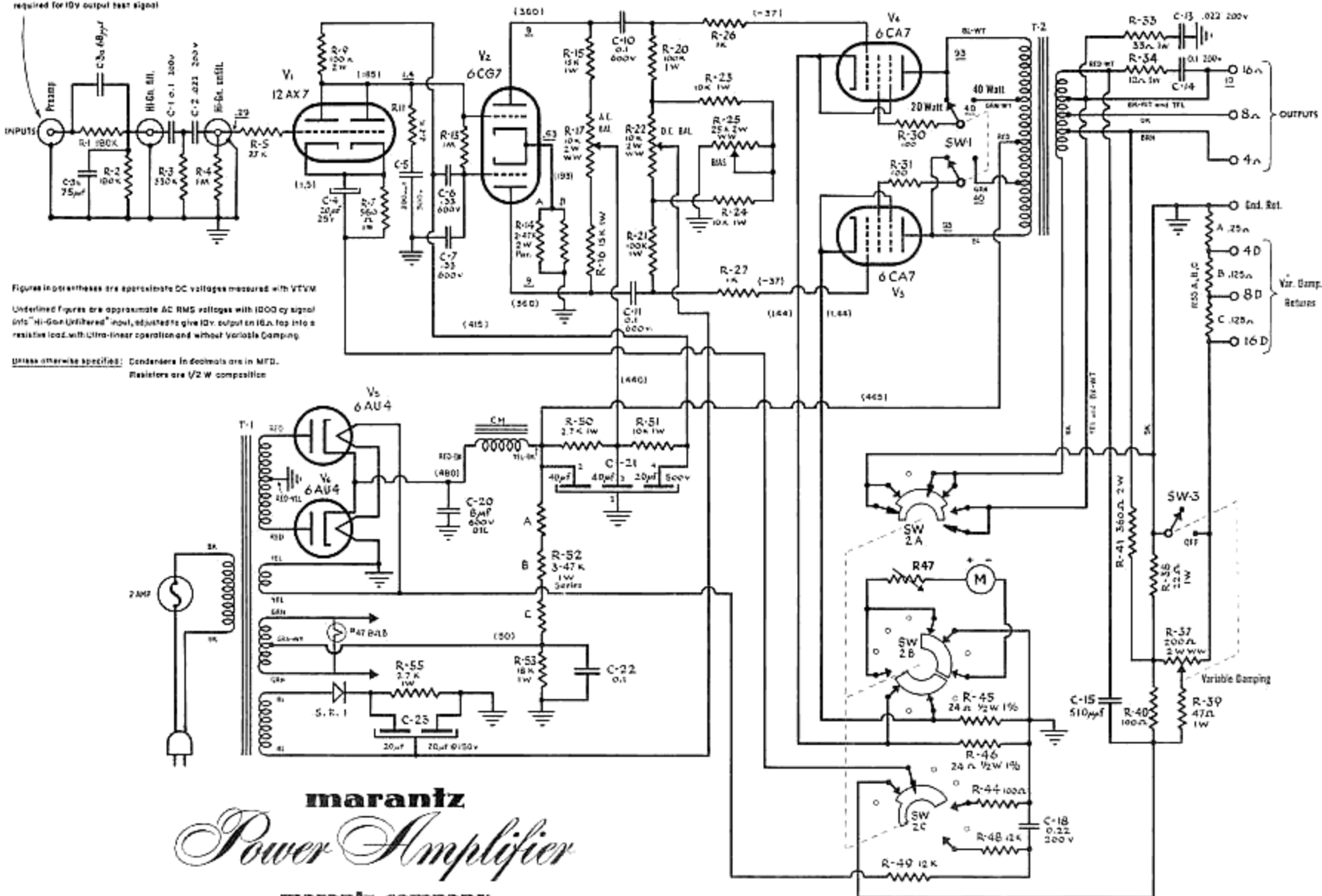


Approx. 0.6V RMS into "Presamp" input required for 10V output test signal



Figures in parentheses are approximate DC voltages measured with VTVM

Underlined figures are approximate AC RMS voltages with 1000 Ω signal into "Hi-Gain Unfiltered" input, adjusted to give 10V output on 16 Ω load into a resistive load with ultra-linear operation and without variable damping

Unless otherwise specified: Condensers in decimats are in MFD. Resistors are 1/2 W composition

marantz
Power Amplifier

marantz company
LONG ISLAND CITY, NEW YORK

SW₂ shown in NORMAL or listening position (counterclockwise).