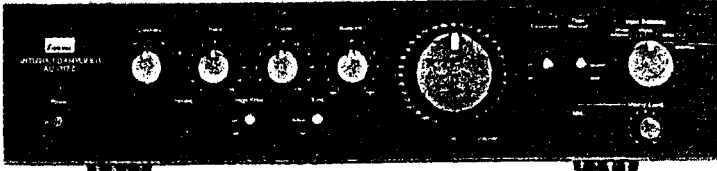


SERVICE MANUAL

INTEGRATED STEREO AMPLIFIER

SANSUI AU-117II AU-217II AU-317II



SANSUI ELECTRIC CO., LTD.

SPECIFICATIONS

● AU-117II

Power output

Min. RMS, both channels driven, from 20 to 20,000 Hz,
with no more than 0.17 % harmonic distortion.

25 watts per channel into 8 ohms

Load impedance 8 ohms

Total harmonic distortion

. less than 0.17 % at or below rated
min. RMS power output

Intermodulation distortion (70 Hz : 7 kHz = 4:1 SMPTE
method) less than 0.17 % at or below rated
min. RMS power output

Frequency response (at 1 watt)

. 10 to 40,000 Hz +0.5 dB -2 dB

Damping factor approximately 50 at 8 ohms load

RIAA curve deviation (PHONO)

. +0.5 dB -0.5 dB
(30 to 15,000 Hz)

Input sensitivity and impedance (1 kHz, for rated power output)

PHONO 2.5 mV/47 kilohms
(Max. input capability; 160 mV at 1 kHz, less than
0.2 % total harmonic distortion)

AUX, TAPE 150 mV/47 kilohms

Output level (1,000 Hz)

TAPE REC (pin jack)
. 150 mV/47 kilohms

Channel separation (1 kHz, at rated power output)

PHONO better than 65 dB

AUX better than 68 dB

Hum and noise (short-circuit, A-network)

PHONO -76 dB

AUX -95 dB

Controls

BASS ±12 dB (50 Hz)

TREBLE ±11 dB (15 kHz)

HIGH FILTER -3 dB (7 kHz), 6 dB/oct

LOUDNESS (-30 dB)

. 8 dB at 50 Hz

. 6 dB at 10 kHz

Power requirements

Power voltage 100, 120, 220, 240 V
(50/60 Hz)

For U.S.A. and Canada

. 120 V (60 Hz)

Power consumption 80 watts

Dimensions 430 mm (16-15/16") W

110 mm (4-3/8") H

340 mm (13-7/16") D

Weight 6.7 kg (14.8 lbs) net

8.2 kg (18.1 lbs) packed

● AU-217II

Power output

Min. RMS, both channels driven, from 20 to 20,000 Hz,
with no more than 0.06 % harmonic distortion.

40 watts per channel into 8 ohms

Load impedance 8 ohms

Total harmonic distortion

. less than 0.06 % at or below rated
min. RMS power output

Intermodulation distortion (70 Hz : 7 kHz = 4:1 SMPTE
method) less than 0.06 % at or below rated
min. RMS power output

Frequency response (at 1 watt)

. 10 to 50,000 Hz +0.5 dB -1.5 dB

Damping factor approximately 80 at 8 ohms load

RIAA curve deviation (PHONO)

. +0.5 dB -0.5 dB
(30 to 15,000 Hz)

to be continued ▶

<AU-217II>

Input sensitivity and impedance (1 kHz, for rated power output)

PHONO 2.5 mV/47 kilohms
(Max. input capability; 200 mV at 1 kHz, less than 0.05 % total harmonic distortion)
AUX, TAPE 150 mV/47 kilohms
Output level (1,000 Hz)
TAPE REC (pin jack)
. 150 mV/47 kilohms

Channel separation (1 kHz, at rated power output)

PHONO better than 65 dB
AUX better than 68 dB

Hum and noise (short-circuit, A-network)

PHONO 76 dB
AUX 95 dB

Controls

BASS ±12 dB (50 Hz)
TREBLE ±11 dB (15 kHz)
PHONO SUBSONIC
. -3 dB (13 Hz), 6 dB/oct
HIGH FILTER -3 dB (7 kHz), 6 dB/oct
LOUDNESS (-30 dB)
. 8 dB at 50 Hz
. 6 dB at 10 kHz

Power requirements

Power voltage 100, 120, 220, 240 V
(50/60 Hz)

For U.S.A. and Canada

. 120 V (60 Hz)

Power consumption 120 watts

Dimensions 430 mm (16-15/16") W
. 110 mm (4-3/8") H
. 340 mm (13-7/16") D

Weight 8.3 kg (18.3 lbs) net
. 9.8 kg (21.6 lbs) packed

● AU-317II

Power output

Min. RMS, both channels driven, from 20 to 20,000 Hz,
with no more than 0.03 % harmonic distortion.
60 watts per channel into 8 ohms

Load impedance 8 ohms

Total harmonic distortion

. less than 0.03 % at or below rated
min. RMS power output

* Design and specifications subject to change without notice for improvements.

Intermodulation distortion (70 Hz : 7 kHz = 4:1 SMPTE method) less than 0.03 % at or below rated min. RMS power output

Frequency response (at 1 watt)

. 5 to 70,000 Hz +0 dB -1.8 dB

Damping factor (1 kHz, both channels driven)

. 70 into 8 ohms

RIAA curve deviation (PHONO, 20 Hz to 20 kHz)

. +0.2 dB, -0.2 dB

Input sensitivity and impedance (1 kHz)

PHONO 2.5 mV/47 kilohms
(Max. input capability; 220 mV at 1 kHz, less than 0.08 % total harmonic distortion)

AUX, TAPE 150 mV/47 kilohms

MIC 8 mV/10 kilohms

Output level and impedance (1,000 Hz)

TAPE REC 150 mV/47 kilohms

Channel separation (1 kHz, at rated power output)

PHONO better than 65 dB

AUX better than 75 dB

Hum and noise (short-circuit, A-network)

PHONO 77 dB
TAPE/AUX 100 dB

Controls

BASS ±11 dB (50 Hz)

TREBLE ±10 dB (15 kHz)

PHONO SUBSONIC

. -3 dB (13 Hz), 6 dB/oct

HIGH FILTER -3 dB (7 kHz), 6 dB/oct

LOUDNESS (VOLUME control: -30 dB)

. 9 dB at 50 Hz

. 7 dB at 10 kHz

Power requirements

Power voltage 100, 120, 220, 240 V
(50/60 Hz)

For U.S.A. and Canada

. 120 V (60 Hz)

Power consumption

Maximum consumption

. 180 watts

Rated consumption

. 180 watts 220 VA

Dimensions 430 mm (16-15/16") W

. 110 mm (4-3/8") H

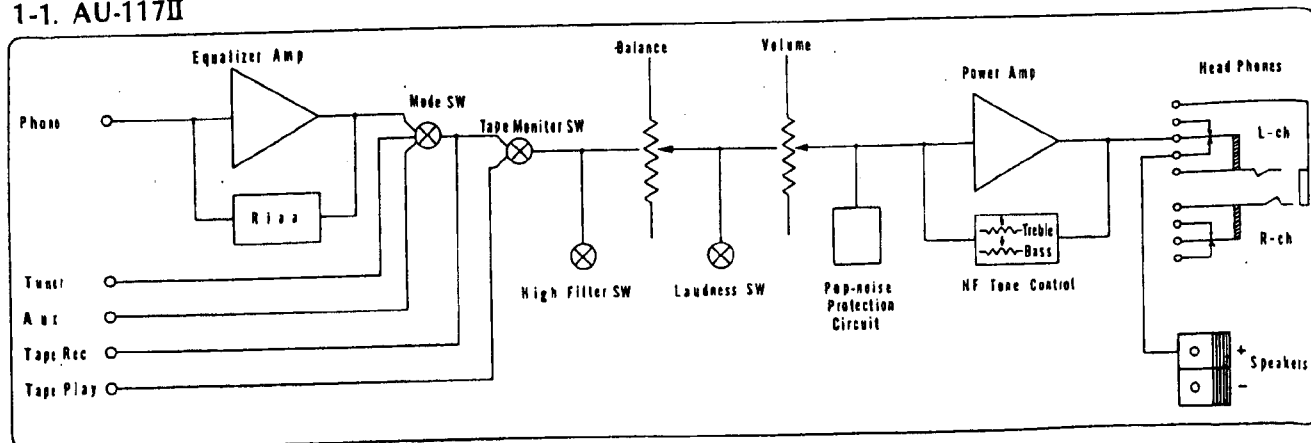
. 340 mm (13-7/16") D

Weight 9.8 kg (21.6 lbs) net

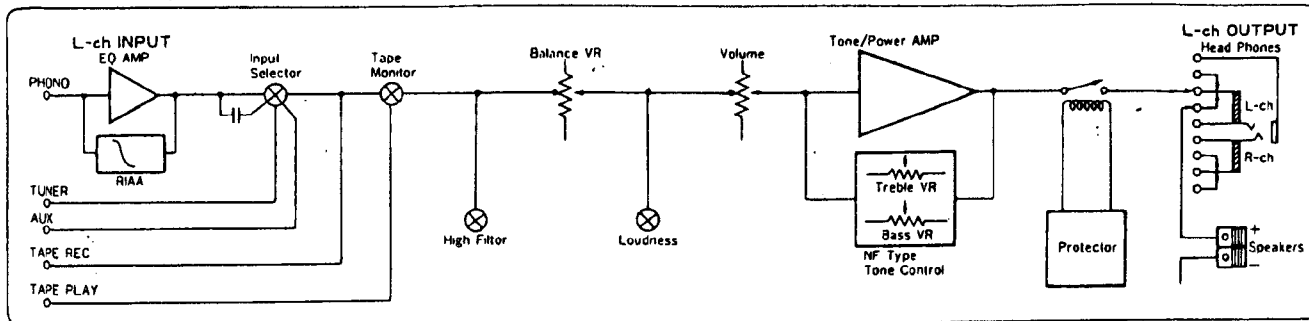
. 11.3 kg (24.9 lbs) packed

1. BLOCK DIAGRAM

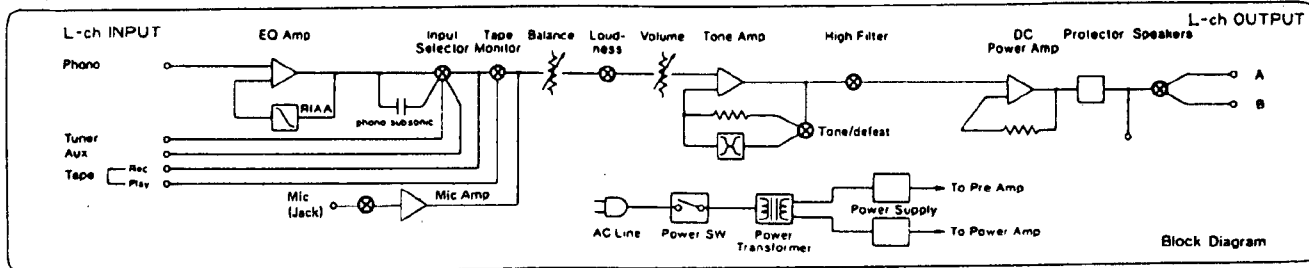
1-1. AU-117II



1-2. AU-217II



1-3. AU-317II



2. ADJUSTMENTS

- Note: 1. Master Volume Minimum
 2. Room Temperature 18°C ~ 28°C
 (65°F ~ 83°F)

3. For adjustment, run the unit for more than 3 minutes after the power is switched on.

2-1. AU-117II

- A) Bias Current adjustment (see the picture of Bottom View on page 7)

Note: 1. By turning adjustment volumes, VR05 and VR06 counterclockwise, the bias current is decreased.

	EQUIPMENT	MEASURE OUTPUT	ADJUST	ADJUST FOR
L-ch	DC Volt Meter	Between TP01 (+) and TP03 (-) F-2728	VR05 F-2728	13 mV
R-ch	DC Volt Meter	Between TP02 (+) and TP04 (-) F-2728	VR06 F-2728	13 mV

2-3. AU-317II

- A) DC 0V adjustment (see the picture of Top View on page 8)

Note: At first, set VR01, VR03 for L-CH and VR02, VR04 for R-CH to center position, then make the rough adjustment by VR03, VR04 and fine adjust by VR01, VR02.

	EQUIPMENT	MEASURE OUTPUT	ADJUST	ADJUST FOR
L-ch	DC Volt Meter	Speaker Terminal between (+) and (-)	F-2754 VR03, VR01	DC 0V
R-ch	DC Volt Meter	Speaker Terminal between (+) and (-)	F-2754 VR04, VR02	DC 0V

2-2. AU-217II

- A) Bias Current adjustment (see the picture of Top View on page 8)

Note: 1. By turning adjustment volumes, VR01 and VR02 counterclockwise, the bias current is decreased.

	EQUIPMENT	MEASURE OUTPUT	ADJUST	ADJUST FOR
L-ch	DC Volt Meter	TP Terminal (+) (-) of F-2760	F-2760 VR01	7 mV
R-ch	DC Volt Meter	TP Terminal (+) (-) of F-2760	F-2760 VR02	7 mV

- B) Bias Current adjustment (see the picture of Top View on page 8)

Note: 1. By turning adjustment volumes, VR05 and VR06 counterclockwise, the bias current is decreased.

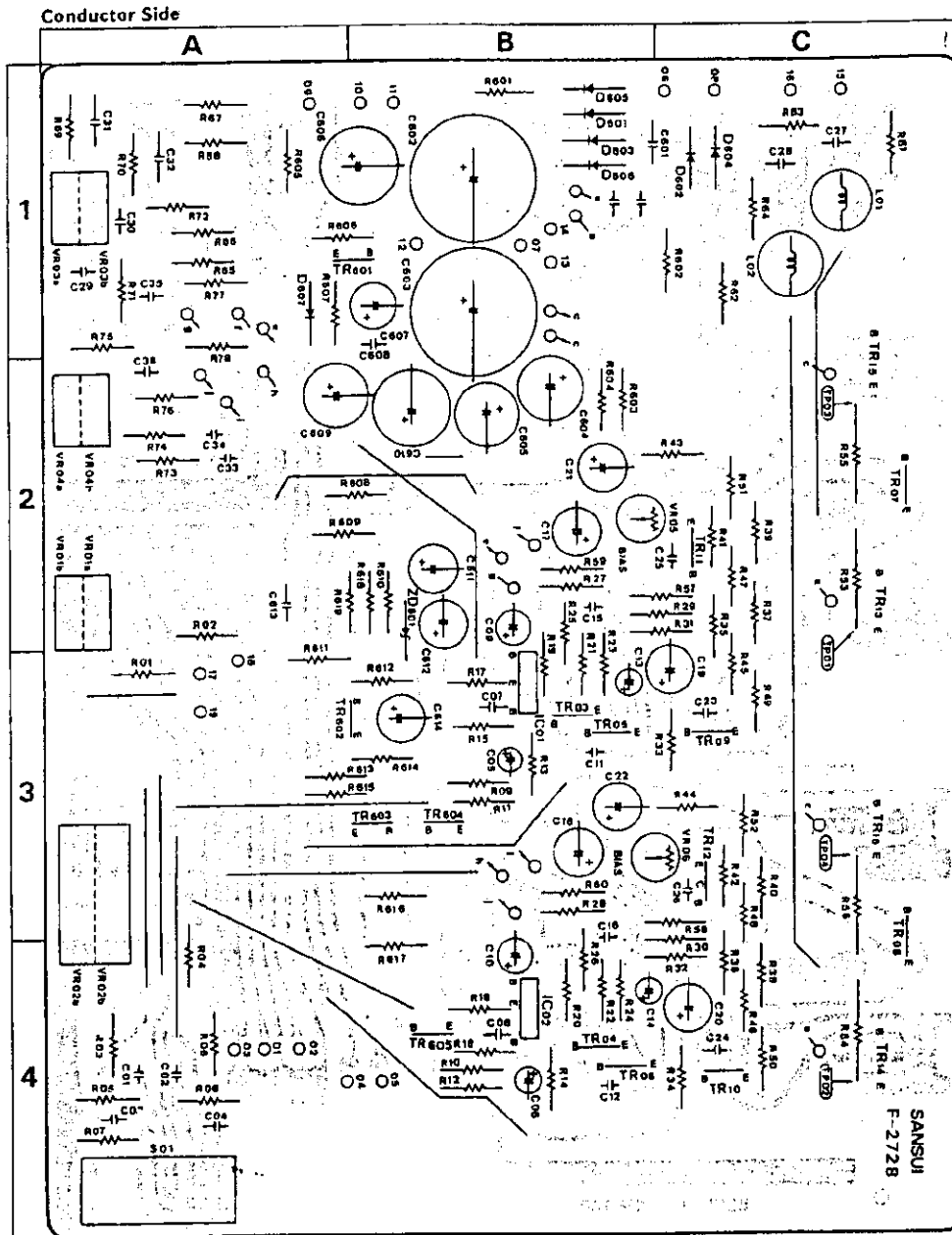
	EQUIPMENT	MEASURE OUTPUT	ADJUST	ADJUST FOR
L-ch	DC Volt Meter	Between TP01 (+) and TP03 (-) F-2754	F-2754 VR05	13 mV
R-ch	DC Volt Meter	Between TP02 (+) and TP04 (-) F-2754	F-2754 VR06	13 mV

3. PARTS LOCATION & PARTS LIST

3-1. AU-117II

A) F-2728 Tone Control & Driver Circuit Board (Stock No. 7572221) (AU-117II Only)

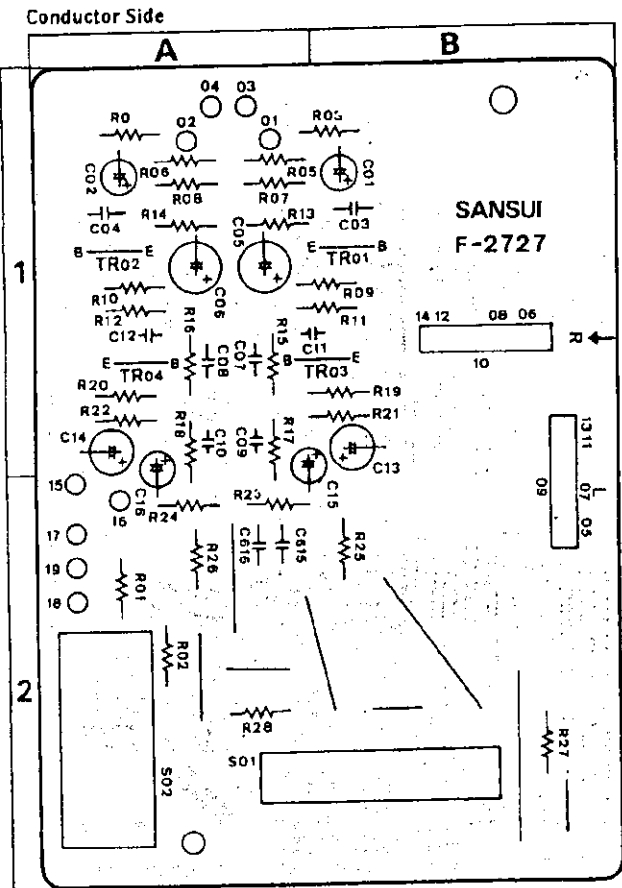
Since some of capacitors and resistors are omitted from parts lists in this Service Manual, refer to the common parts list for capacitors & resistors which was appended previously to each Sansui Manual



Parts List

Parts No.	Stock No.	Description	Position	Parts No.	Stock No.	Description	Position	Parts No.	Stock No.	Description	Position
Transistor											
TR03, 04	0306740, 1	2SC1845 F	3B, 4B	D 603	0310340	10D1	1B	R 55, 56	0212338	0.33Ω 2W N.I.R.	2C, 3C
TR05, 06	0306740, 1	2SC1845 F	3B, 4B	D 604	0310340	10D1	1C	R 603	0182681	680Ω 1/2W F.R.	2B
TR07, 08	0306070, 1	2SC1313 F, G	2C, 4C	D 605	0310340	10D1	1B	R 607	0191220	22Ω 1/4W F.R.	1A
TR09, 10	0308520, 1	2SD438 D, E	3C, 4C	D 606	0310340	10D1	1B	R 608	0191181	180Ω 1/4W F.R.	2B
TR11, 12	0303360, 1	2SB560MP D, E	2C, 3C	D 607	0311150	152473D	1A	L 01, 02	4210290	1.5μH Inductor	1C
TR13, 14	0306541, 2	2SC1986 O, Y	2C, 4C	Zener Diode							
TR15, 16	0300911, 2	2SA771 (D), (V)	1C, 3C	ZD601	0315970	EQA01-13R	2B	VR01	1015270, 1	250Ω MN × 2	2A
TR601	0306740, 1	2SC1845 F, E	1B	C 01, 02	0620391	380pF 50V P.C.	4A	VR02	1011120, 1	250Ω A × 2	3A
TR602	0305951, 2	2SC945 O, P	3B	C 601	0455103	10000pF 500V C.C.	1B	VR03	1015260, 1	100Ω C × 2	1A
TR603	0305951, 2	2SC945 O, P	3B	C 602	0549010	6800pF 35V E.C.	1B	VR04	1015260, 1	100Ω C × 2	2A
TR604	0305951, 2	2SC945 O, P	4B	C 603	0549010	6800pF 35V E.C.	1B	VR05, 06	1035050	470Ω B Volume, bias current	2B, 3C
TR605	0305951, 2	2SC945 O, P	4B	R 43, 44	0191101	100Ω 1/4W F.R.	2C, 3C	S 01	1171020	Lever Switch, loudness	4A
IC											
IC 01, 02	0360290, 1	2SA798 F, G	3B, 4B	R 45, 46	0191221	220Ω 1/4W F.R.	3C, 4C				
Diode											
D 601	0310340	10D1	1B	R 47, 48	0191221	220Ω 1/4W F.R.	2C, 3C				
D 602	0310340	10D1	1C	R 49, 50	0191689	6.8Ω 1/4W F.R.	3C, 4C				

B) F-2727 Equalizer Circuit Board (Stock No. 7551491)(AU-117II Only)



Parts List

Parts No.	Stock No.	Description	Position
*Transistor			
TR01, 02	0301090, 1	2SA992 F	1B, 1A
TR03, 04	0306740, 1	2SC1845 F	1B, 1A
S 01	1101800	Rotary Switch, input selector 2B	
S 02	1171050	Lever Switch, tape monitor 2A	

Note:

The circuit boards, F-2726, F-2729 & F-2731 are not supplied as the assembled, the individual parts on the circuit boards, however are provided for orders.

C) F-2726 Input Terminal Circuit Board (AU-117II Only)

Parts List

Stock No.	Description
2200580	4P Input Terminal, tuner, aux., tape
2200600	2P Input Terminal, phone

D) F-2729 Filter Circuit Board (AU-117II Only)

Parts List

Parts No.	Stock No.	Description
S 01	1171020	Lever Switch, high filter

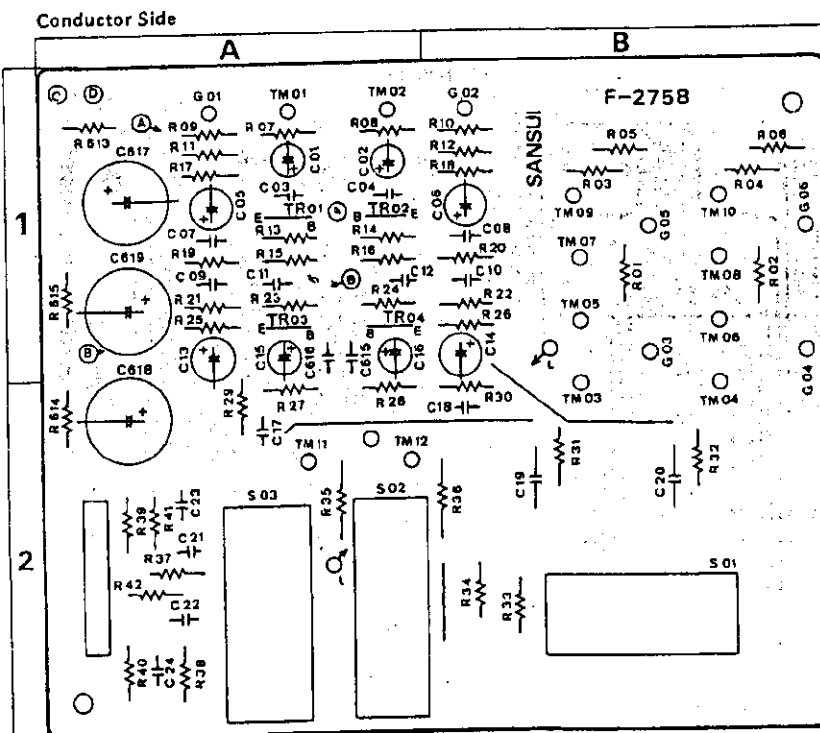
E) F-2731 Voltage Selector Circuit Board (AU-117II Only)

Parts List

Parts No.	Stock No.	Description
F 01	0432220	1A 250V AC Fuse
	0432240	2A 250V AC Fuse
	2310220	Fuse Holder (Large)

3.2. AU-217II

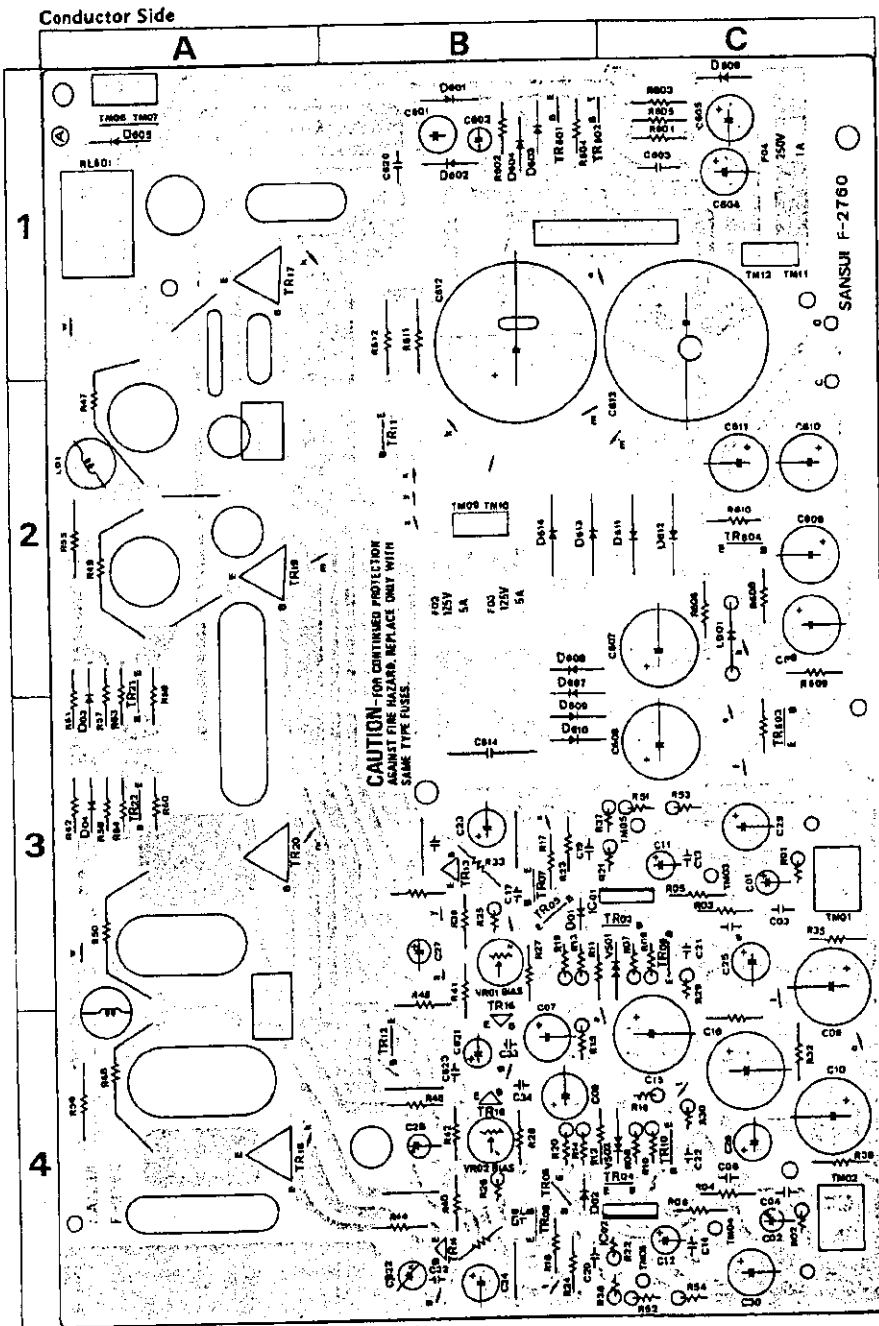
A) F-2758 Equalizer Circuit Board (Stock No. 7551481)(AU-217II Only)



Parts List

Parts No.	Stock No.	Description	Position
*Transistor			
TR01, 02	0301090, 1	2SA992 F	1A
TR03, 04	0306740, 1	2SC1845 F	1A
C 17, 18	0620821	620pF 50V P.C.	2A, 2B
C 21, 22	0620391	390pF 50V P.C.	2A
S 01	1102740	Rotary Switch, input selector 2B	
S 02	1171030	Lever Switch, tape monitor 2A	
S 04	1171020	Lever Switch, loudness	

B) F-2760 Power Amplifier Circuit Board (Stock No. 7572211) (AU-217II Only)



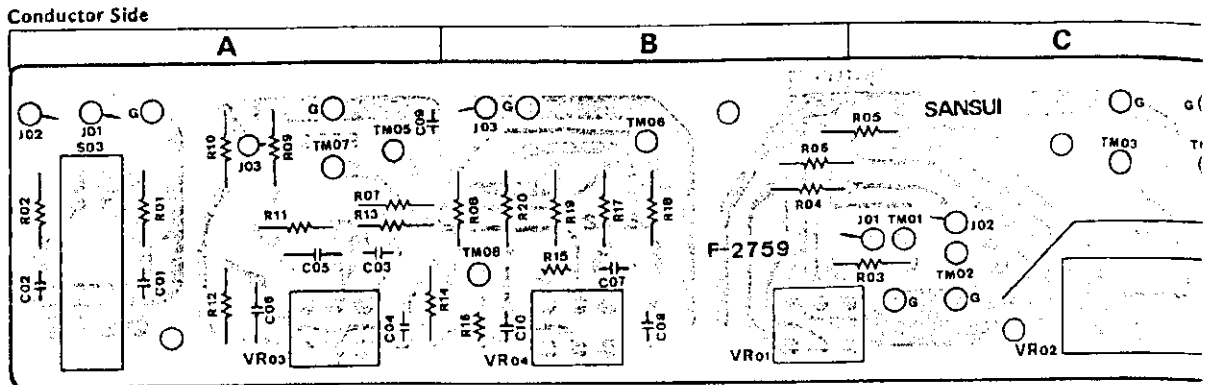
Parts List

Parts No.	Stock No.	Description	Position
*Transistor			
TR03, 04	0300470, 1	2SA726 F, G	3C, 4C
TR05, 06	0306740, 1	2SC1845 F, E	3B, 4B
TR07, 08	0301930, 1	2SA992 F, E	3B, 4B
TR09, 10	0306740, 1	2SC1845 F, E	3C, 4C
TR11, 12	0306970, 1	2SC1313 F, G	2B, 4B
TR13, 14	0308520, 1	2SD438 D, E	3B, 4B
TR15, 16	0303360, 1	2SB560MP D, E	4B
TR17, 18	0308541, 2	2SD188A R, Q	1A, 4A
TR19, 20	0303381, 2	2SB545A R, Q	2A, 3A
TR21, 22	0305951, 2	2SC945 Q, P	2, 3A, 3A
TR601	0305951, 2	2SC945 Q, P	1B
TR602	0305951, 2	2SC945 Q, P	1B, C
TR603	0308520, 1	2SD438 D, E	3C
TR604	0303360, 1	2SB560MP D, E	2C
*IC			
IC 01, 02	0380290, 1	2SA798 F, G	3C, 4C
*Diode			
D 01, 02	0311160	1S2473D	3B, 4B
D 03, 04	0311160	1S2473D	3A
D 601	0310400	1N34A	1B
D 602	0310400	1N34A	1B
D 603	0310400	1N34A	1B
D 604	0310400	1N34A	1B
D 605	0310340	10D1	1A
D 606	0310340	10D1	1C
D 607	0301340	10D1	3B
D 608	0310340	10D1	2B
D 609	0310340	10D1	3B
D 610	0310340	10D1	3B
D 611	0311530	30D2	2C
D 612	0311530	30D2	2C
D 613	0311530	30D2	2B
D 614	0311530	30D2	2B
*Varistor			
VS01, 02	0340150	MV12	3C, 4C
C			
C 05, 06	0620101	100pF 50V P.C.	3C, 4C
C 612	0549111	5800µF 50V E.C.	1B
C 613	0549111	5800µF 50V E.C.	1C
C 614	0603227	0.022µF 125V M.C.	3B
R			
R 23, 24	0191820	82Ω 1/4W F.R.	3B, 4B
R 29, 30	0193620	82Ω 1/4W F.R.	3C, 4C
R 39, 40	0191221	220Ω 1/4W F.R.	3B, 4B
R 41, 42	0191221	220Ω 1/4W F.R.	3B, 4B
R 43, 44	0191689	5.8Ω 1/4W F.R.	4B
R 45, 46	0191689	5.8Ω 1/4W F.R.	4B
R 47, 48	0132338	0.33Ω 2W Ca.R.	2A, 4A
R 49, 50	0132338	0.33Ω 2W Ca.R.	2A, 3A
R 51, 52	0231302	3.0kΩ 1/2W M.R.	3C, 4C
R 53, 54	0231241	240Ω 1/2W M.R.	3C, 4C
R 606	0211222	2.2kΩ 1W N.J.R.	2C
R 611	0103682	6.8kΩ 1/2W C.R.	1B
R 612	0103682	6.8kΩ 1/2W C.R.	1B
L			
L 01, 02	4210290	RF Coil 1.5µH	2A
RL			
RL601	1150400	Relay	1A
	1150480	Relay	
	1150490	Relay	
VR01, 02	1035050	470Ω B Volume, bias current	3B, 4B
F			
F 02, 03	0432290	5A 150V AC Fuse	2B
F 04	0432220	1A 250V AC Fuse	1C
	2030050	Power Transistor Socket	

Abbreviations

C.R.	: Carbon Resistor	E.C.	: Electrolytic Capacitor
S.R.	: Solid Resistor	BP.E.C.	: Bi-Polar Electrolytic Capacitor
Ca.R.	: Cement Resistor	C.C.	: Ceramic Capacitor
M.R.	: Metal Film Resistor	Mi.C.	: Mica Capacitor
F.R.	: Fusing Resistor	O.C.	: Oil Capacitor
N.I.R.	: Non-Inflammable Resistor	P.C.	: Polystyrene Capacitor
M.C.	: Mylar Capacitor	T.C.	: Tantalum Capacitor

C) F-2759 Tone Control Circuit Board (Stock No. 7562791)(AU-217II Only)



Parts List

Parts No.	Stock No.	Description	Position	Parts No.	Stock No.	Description	Position
VR01	1015270, 1	250k Ω MN x 2 Volume, balance	B	VR04	1015260, 1	100k Ω C x 2 Volume, treble	B
VR02	1011120, 1	250k Ω A x 2 Volume, master	C	S 04	1171020	Lever Switch, hi filter	
VR03	1015260, 1	100k Ω C x 2 Volume, bass	A				

Note: The circuit boards, F-2757, F-2755 & F-2731 are not supplied as the assembled, the individual parts on the circuit boards, however are provided for orders.

D) F-2757 Input Terminal
Circuit Board (AU-217II Only)

Parts List

Stock No.	Description
2200580	Input Terminal, tuner, aux, tape
2200600	Input Terminal, phone

E) F-2755 Output Connection
Circuit Board (AU-217II Only)

Parts List

Parts No.	Stock No.	Description
R 01, 02	0211100	10 Ω 1W N.I.R.
R 03, 04	0211221	220 Ω 1W N.I.R.
J 01	2430350	Jack, headphone

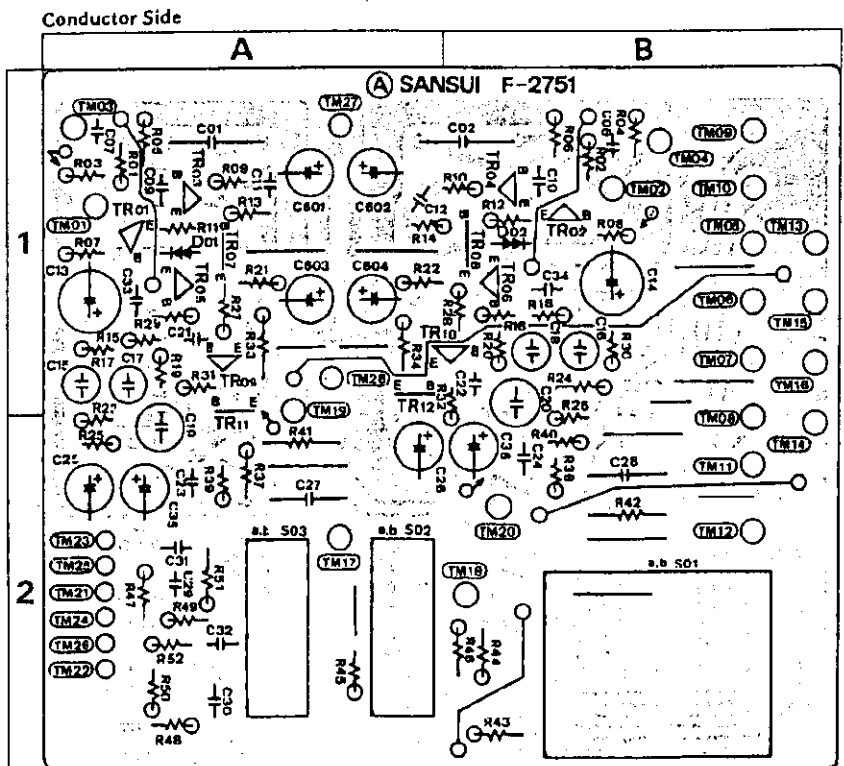
F) F-2731 Voltage Selecto
Circuit Board (AU-2)

Parts List

Parts No.	Stock No.	Description
F 01	0432240	2A 250V AC Fuse
	0432260	3A 250V AC Fuse
	2310220	Fuse Holder (Large)

3-3. AU-317II

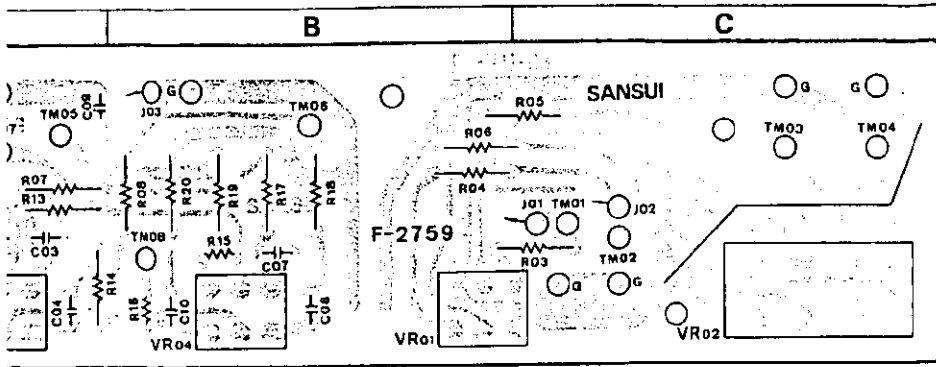
A) F-2751 Equalizer Circuit Board (Stock No. 7551501)(AU-317II Only)



Parts List

Parts No.	Stock No.	Description
*Transistor		
TR01, 02	0301090, 1	2SA992 F.E
TR03, 04	0301170, 1	2SA991 F.E
TR05, 06	0301170, 1	2SA991 F.E
TR07, 08	0306740, 1	2SC1845 F.E
TR09, 10	0306740, 1	2SC1845 F.E
TR11, 12	0303360, 1	2SB650MP D.E
*Varistor		
O 01, 02	0340150	MV12
C 01, 02	0602109	1.0 μ F 100VV M.C.
C 07, 08	0620101	100pF 50V P.C.
C 11, 12	0620101	100pF 50V P.C.
C 15, 16	0620151	150pF 50V P.C.
C 17, 18	0625272	2700pF 50VV P.C.
C 19, 20	0625103	10000pF 50VV P.C.
C 31, 32	0820391	390pF 50V P.C.
R 15, 16	0231561	560 Ω 1/2W M.R.
R 17, 18	0231220	22 Ω 1/2W M.R.
R 19, 20	0231273	27k Ω 1/2W M.R.
R 23, 24	0231304	300k Ω 1/2W M.R.
R 25, 26	0231153	15k Ω 1/2W M.R.
R 33, 34	0103392	3.9k Ω 1/2W C.R.
S 01	1102740	Rotary Switch, input set
S 02	1171030	Lever Switch, tape mont
S 03	1171020	Lever Switch, loudness

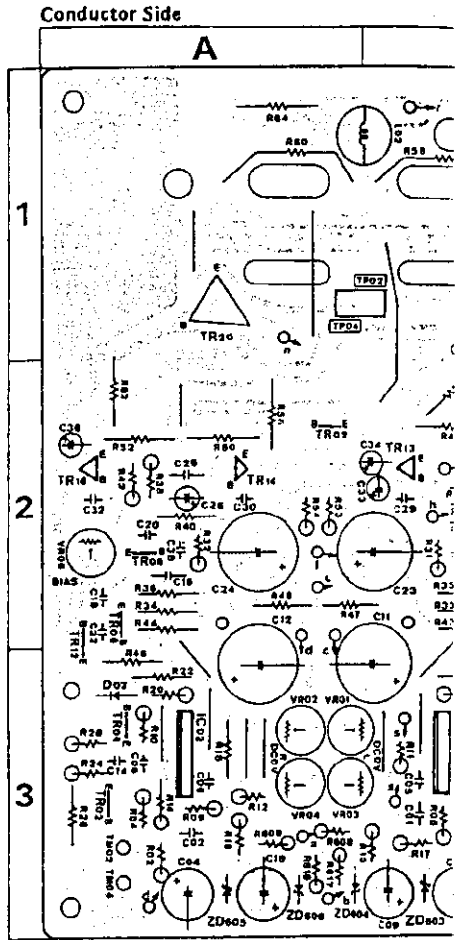
Circuit Board (Stock No. 7562791) (AU-217II Only)



No.	Description	Position	Parts No.	Stock No.	Description	Position
1	250kΩ MN x 2 Volume, balance	B	VR04	1015260, 1	100kΩ C x 2 Volume, treble	B
1	250kΩ A x 2 Volume, master	C				
1	100kΩ C x 2 Volume, bass	A	S 04	1171020	Lever Switch, hi filter	

boards, F-2751, F-2755 & F-2731 are not supplied as the assembled, the individual circuit boards, however are provided for orders.

B) F-2754 Power Amplifier Circuit



E) F-2755 Output Connection
Circuit Board (AU-217II Only)

Parts List

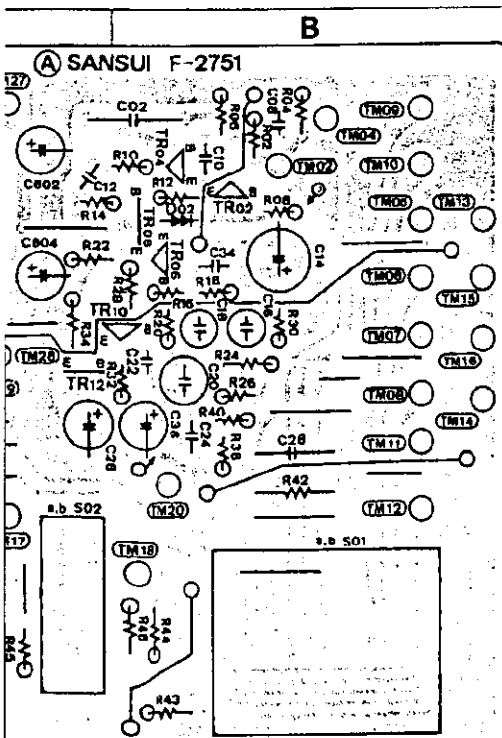
Parts No.	Stock No.	Description
R 01, 02	0211100	10Ω 1W N.I.R.
R 03, 04	0211221	220Ω 1W N.I.R.
J 01	2430350	Jack, headphone

F) F-2731 Voltage Selector
Circuit Board (AU-217II Only)

Parts List

Parts No.	Stock No.	Description
F 01	0432240	2A 250V AC Fuse
	0432260	3A 250V AC Fuse
	2310220	Fuse Holder (Large)

Board (Stock No. 7551501) (AU-317II Only)



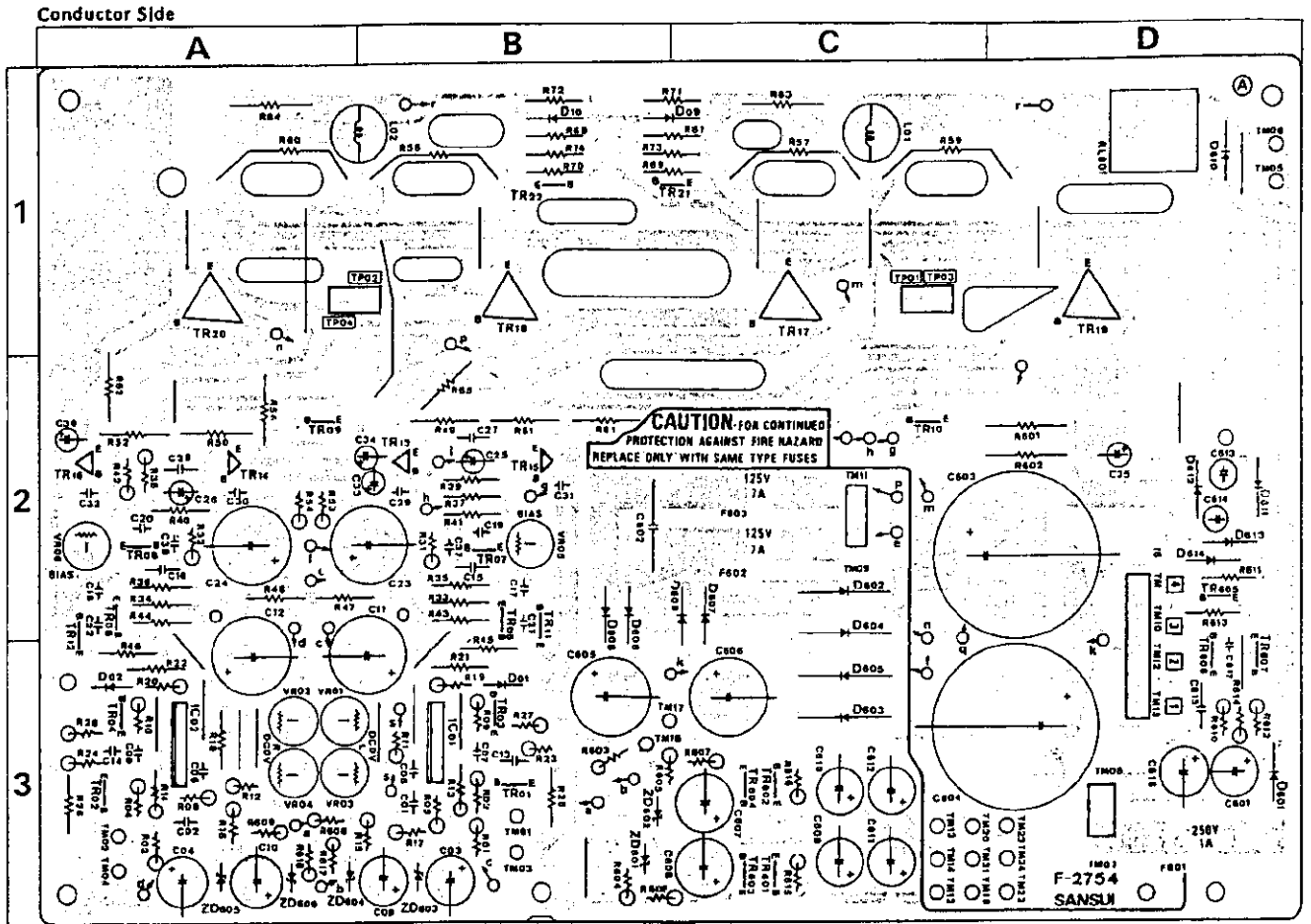
Parts List

Parts No.	Stock No.	Description	Position
*Transistor			
TR 01, 02	0301090, 1	2SA992 F, E	1A, 1B
TR 03, 04	0301170, 1	2SA991 F, E	1A, 1B
TR 05, 06	0301170, 1	2SA991 F, E	1A, 1B
TR 07, 08	0300760, 1	2SA917 1, 2	2B, 2A
TR 09, 10	0306070, 1	2SC1313 F, G	2A, 2C
TR 11, 12	0306360, 1	2SC1951 1, 2	2B, 2A
TR 13, 14	0308611, 2	2SD367 D, E	2B, 2A
TR 15, 16	0303441, 2	2SB527 D, E	2B, 2A
TR 17, 18	0306571, 2	2SC2261 D, Y	1C, 1B
TR 19, 20	0300951, 2	2SA991 O, Y	1D, 1A
TR 21, 22	0305951, 2	2SC945 O, P	1C, 1B
TR 601	0308611, 2	2SD357 D, E	3C
TR 602	0303441, 2	2SB527 D, E	3C
TR 603	0306740, 1	2SC1845 F, E	3C
TR 604	0301090, 1	2SA992 F, E	3C
TR 605	0305951, 2	2SC945 Q, P	2D
TR 606	0305951, 2	2SC945 Q, P	3D
TR 607	0305951, 2	2SC945 Q, P	3D
*Diodes			
IC 01, 02	0370281, 2	2SK109 D, E	3B, 3A
*Resistors			
R 15, 16	0231561	560Ω 1/2W M.R.	1A, 1B
R 17, 18	0231220	22Ω 1/2W M.R.	1A, 1B
R 19, 20	0231273	27kΩ 1/2W M.R.	1A, 1B
R 23, 24	0231304	300kΩ 1/2W M.R.	2A, 1B
R 25, 26	0231153	15kΩ 1/2W M.R.	2A, 2B
R 33, 34	0103392	3.9kΩ 1/2W C.R.	1A
*Switches			
S 01	1102740	Rotary Switch, input selector 1B	
S 02	1171030	Lever Switch, tape monitor 2A	
S 03	1171020	Lever Switch, loudness 2A	

Parts List

Parts No.	Stock No.	Description	Position
*Transistor			
TR 01, 02	0306740, 1	2SC1845 F, E	3B, 3A
TR 03, 04	0306740, 1	2SC1845 F, E	3B, 3A
TR 05, 06	0301090, 1	2SA992 F, E	2B, 2A
TR 07, 08	0300760, 1	2SA917 1, 2	2B, 2A
TR 09, 10	0306070, 1	2SC1313 F, G	2A, 2C
TR 11, 12	0306360, 1	2SC1951 1, 2	2B, 2A
TR 13, 14	0308611, 2	2SD367 D, E	2B, 2A
TR 15, 16	0303441, 2	2SB527 D, E	2B, 2A
TR 17, 18	0306571, 2	2SC2261 D, Y	1C, 1B
TR 19, 20	0300951, 2	2SA991 O, Y	1D, 1A
TR 21, 22	0305951, 2	2SC945 O, P	1C, 1B
TR 601	0308611, 2	2SD357 D, E	3C
TR 602	0303441, 2	2SB527 D, E	3C
TR 603	0306740, 1	2SC1845 F, E	3C
TR 604	0301090, 1	2SA992 F, E	3C
TR 605	0305951, 2	2SC945 Q, P	2D
TR 606	0305951, 2	2SC945 Q, P	3D
TR 607	0305951, 2	2SC945 Q, P	3D
*Diodes			
IC 01, 02	0370281, 2	2SK109 D, E	3B, 3A
*Resistors			
D 01, 02	0311160	1S2473D	3B, 3A

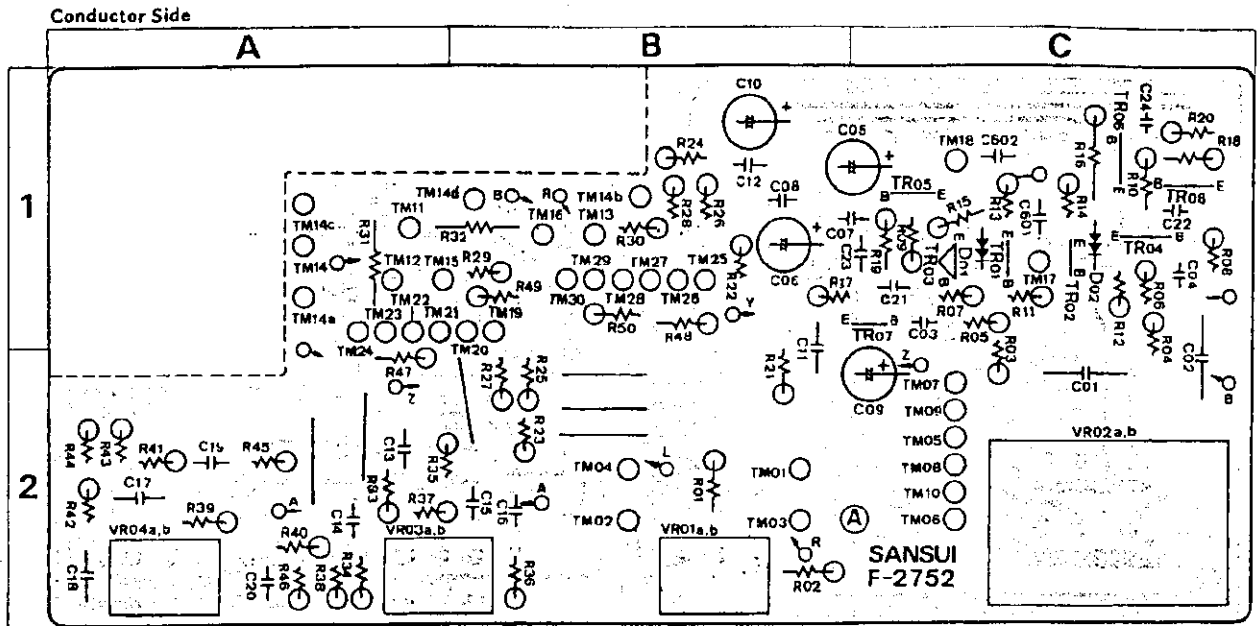
B) F-2754 Power Amplifier Circuit Board (Stock No. 7572231)(AU-317II Only)



Parts List

Position	Parts No.	Stock No.	Description	Position	Parts No.	Stock No.	Description	Position	Parts No.	Stock No.	Description	Position				
	*Transistor															
	TR01, 02	0306740, 1	2SC1845 F, E	3B, 3A	D 09, 10	0311160	1S24730	1B	R 35, 36	0191820	82Ω 1/4W F.R.	2B, 2A				
1A, 1B	TR03, 04	0306740, 1	2SC1845 F, E	3B, 3A	D 801	0310340	10D1	3D	R 45, 46	0191820	82Ω 1/4W F.R.	3B, 3A				
1A, 1B	TR05, 06	0301090, 1	2SA992 F, E	1B, 2A	D 602	0311570	ERD03-02H	2C	R 57, 58	0135338	0.33Ω 5W Ce.R.	1C, 1B				
1A, 1B	TR07, 08	0300760, 1	2SA917 1, 2	2B, 2A	D 603	0311570	ERD03-02H	3C	R 59, 60	0135338	0.33Ω 5W Ce.R.	1C, 1A				
1A, 1B	TR09, 10	0308070, 1	2SC1313 F, G	2A, 2C	D 604	0311570	ERD03-02H	2C	R 63, 64	0212279	2.2Ω 2W N.I.R.	1C, 1A				
1A	TR11, 12	0308390, 1	2SC1951 1, 2	2B, 2A	D 605	0311570	ERD03-02H	3C	A 601	0103822	8.2kΩ 1/2W C.R.	2D				
	TR13, 14	0308611, 2	2SD357 D, E	2B, 2A	D 606	0310340	10D1	2B	A 602	0103822	8.2kΩ 1/2W C.R.	2D				
	TR15, 16	0303441, 2	2SB527 D, E	2B, 2A	D 607	0310340	10D1	2C	R 603	0202272	2.7kΩ 2W N.I.R.	3B				
1A, 1B	TR17, 18	0306571, 2	2SC2261 O, Y	1C, 1B	D 608	0310340	10D1	2B	L 01, 02	4210290	RF Coil 1.5μH	1C, 1B				
	TR19, 20	0300951, 2	2SA981 O, Y	1D, 1A	D 610	0310340	10D1	1D								
	TR21, 22	0305951, 2	2SC945 Q, P	1C, 1B	D 611 - 14	0310400	1N34A	2D								
1A, 1B	TR601	0308611, 2	2SD357 D, E	3C	*Zener Diode											
1A, 1B	TR602	0303441, 2	2SB527 D, E	3C	ZD601	0316110	EQA01-30R	3B	RL01	1150400	Relay					
1A	TR603	0306740, 1	2SC1845 F, E	3C	ZD602	0316110	EQA01-30R	3B		1150480	Relay					
1A, 1B	TR604	0301090, 1	2SA992 F, E	3C	ZD603, 04	0316020	EQA01-18R	3A, 3A		1150490	Relay					
1A, 1B	TR605	0305951, 2	2SC945 Q, P	2D	ZD605, 06	0316020	EQA01-18R	3A, 3A	VR01, 02	1034230	2.2kΩ B Volume, DC 0V	3A				
2A, 1B	TR606	0305951, 2	2SC945 Q, P	3D					VR03, 04	1034150	100Ω B Volume, DC 0V	3A				
2A	TR607	0305951, 2	2SC945 Q, P	3D	C 01, 02	0620101	100pF 50V P.C.	3B, 3A	VR05, 06	1035070	1kΩ B Volume, bias current	2B				
1A, 1B	IC 01, 02	0370281, 2	25K109 D, E	3B, 3A	C 07, 08	0620271	270pF 50V P.C.	1B, 3A	F 601	0432220	1A 250V AC Fuse	3D				
1A, 1B					C 602	0605477	0.047μF 250V M.C.	2B	F 602, 03	0432500	7A 125V AC Fuse	2C				
1A, 1B					C 603	0549905	10000μF 58V E.C.	2D		2030050	Power Transistor Socket					
2A, 1B					C 604	0549905	10000μF 58V E.C.	3D								
2A, 2B	D 01, 02	0311160	1S24730	3B, 3A	C 901, 02	0602109	1.0μF 100V M.C.									
1A																
1B																
2A																

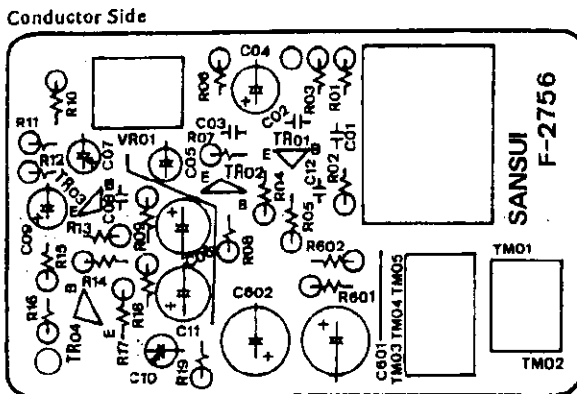
C) F-2752 Tone Control Circuit Board (Stock No. 7562801)(AU-317II Only)



Parts List

Parts No.	Stock No.	Description	Position	Parts No.	Stock No.	Description	Position	Parts No.	Stock No.	Description	Position
*Transistor				*Varistor				VR02	1090290	150kΩ B x 2	2C
TR01,02	0301090,1	2SA992 F, E	1C	D 01,02	0340150	MV12	1C	VR03	1015310,1	100kΩ C x 2	2A
TR03,04	0301170,1	2SA991 F, E	1C	R 17,18	0193680	68Ω 1/4W F.R.	1B,1C	VR04	1015310,1	100kΩ C x 2	2A
TR05,06	0301170,1	2SA991 F, E	1C	VR01	1015320,1	250kΩ MN x 2	2B			100kΩ C x 2	
TR07,08	0306740,1	2SC1845 F, E	1C							Volume, bass	

D) F-2756 Mic Amp Circuit Board (Stock No. 7610431)(AU-317II Only)



Parts List

Parts No.	Stock No.	Description
*Transistor		
TR01	0301090,1	2SA992 F, E
TR02	0306740,1	2SC1845 F, E
TR03	0301090,1	2SA992 F, E
TR04	0306740,1	2SC1845 F, E
R 801,802	0193121	120Ω 1/4W F.R.
VR01	1090270	20kΩ (A) Volume, mixing level
J 01	2430330	Jack Mic

Note: The circuit boards, F-2750, F-2768, F-2753 & F-2731 are not supplied as the assembled, the individual parts on the circuit boards, however are provided for orders.

E) F-2750 Input Terminal Circuit Board (AU-317II Only)

Parts List

Parts No.	Stock No.	Description
2200580		Input Terminal, tuner, aux, tape
2200600		Input Terminal, phono

F) F-2768 Output Connection Circuit Board (AU-317II Only)

Parts List

Parts No.	Stock No.	Description
R 01,02	0212221	220Ω 2W N.I.R.
R 03,04	0202100	10Ω 2W N.I.R.
J 01	2430350	Jack, headphone

G) F-2753 Filter Circuit Board(AU-317II Only)

Parts List

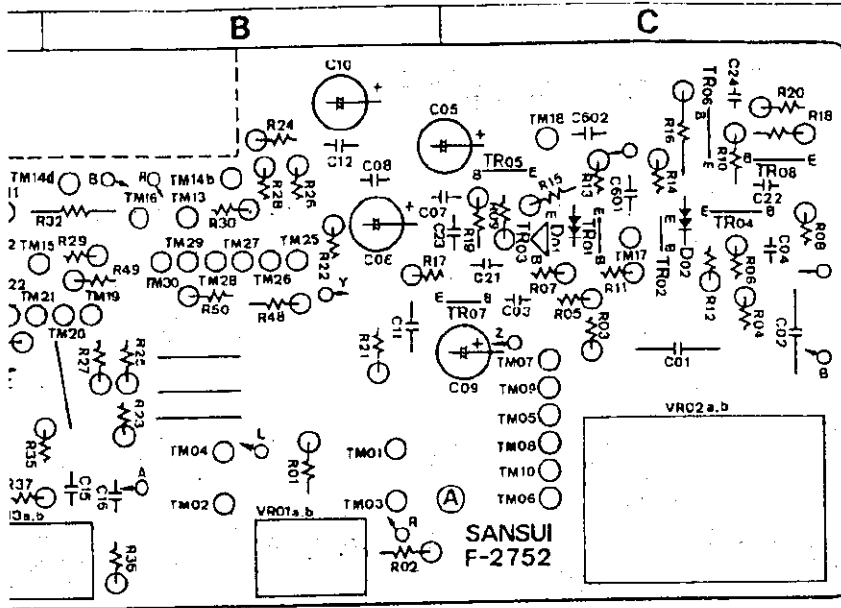
Parts No.	Stock No.	Description
S 01	1171040	Lever Switch, tone defeat
S 02	1171020	Lever Switch, high filter

H) F-2731 Voltage Selector Circuit Board (AU-317II Only)

Parts List

Parts No.	Stock No.	Description
F 01	0432260	3A 250V AC Fuse
	0432290	5A 125V AC Fuse
	2310220	Fuse Holder (Large)

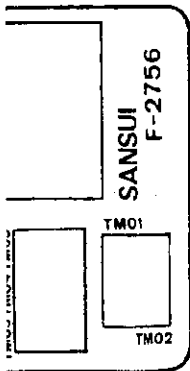
Standard (Stock No. 7562801)(AU-317II Only)



Parts No.	Stock No.	Description	Position
*Varistor			
D 01, 02	0340150	MV12	1C
R 17, 18	0193680	68Ω 1/4W F.R.	1B, 1C
VR01	1015320, 1	250kΩ MN x 2 Volume, balance	2B

Parts No.	Stock No.	Description	Position
VH02	1090290	150kΩ B x 2 Volume, master	2C
VR03	1015310, 1	100kΩ C x 2 Volume, treble	2A
VR04	1015310, 1	100kΩ C x 2 Volume, bass	2A

(Stock No. 7610431)(AU-317II Only)



Note: The circuit boards, F-2750, F-2768, F-2753 & F-2731 are not supplied as the assembled, the individual parts on the circuit boards, however are provided for orders.

E) F-2750 Input Terminal Circuit Board (AU-317II Only)

Parts No.	Stock No.	Description
	2200580	Input Terminal, tuner, aux, tape
	2200400	Input Terminal, phono

F) F-2768 Output Connection Circuit Board (AU-317II Only)

Parts No.	Stock No.	Description
R 01, 02	0212221	220Ω 2W N.I.R.
R 03, 04	0202100	10Ω 2W N.I.R.
J 01	2430350	Jack, headphone

G) F-2753 Filter Circuit Board (AU-317II Only)

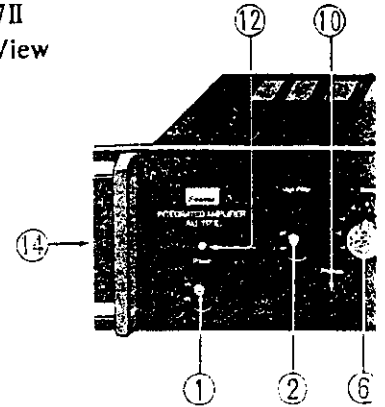
Parts No.	Stock No.	Description
S 01	1171040	Lever Switch, tone defeat
S 02	1171020	Lever Switch, high filter

H) F-2731 Voltage Selector Circuit Board (AU-317II Only)

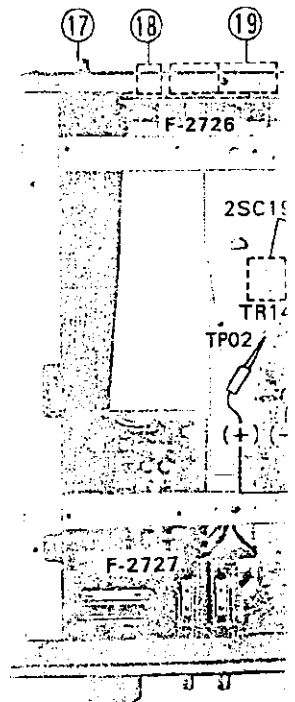
Parts No.	Stock No.	Description
F 01	0432280	3A 250V AC Fuse
	0432290	5A 125V AC Fuse
	2310220	Fuse Holder (Large)

4. OTHER PARTS

4-1. AU-117II Front View



Bottom View

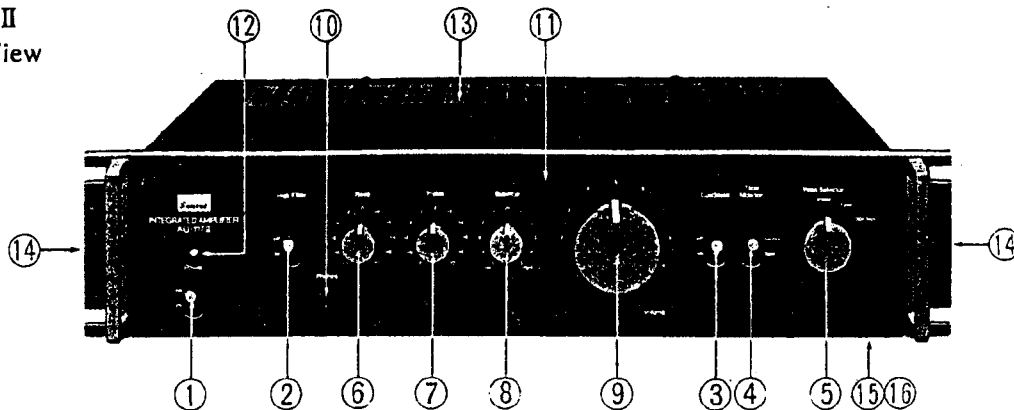


Parts List (Front & Bottom View)

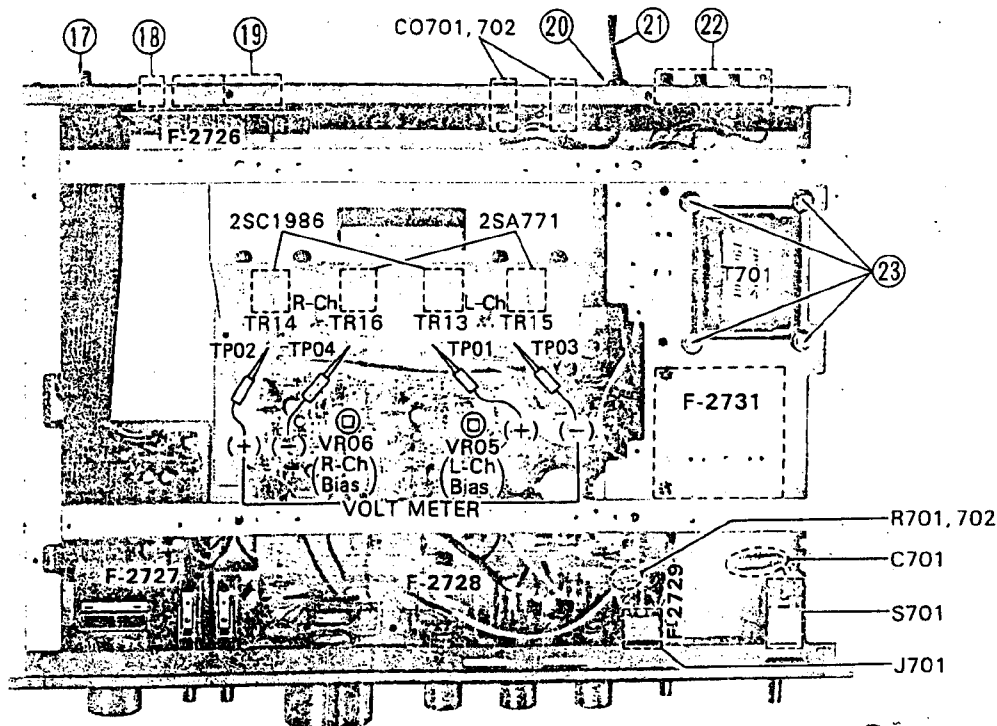
Parts No.	Stock No.	Description	Parts No.
1	5326612	Lever Switch Knob	9
	1172000	Lever Switch, power	
2	5326612	Lever Switch Knob	
	1171020	Lever Switch, high filter	
3	5326612	Lever Switch Knob	10
	1171020	Lever Switch, loudness	11
	5326612	Lever Switch Knob	
4	1171050	Lever Switch, tape monitor	12
	5318920	M-10 TY Knob	13
5	1101800	Rotary Switch, input selector	14
	5048040	Masking Sheet (B)	15
	5318930	S-14 TY Knob	16
6	1015260, 1	100kΩ (C) x 2 Bass Volume	17
	5048020	Masking Sheet (D)	18
	5318930	S-14 TY Knob	19
7	1015260, 1	100kΩ (C) x 2 Treble Volume	20
	5048020	Masking Sheet (D)	21
	5318930	S-14 TY Knob	22
8	1015270, 1	250kΩ (MN) x 2 Balance Volume	23
	5048020	Masking Sheet (D)	

4. OTHER PARTS

4-1. AU-117II Front View



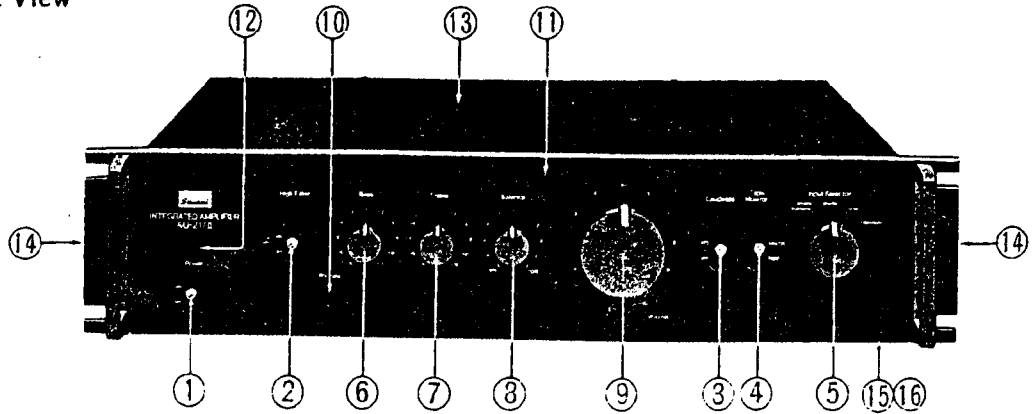
Bottom View



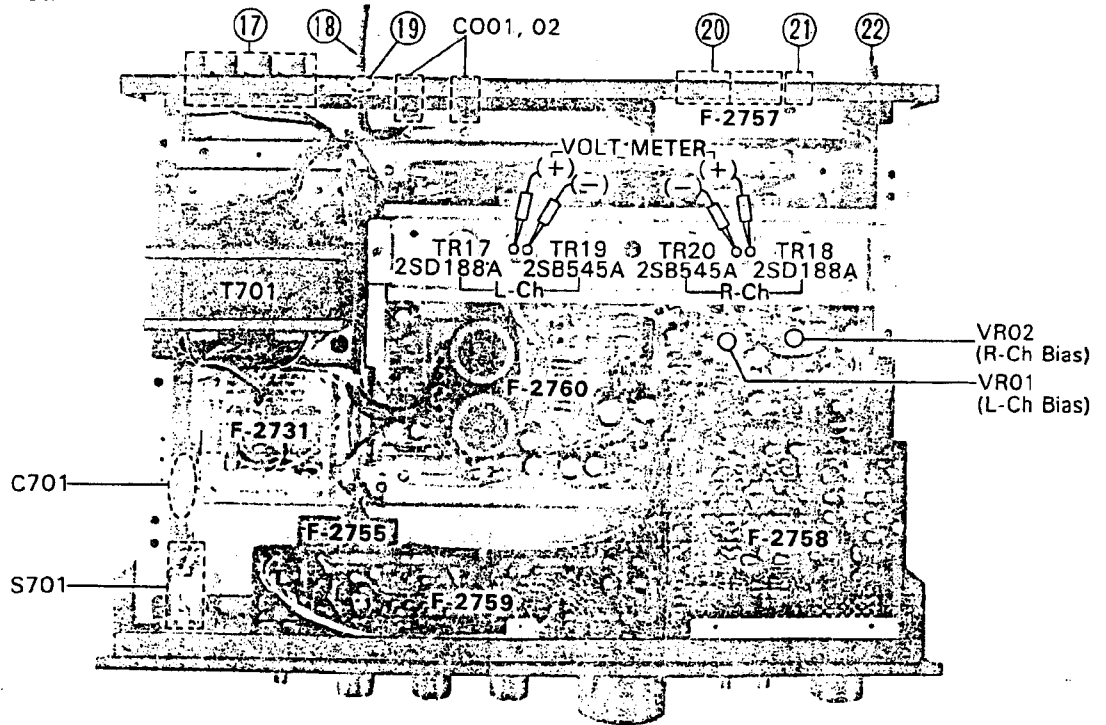
Parts List (Front & Bottom View)

Parts No.	Stock No.	Description	Parts No.	Stock No.	Description	Parts No.	Stock No.	Description
1	5326612	Lever Switch Knob	9	5318910	Volume Knob	Transistor		
	1172000	Lever Switch, power		1011120, 1	250k Ω x 2 Volume	TR13, 14	0306541, 2	2SC1986 O.Y
2	5326612	Lever Switch Knob		5048050	Masking Sheet (A)	TR15, 16	0300811, 2	2SA771 O.Y
	1171020	Lever Switch, high filter		5288962	Plate For VR (M8)	C 701	0659811	0.01 μ F 125V C.C.
3	5326612	Lever Switch Knob	10	2430300	Head Phone Jack	R 701, 702	0201221	220 Ω 1W N.I.R.
	1171020	Lever Switch, loudness	11	7008250	Front Panel Assy	CO701, 702	2450070	AC Outlet
4	5326612	Lever Switch Knob	12	0319120	LED	T 701	4003060	Power Transformer
	1171050	Lever Switch, tape monitor	13	5006920	Bonnet	J 701	2430300	Head Phone Jack
5	5318920	M-10 TY Knob	14	5398700	Rack-mounting Adaptor (each)	S 701	1172000	Power Switch
	1015260, 1	Rotary Switch, input selector	15	5058773	Bottom Plate			
	5048040	Masking Sheet (B)	16	5507350	Leg			
6	5318930	S-14 TY Knob	17	2230150	Ground Terminal			
	1015260, 1	100k Ω (C) x 2 Bass Volume	18	2200580	Input Terminal, tuner, aux, tape			
	5048020	Masking Sheet (D)	19	2200600	Input Terminal, phono			
7	5318930	S-14 TY Knob	20	3910600	Strain Relief			
	1015260, 1	100k Ω (C) x 2 Treble Volume	21	3800470	Power Card			
	5048020	Masking Sheet (D)	22	2210410	Speaker Terminal			
8	5318930	S-14 TY Knob	23	5110903	Flange Nut			
	1015270, 1	250k Ω (MN) x 2 Balance Volume						
	5048020	Masking Sheet (D)						

4-2. AU-217Π
Front View



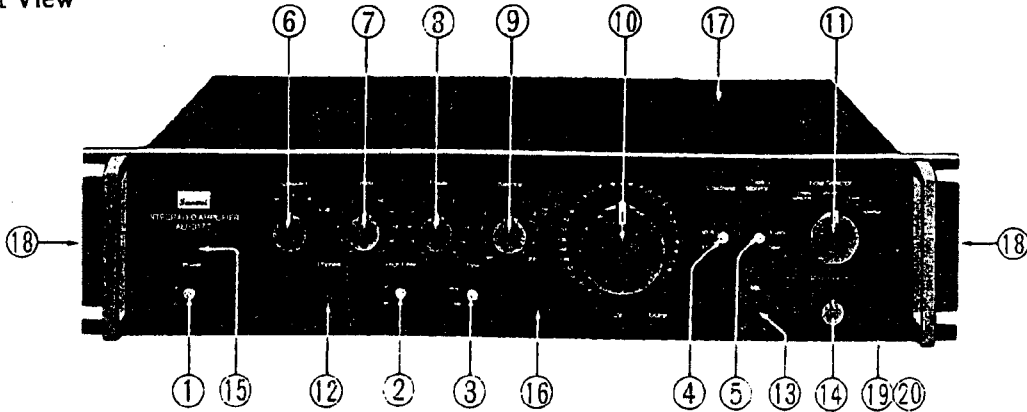
Top View



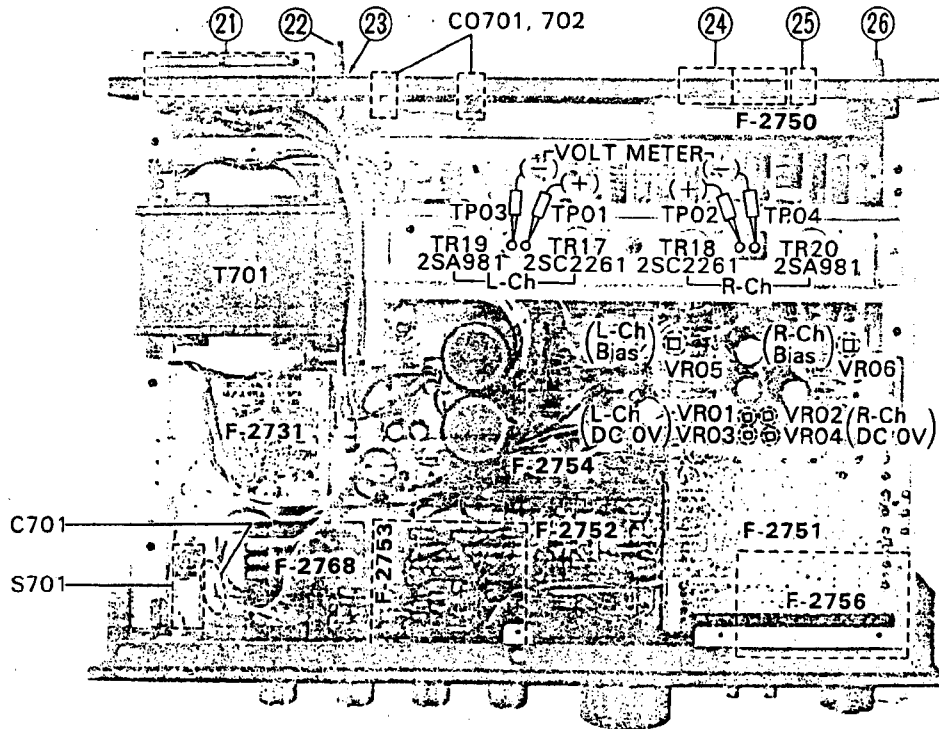
Parts List (Front & Top View)

Parts No.	Stock No.	Description	Parts No.	Stock No.	Description	Parts No.	Stock No.	Description
1	5326612	Lever Switch Knob, power	8	5318930	S-14 TY Knob, balance volume	19	3910600	Strain Relief
	1172000	Lever Switch, power		1015270, 1	250kΩ (MN) x 2 Balance Volume	20	2200580	Input Terminal, tuner, au x, tape
2	5326612	Lever Switch Knob, high filter		5048020	Masking Sheet (D)	21	2200600	Input Terminal, phone
	1171020	Lever Switch, high filter		5318910	Volume Knob	22	2230150	Ground Terminal
3	5326612	Lever Switch Knob, loudness	9	1011120, 1	250kΩ x 2 Volume		5288721	Plate D03, D04 on F-2760
	1171020	Lever Switch, loudness		5048030	Masking Sheet (A)			
4	5326612	Lever Switch Knob, tape monitor		5288962	Plate (MB), volume	*Transistor		
	1171030	Lever Switch, tape monitor	10	2430350	Head Phone Jack	TR17, 18	0308541, 2	2SD188A R,0
5	5318920	M-10 TY Knob, input selector	11	7008210	Front Panel Assy	TR19, 20	0303381, 2	2SB545A R,0
	1102740	Rotary Switch, input selector		0319120	LED			
	5048040	Masking Sheet (B)	12	0319120	LED	C 701	0659811	0.01μF 125V C.C.
6	5318930	S-14 TY Knob, bass volume	13	5006930	Bonnet	T 701	4003050	Power Transformer
	1015260, 1	100kΩ (C) x 2 Bass Volume	14	5396700	Back-mounting Adaptor (each)	S 701	1172000	Power Switch
	5048020	Masking Sheet (D)	15	5058762	Bottom Plate			
7	5318930	S-14 TY Knob, treble volume	16	5507350	Leg			
	1015260, 1	100kΩ (C) x 2 Treble Volume	17	2210410	Speaker Terminal			
	5048020	Masking Sheet (D)	18	3800470, 1	Power Cord	C0701, 702	2450070	AC Outlet

4.3. AU-317II
Front View



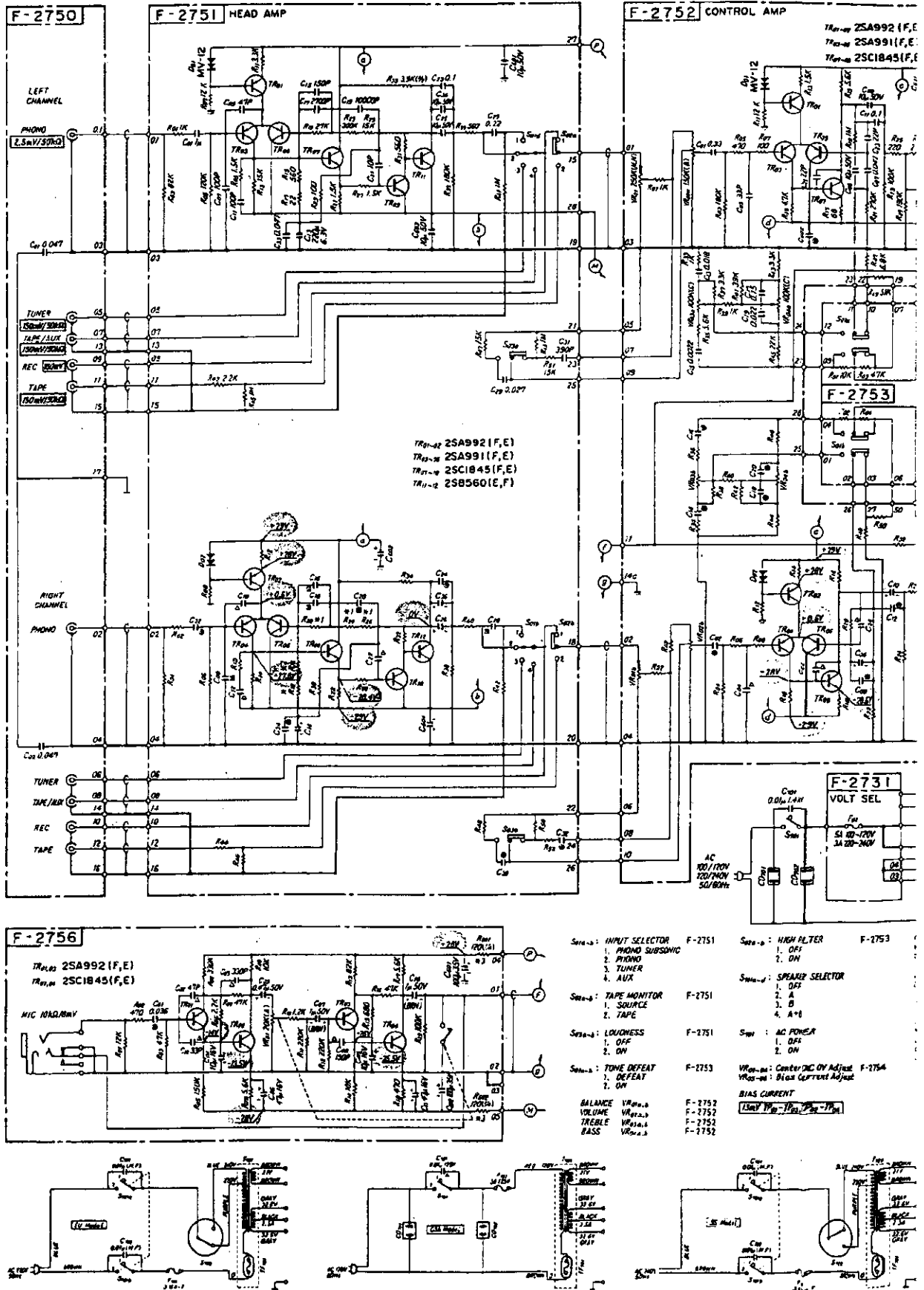
Top View



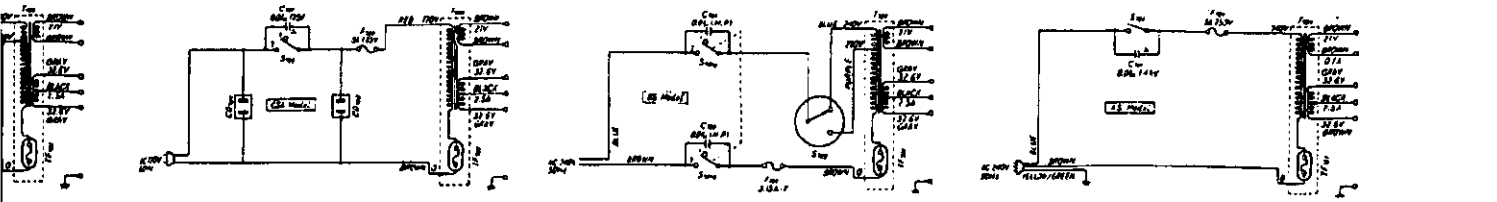
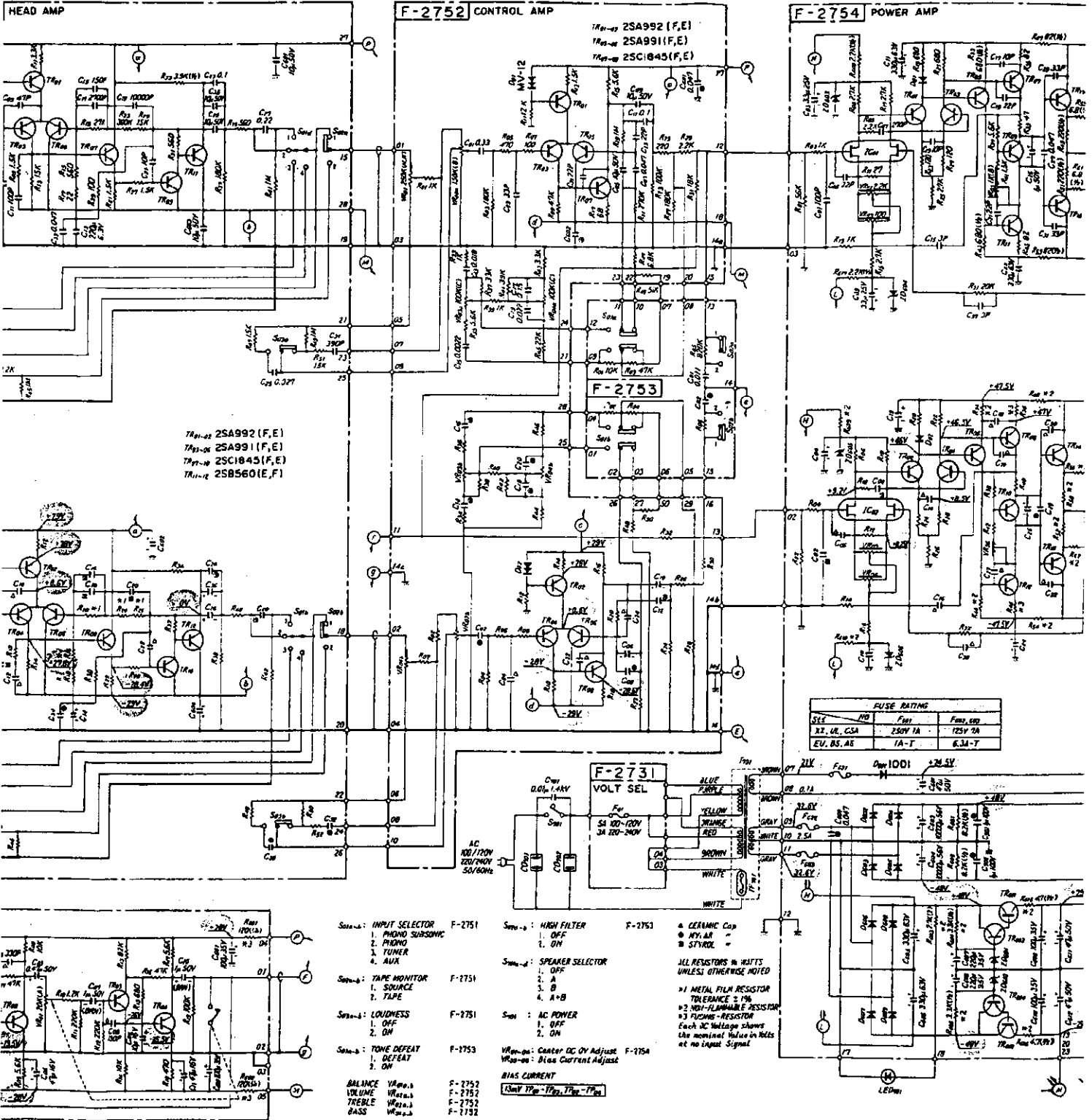
Parts List <Front & Top View>

Parts No.	Stock No.	Description	Parts No.	Stock No.	Description	Parts No.	Stock No.	Description
1	5326612	Lever Switch Knob, power	9	5318930	S-14 TY Knob, balance volume	18	5396700	Rack-mounting Adaptor (each)
	1172010	Lever Switch, power		1015320, 1	250kΩ (MNI) x 2 Balance Volume	19	5058762	Bottom Plate
2	5326612	Lever Switch Knob, high filter		5048030	Masking Sheet (C)	20	5507350	Leg
	1171020	Lever Switch, high filter		5318910	Volume Knob	21	2260190	Speaker Terminal
3	5326612	Lever Switch Knob, tone defeat	10	1090290	150kΩ x 2 Volume	22	3800470, 1	Power Cord
	1171040	Lever Switch, tone defeat		5048050	Masking Sheet (A)	23	3910600	Strain Relief
4	5326612	Lever Switch Knob, loudness		5236741	Plate (M8), volume	24	2200580	Input Terminal, tuner, aux, tape
	1171020	Lever Switch, loudness		5318920	M-10 TY Knob, input selector	25	2200600	Input Terminal, phono
5	5326612	Lever Switch Knob, tape monitor	11	1102740	Rotary Switch, input selector	26	2230150	Ground Terminal
	1171030	Lever Switch, tape monitor		5048040	Masking Sheet (B)		5288721	Plate, D09, D10 on F-2754
6	5318930	S-14 TY Knob, speakers	12	2430350	Jack, headphone			
	1101560, 1	Rotary Switch, speakers	13	2430330	Mic Jack			
	5048030	Masking Sheet (C)	14	5318940	E-18 TY Knob, mic mixing level volume	*Transistor		
7	5318930	S-14 TY Knob, bass volume		5048040	Masking Sheet (B)	TR17, 18	0306571, 2	2SC2261 O, Y
	1015310, 1	100kΩ (C) x 2 Bass Volume		1080270	20kΩ (A) Mic Mixing Level Volume	TR19, 20	0300951, 2	2SA981 O, Y
	5048030	Masking Sheet (C)	15	0319120	Light Emitted Diode	C 701	0659811	0.01μF 125V C.C.
8	5318930	S-14 TY Knob, treble volume	16	7008230	Front Panel Ass'y	T 701	4003040	Power Transformer
	1015310, 1	100kΩ (C) x 2 Treble Volume	17	0319120	LED	CO701, 702	2450070	AC Outlet
	5048030	Masking Sheet (C)		5006930	Bonnet	F 701	0431280	5A 250V AC Fuse
						S 701	1172000	Power Switch

5. SCHEMATIC DIAGRAM 5-1. AU-317II



AGRAM 5-1. AU-317II



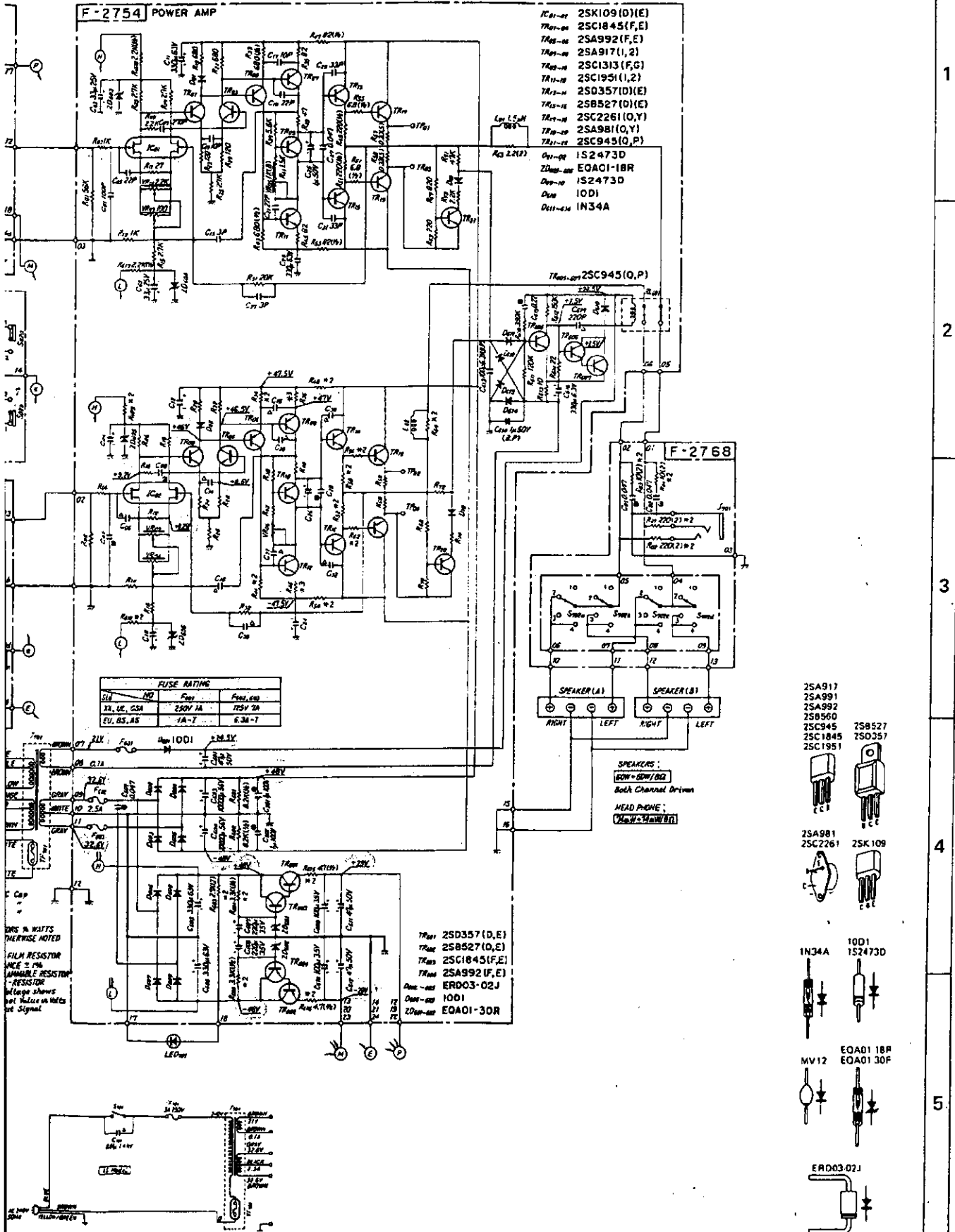
• Design and specifications subject to change without notice for improvement.
• La présentation et les spécifications sont susceptibles d'être modifiées sans préavis par suite d'améliorations éventuelles.
• Änderungen, die dem technischen Fortschritt dienen, bleiben vorbehalten.

E

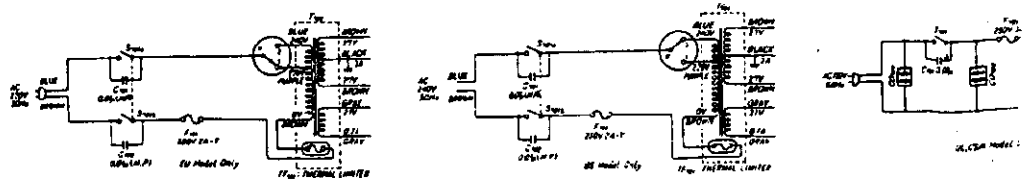
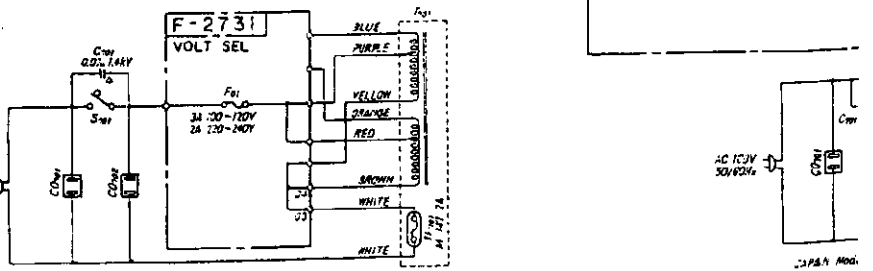
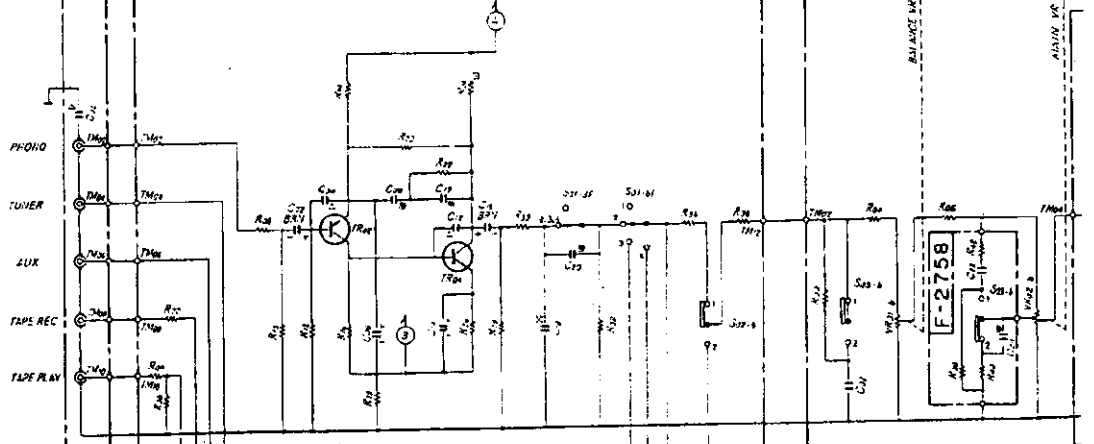
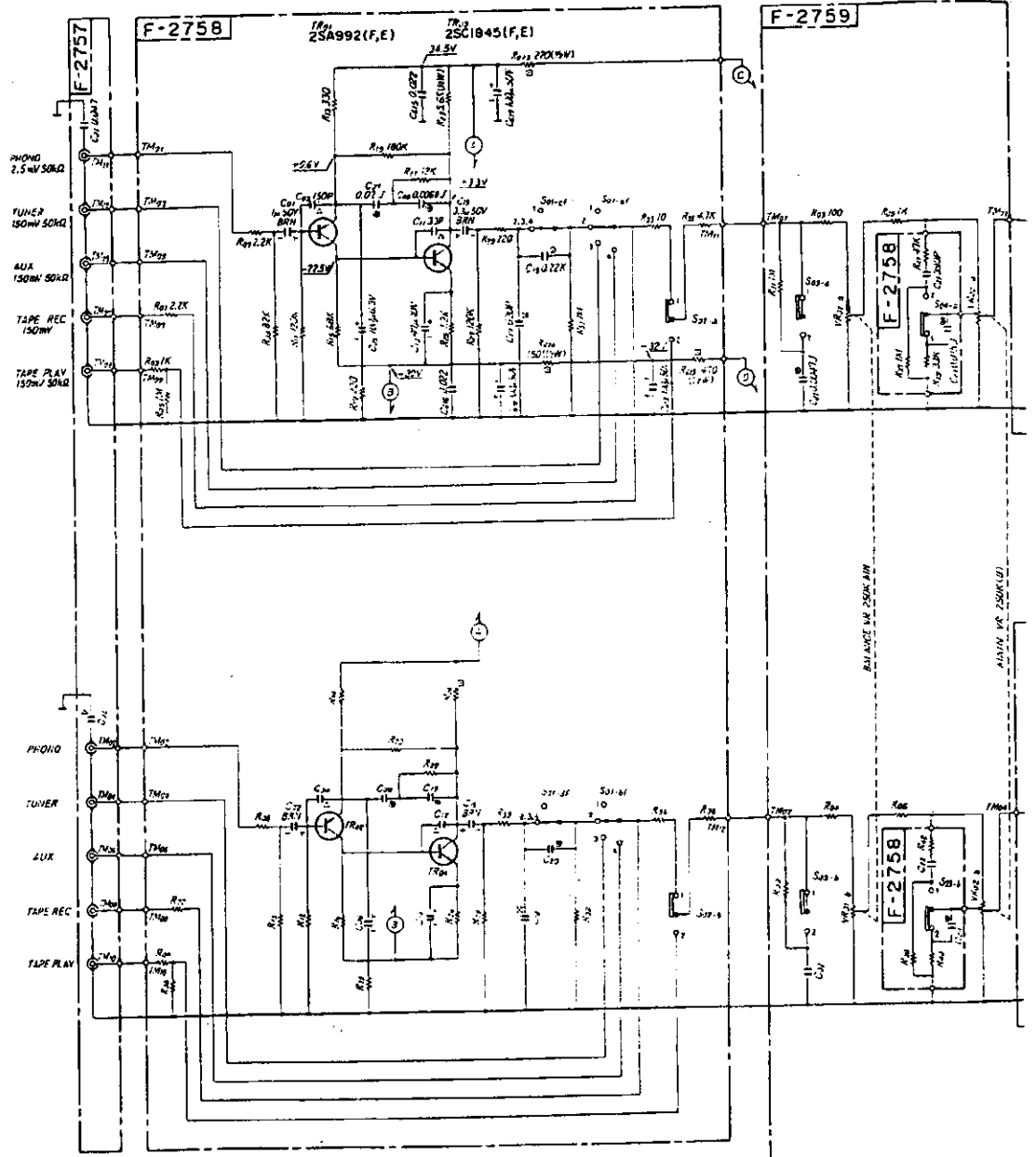
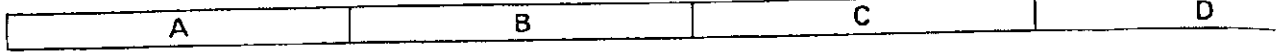
F

G

H



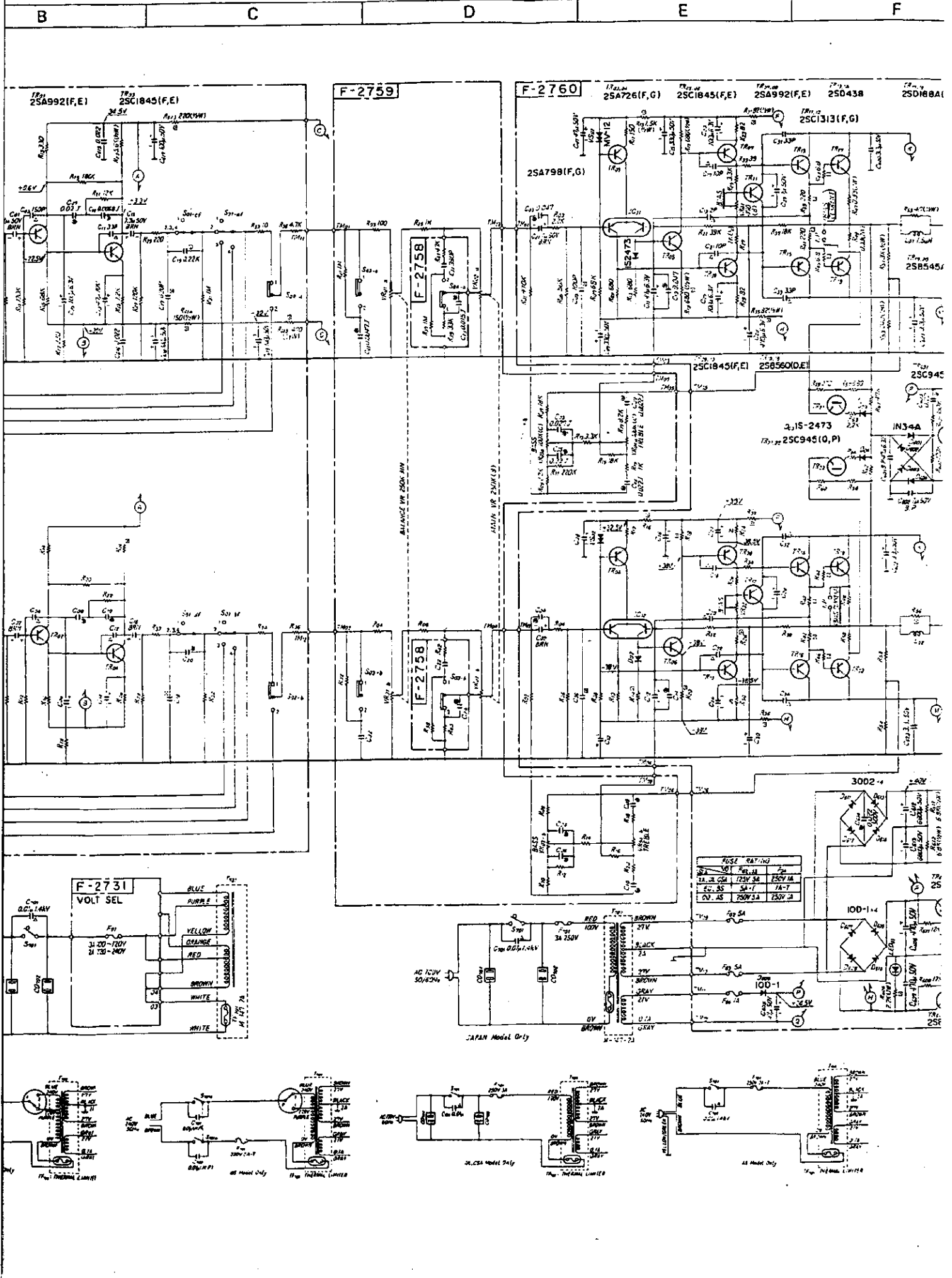
5-2. AU-217II



AU-117II/AU-217II
AU-317II

AU-117II/AU-217II
AU-317II

• Design and specifications subject to change without notice.
• La présentation et les spécifications sont susceptibles de changer sans préavis.
• Änderungen, die dem technischen Fortschritt dienen, sind vorbehalten.



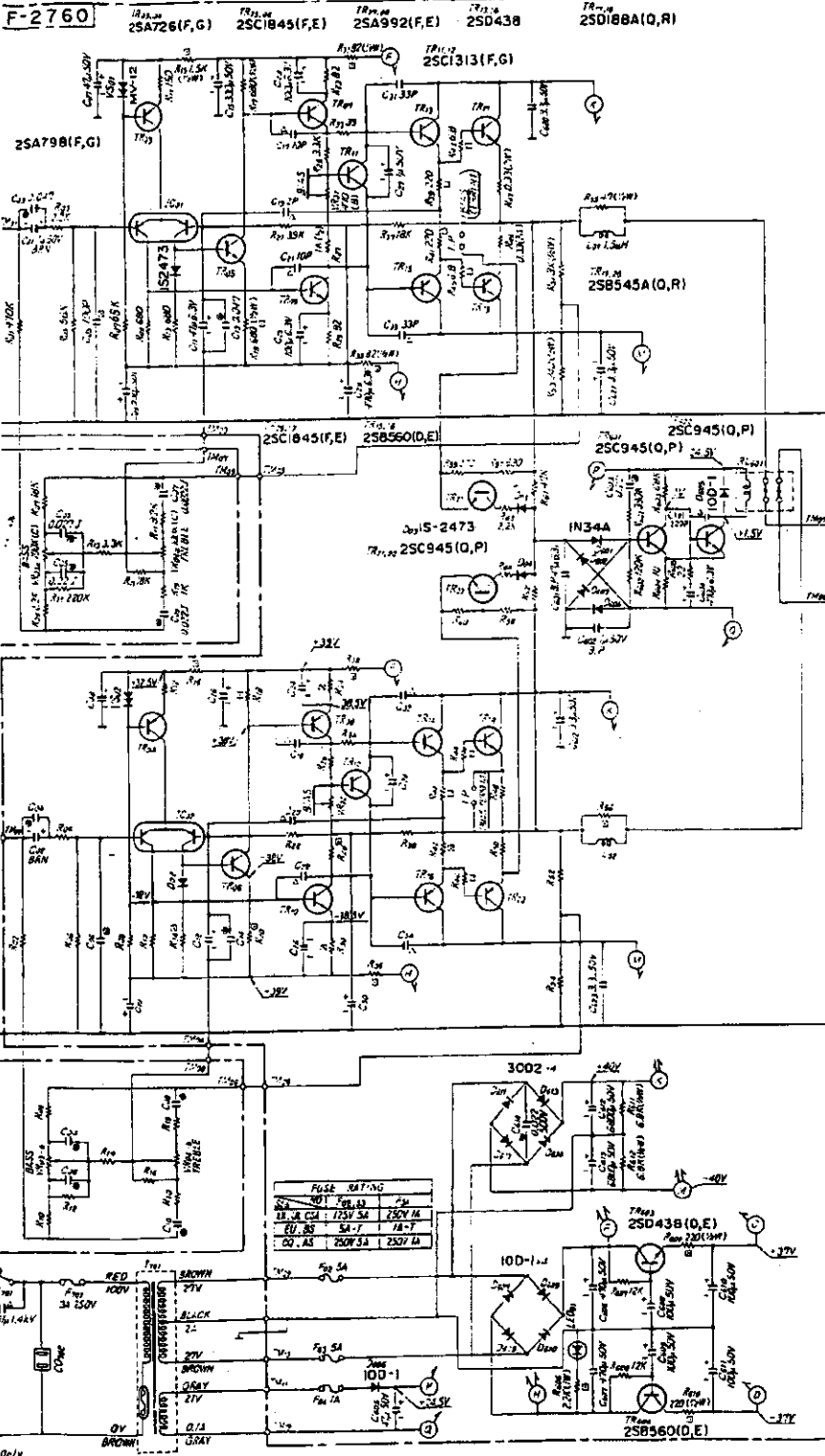
• Design and specifications subject to change without notice for improvement.
 • La présentation et les spécifications sont susceptibles d'être modifiées sans préavis par suites d'améliorations éventuelles.
 • Änderungen, die dem technischen Fortschritt dienen, bleiben vorbehalten.

E

F

G

H



- SWITCHES
- SELECTOR
1. PHONO Subsonic
 2. PHONO
 3. TUNER
 4. AUX
- TAPE MONITOR
1. SOURCE
 2. PLAY BACK
- HIGH FILTER
1. OFF
 2. ON
- BASSNESS
1. OFF
 2. ON

NOTICE

RESISTOR

- 1. Ceramic
- 2. Fusing Resistor
- 3. Mylar
- 4. 5W Flammable Resistor

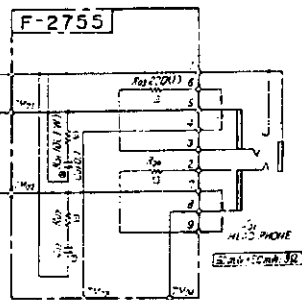
5. 30 50 Value Electrolytic

6. Capacitance Tolerance 5%

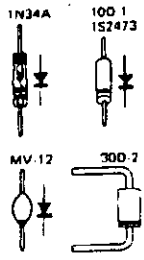
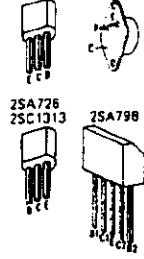
RESISTOR

All resistors 1/4 WATT unless otherwise noted

Each R₁ tolerance shows the nominal value in volts at no input signal



- 2SA992
- 2SB560
- 2SC945
- 2SC1845
- 2SD438
- 2SB560
- 2SD188A



1

2

3

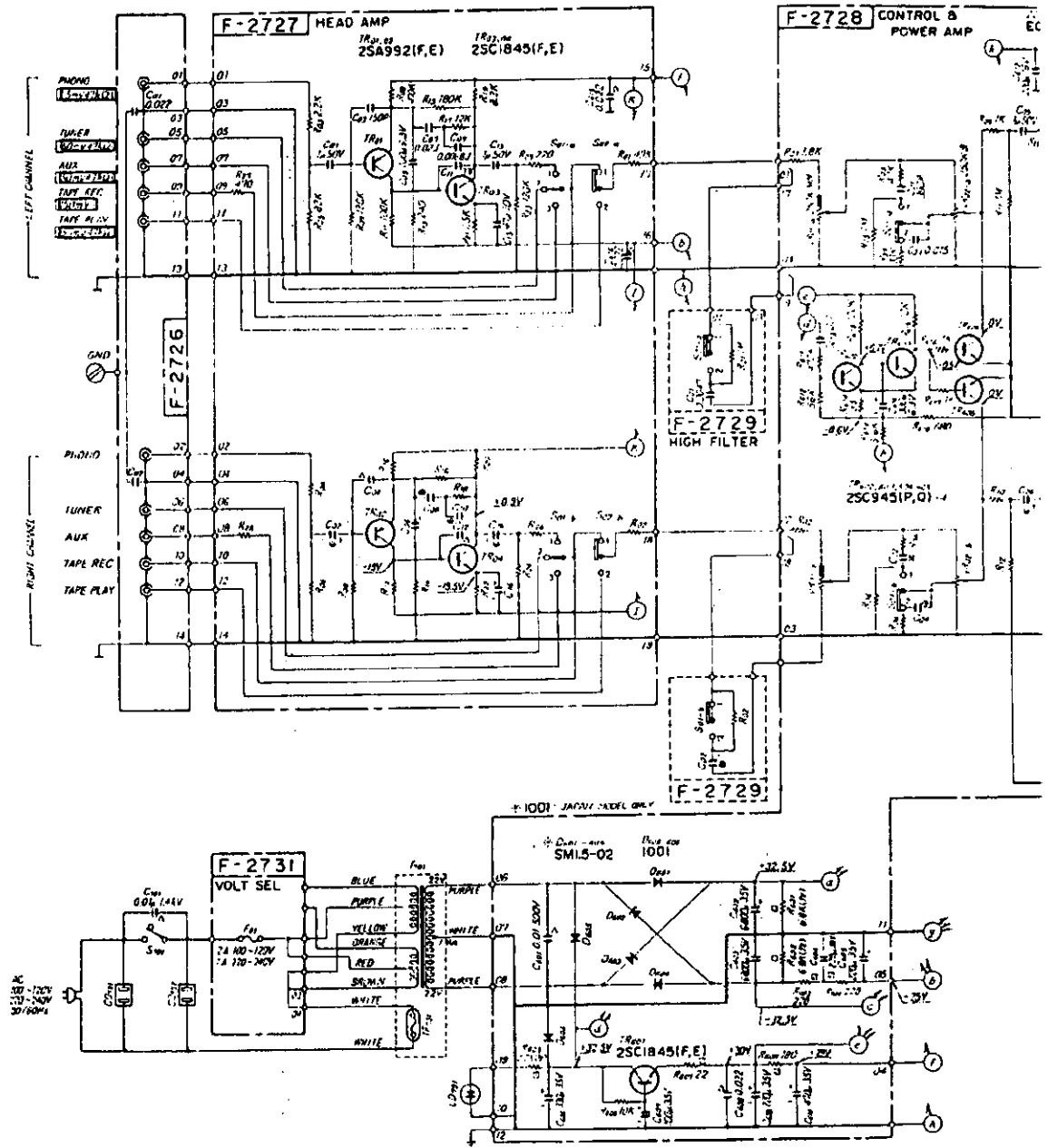
4

F

• Design and specifications subject to change without notice for improvement.
 • La présentation et les spécifications sont susceptibles d'être modifiées sans préavis par suites d'améliorations éventuelles.
 • Änderungen, die dem technischen Fortschritt dienen, bleiben vorbehalten.

A B C D

5-3. AU-117II



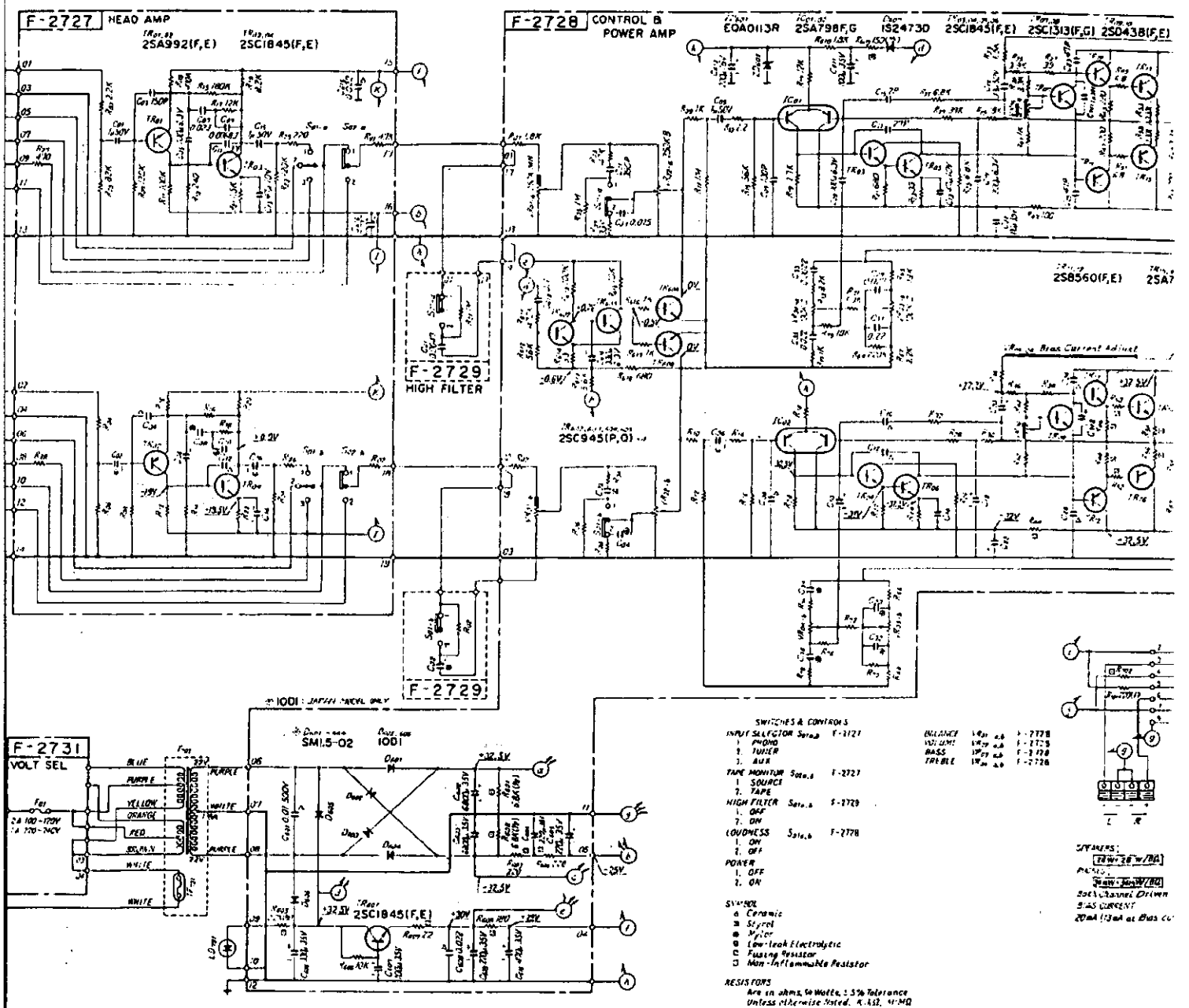
2SA992
28560
2SC945
2SC1845
2SD438



2SC1313



2SA771
2SC1986



SWITCHES & CONTROLS

INPUT SELECTOR Swpad F-1721

1. PHONO
2. TUNER
3. AUX

TONE MAINTAIN Swp. 1 F-2727

1. SOURCE
2. TAPE

HIGH FILTER Swp. 1 F-2729

1. ON
2. OFF

LOUDNESS Swp. 1 F-2728

1. ON
2. OFF

POWER

1. OFF
2. ON

SYMBOLS

- ⊕ Ceramic
- ⊙ Silicon
- ⊖ Silicon
- ⊙ Low-leak Electrolytic
- ⊖ Fusing Resistor
- ⊙ Non-Inflammable Resistor

RESISTORS

Are in ohms, 5% tolerance, unless otherwise noted. R, 1K, 10K, 100K, 1M, 10M, 100M, 1G.

CAPACITORS

Are in pF, unless otherwise noted. P, pF.

TOLERANCE

J, ±1%; G, ±2%; F, ±5%

INLAYERS

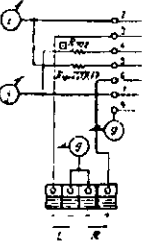
1. 2727
2. 2728
3. 2729

BASE

1. 2727
2. 2728

TREBLE

1. 2728



OPERATORS:

① 2727

② 2728

③ 2729

④ 2727

⑤ 2728

⑥ 2729

⑦ 2727

⑧ 2728

⑨ 2729

⑩ 2727

⑪ 2728

⑫ 2729

OPERATORS:

① 2727

② 2728

③ 2729

④ 2727

⑤ 2728

⑥ 2729

⑦ 2727

⑧ 2728

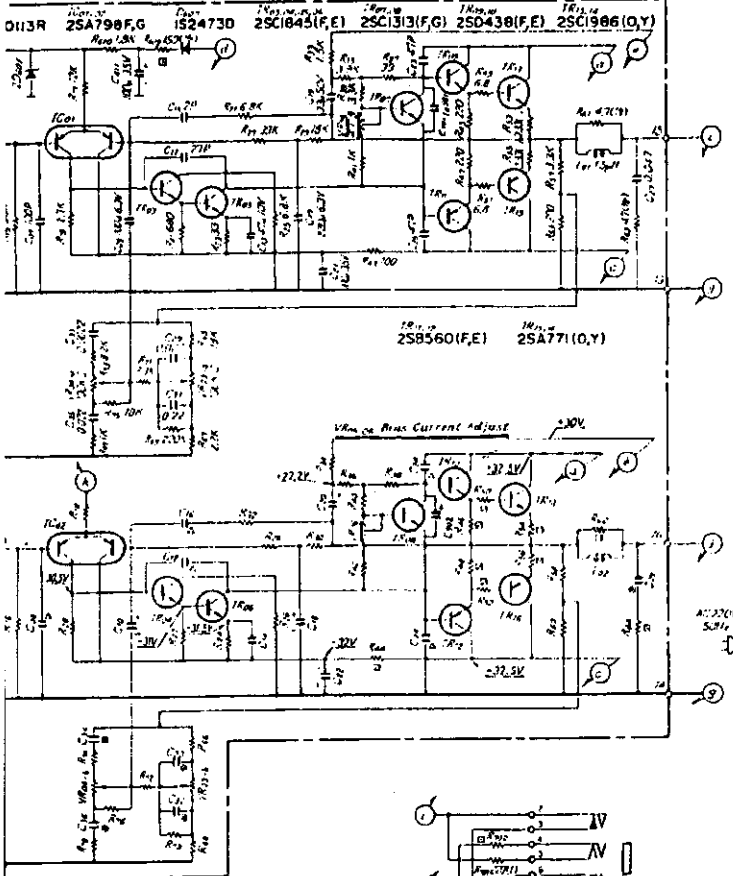
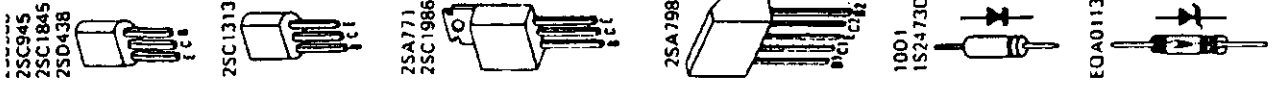
⑨ 2729

⑩ 2727

⑪ 2728

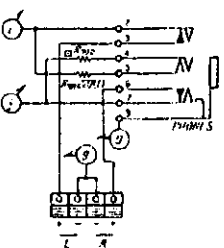
⑫ 2729

20mA (12mA at Bias CC)



- SWITCHES A CONTAINS**
- PT SELECTOR S_{1a,b} F-2177
 - TUNING TUNER
 - AUX
 - MONITOR S_{2a,b} F-2172
 - SOURCE TAPE
 - FM FILTER S_{3a,b} F-2179
 - OFF ON
 - MONESS S_{4a,b} F-2178
 - OFF ON
 - VER OFF ON
- NOTES**
- Ceramic
 - Synol
 - Kylor
 - Low-leak Electrolytic
 - Fusing Resistor
 - Non-Inflammable Resistor

BALANCE	VR ₁ a,b	F-2178
VOL/IMP	VR ₂ a,b	F-2175
BASS	VR ₃ a,b	F-2178
TREBLE	VR ₄ a,b	F-2178



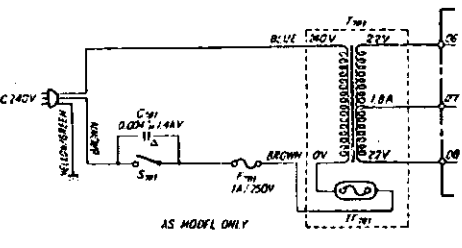
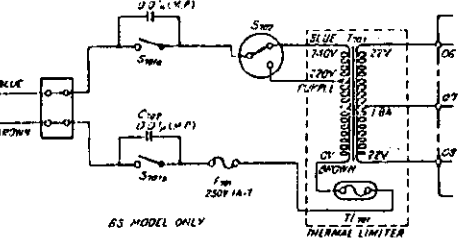
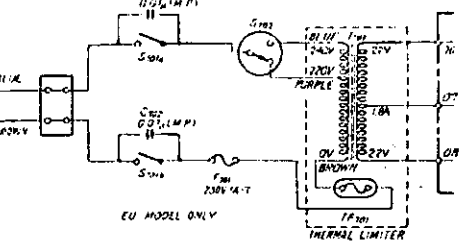
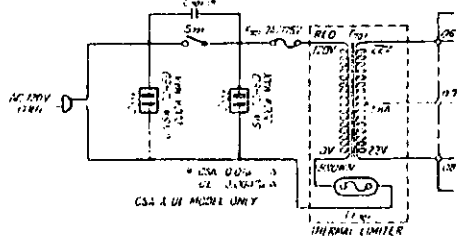
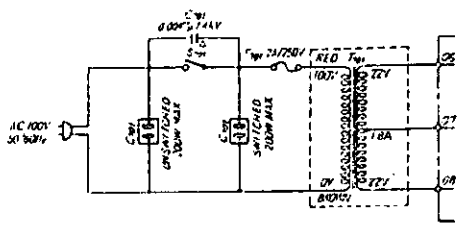
SPAKERS:
2x 8Ω - 20 W (RMS)

PAINTS:
Metal: 2007700
Bolt Channel Driver
BIAS CURRENT
20mA (12mA at Bias current point)

RESISTORS
Are in ohms, 1/2 Watt, 1% Tolerance
Unless otherwise noted R 1/2, 1/4 W

CAPACITORS
Are in μF, Unless otherwise noted P: pF

TRANSISTORS
F: 1.5%, G: 1.2%, R: 1.1%



6. PACKING LIST

6-1. AU-117II

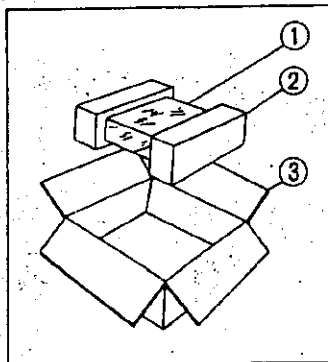
Parts No.	Stock No.	Description
1	9116760	Vinyl Cover
2	9028081	Styrofoam Packing
3	9001720	Carton Case

6-2. AU-217II

Parts No.	Stock No.	Description
1	9116760	Vinyl Cover
2	9028081	Styrofoam Packing
3	9001740	Carton Case

6-3. AU-317II

Parts No.	Stock No.	Description
1	9116760	Vinyl Cover
2	9028081	Styrofoam Packing
3	9001760	Carton Case



7. ACCESSORY PARTS LIST

7-1. AU-117II

Stock No.	Description
9204520	Operating Instructions
5396700	Rack-mounting Adaptor (each)
9116830	Vinyl Bag For Rack-mounting Adaptor
9238120	Schematic Diagram

7-2. AU-217II

Stock No.	Description
9204530	Operating Instructions
5396700	Rack-mounting Adaptor (each)
9116830	Vinyl Bag For Rack-mounting Adaptor
9238130	Schematic Diagram

7-3. AU-317II

Stock No.	Description
9204540	Operating Instructions
5396700	Rack-mounting Adaptor (each)
9116830	Vinyl Bag For Rack-mounting Adaptor
9238140	Schematic Diagram

Sansui

SANSUI ELECTRONICS CORPORATION: 1250 Valley Brook Ave. Lyndhurst, N.J. 07071 U.S.A.
333 West Alondra Blvd. Gardena, California 90247 U.S.A.

SANSUI AUDIO EUROPE N.V.:
SANSUI AUDIO EUROPE S.A.:

3036 Koepaka St. Honolulu, Hawaii 96819 U.S.A.
North Trade Bldg (9th floor) Noorderlaan 133-Bus 1, 2030 Antwerp, Belgium
Arabella center, 6 Frankfurt AM Main, Lyoner Strasse 44-48, West Germany

SANSUI ELECTRIC COMPANY LTD.: 14-1, Izumi 2-chome, Suglnamiku, Tokyo 168 Japan PHONE: (03) 323-1111/TELEX: 232-2076