

Shim. Cell 1.5V 19 90

**ISP**<sup>®</sup>

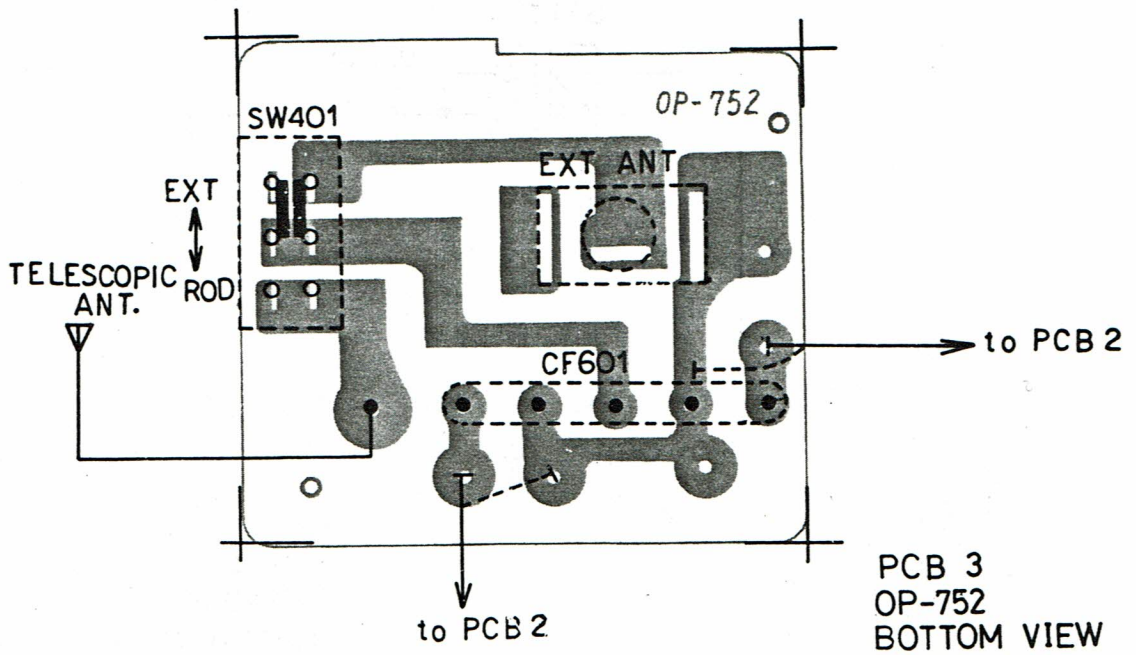
International Sound Products

# *service manual*

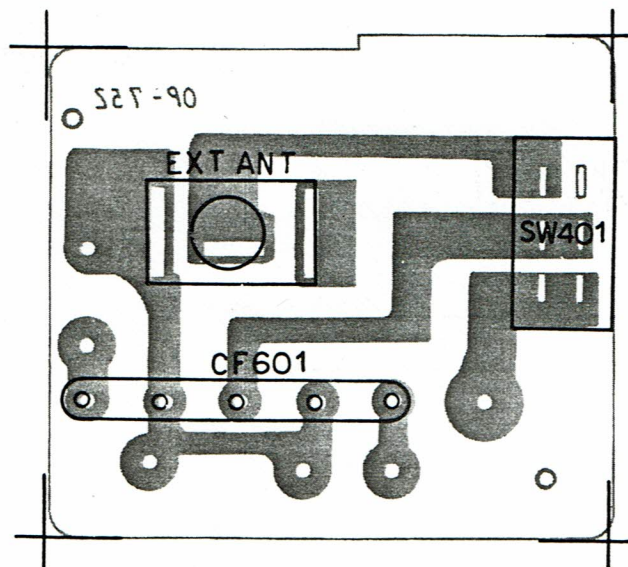
# TV Radio

# TVR 7120



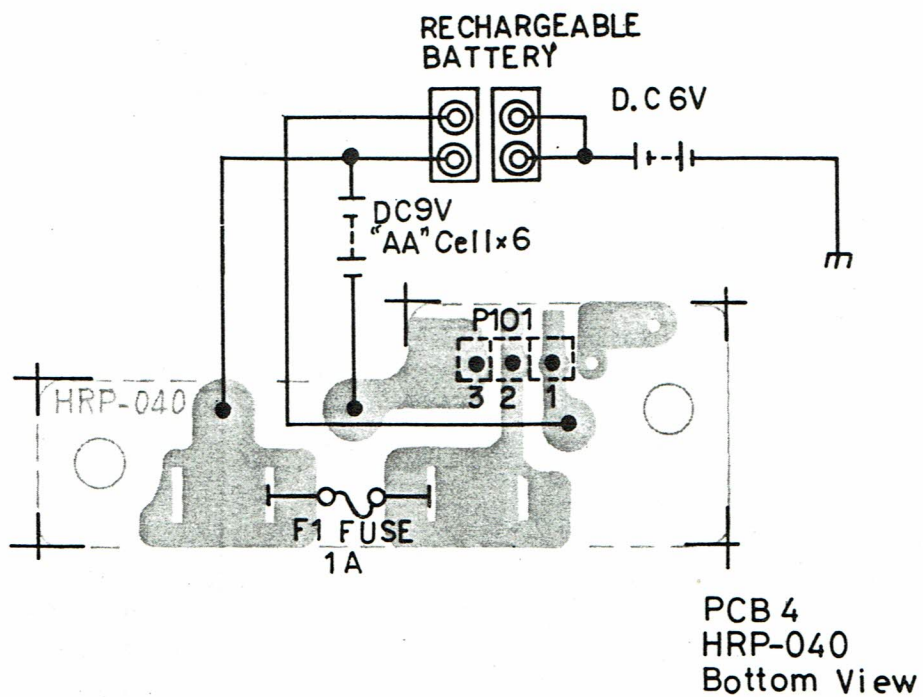


PCB 3  
OP-752  
BOTTOM VIEW

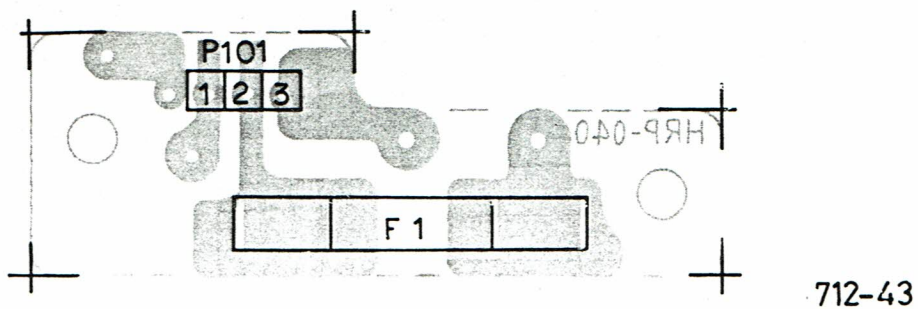


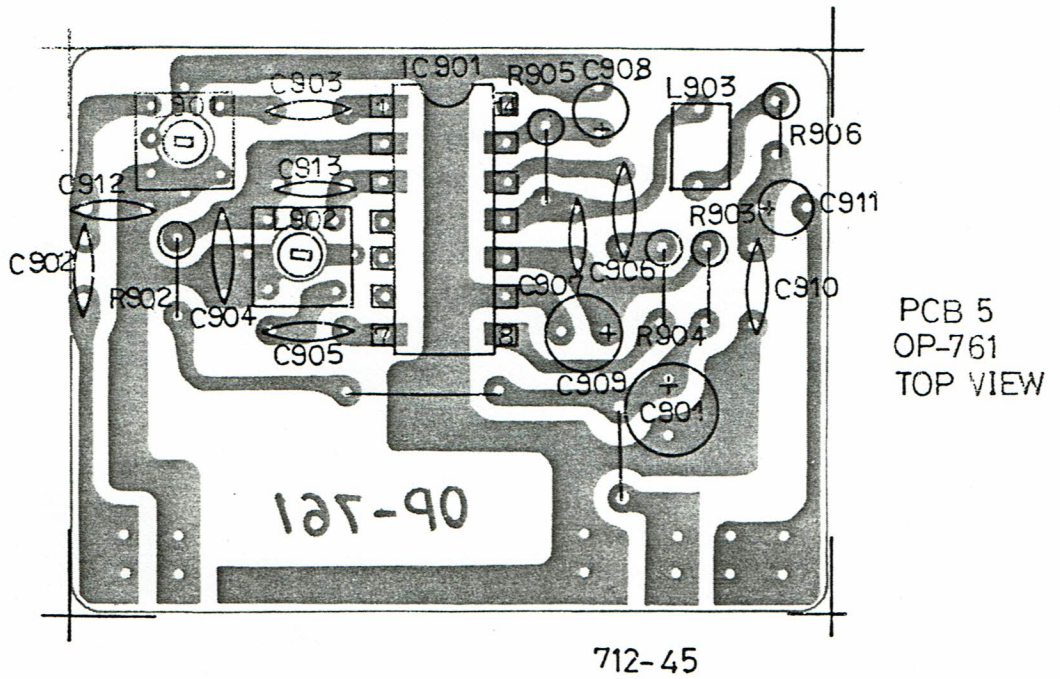
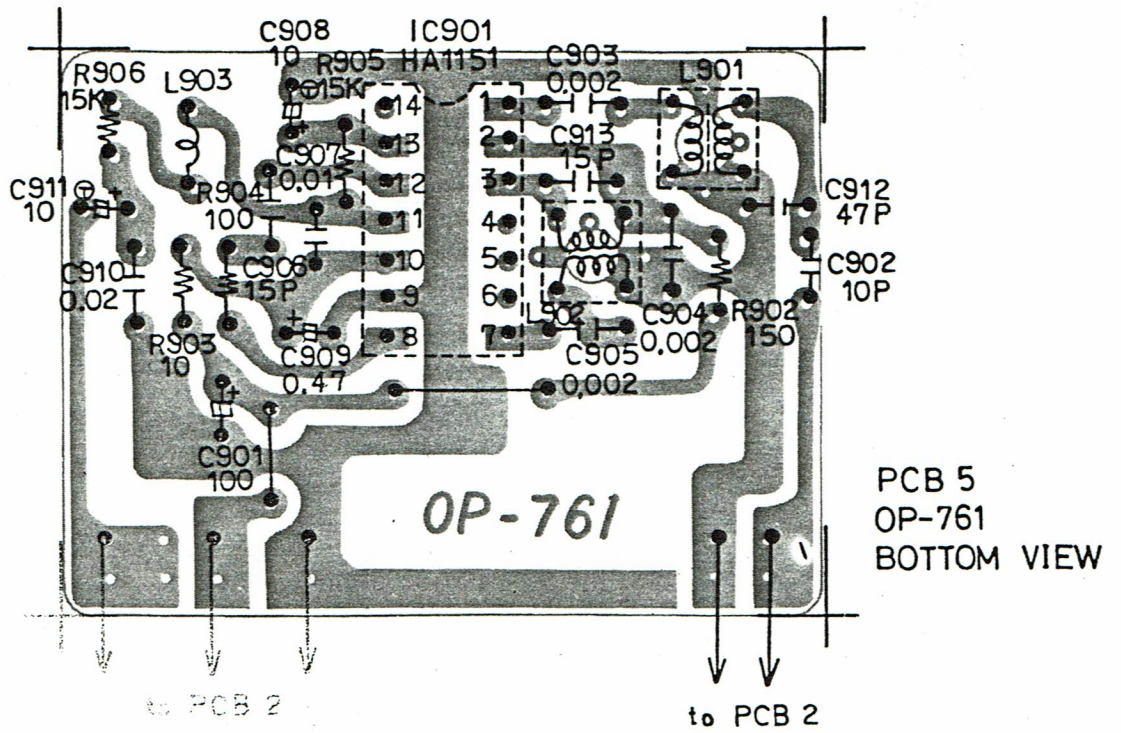
PCB 3  
OP-752  
TOP VIEW

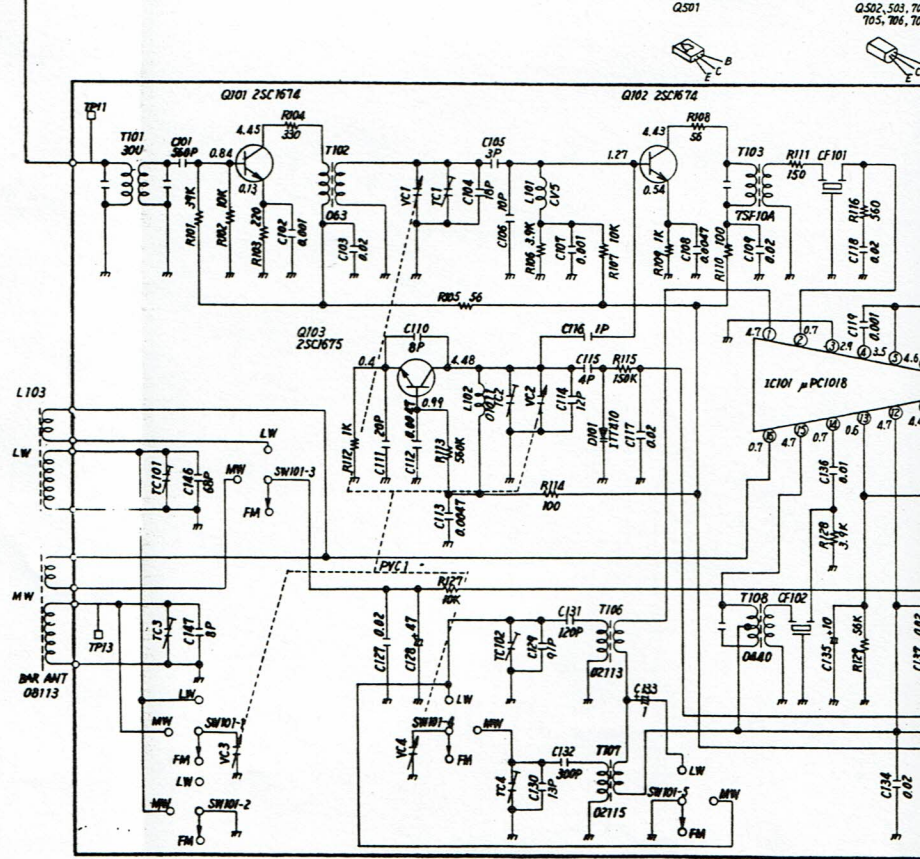
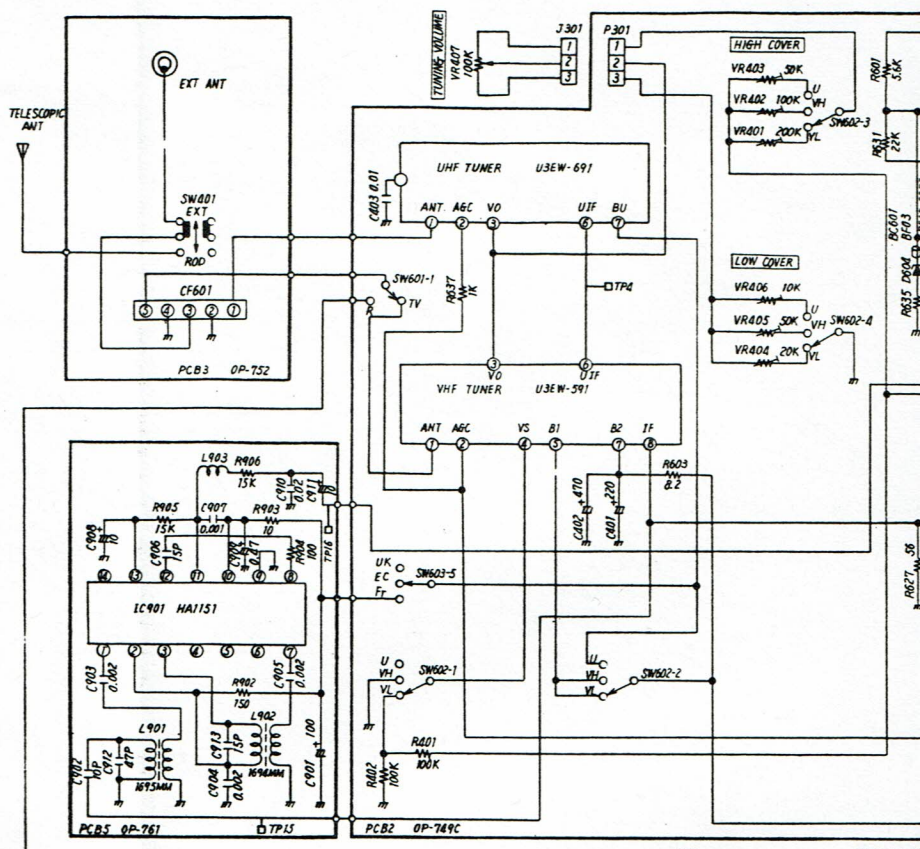
712-43

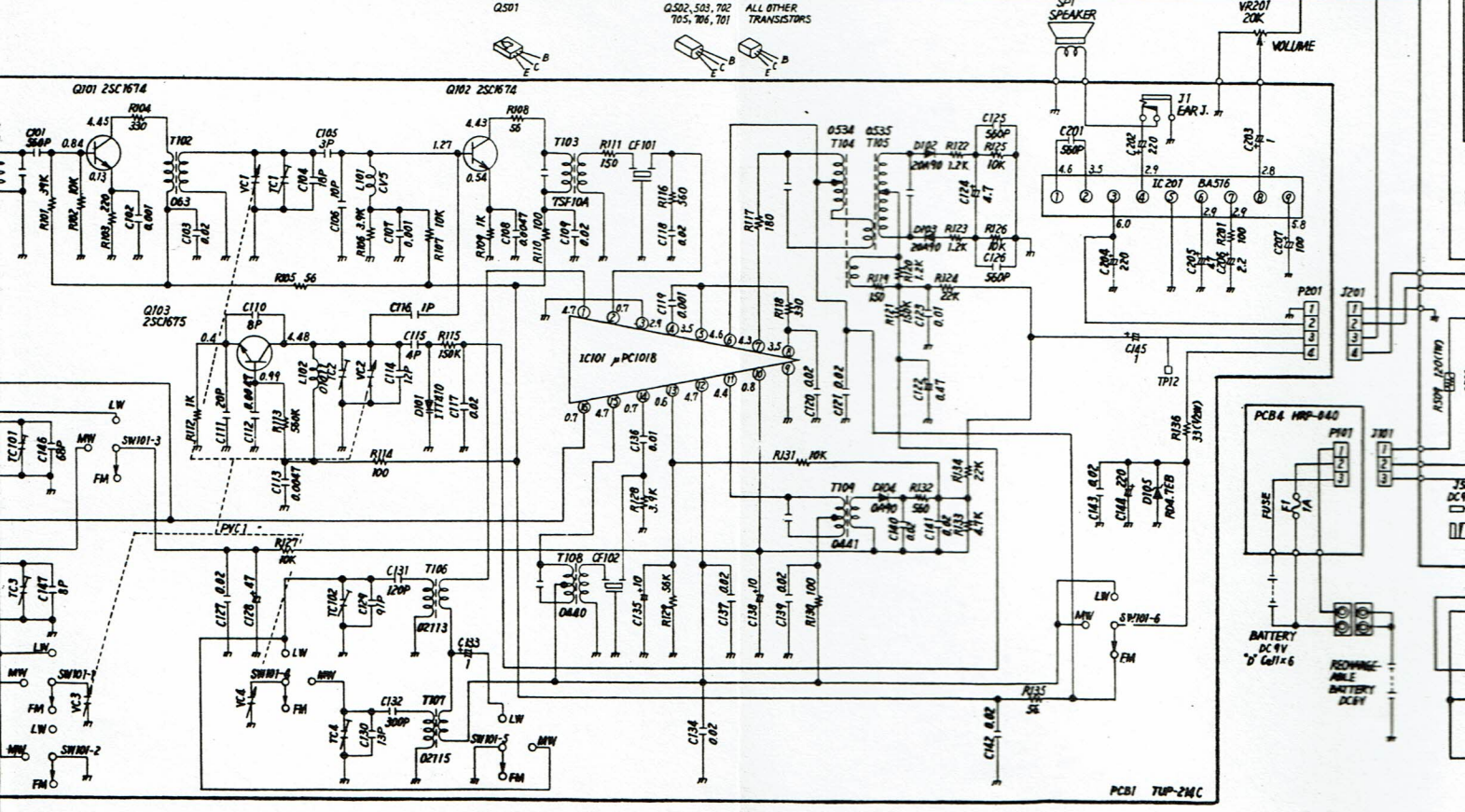
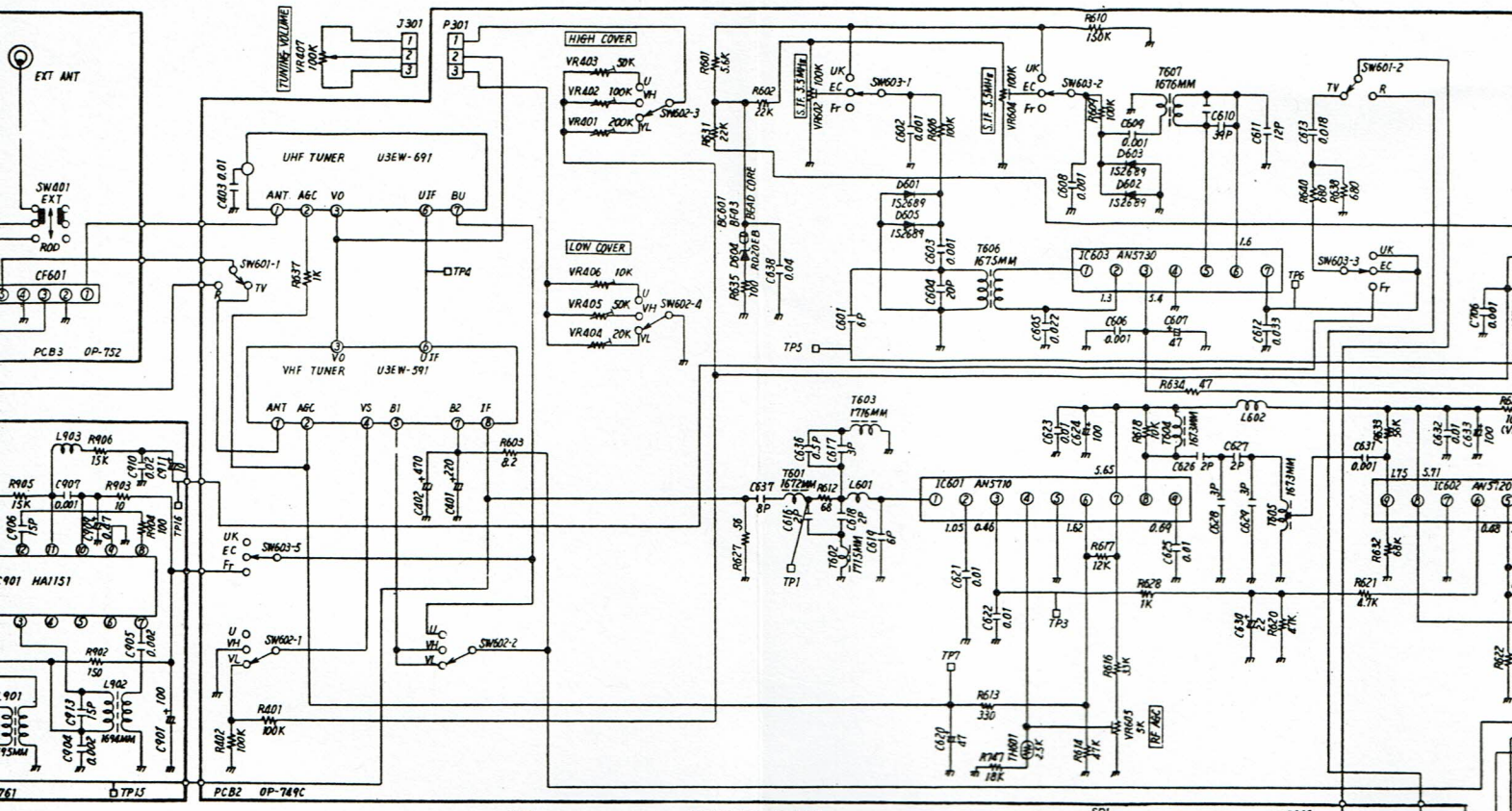


Top View



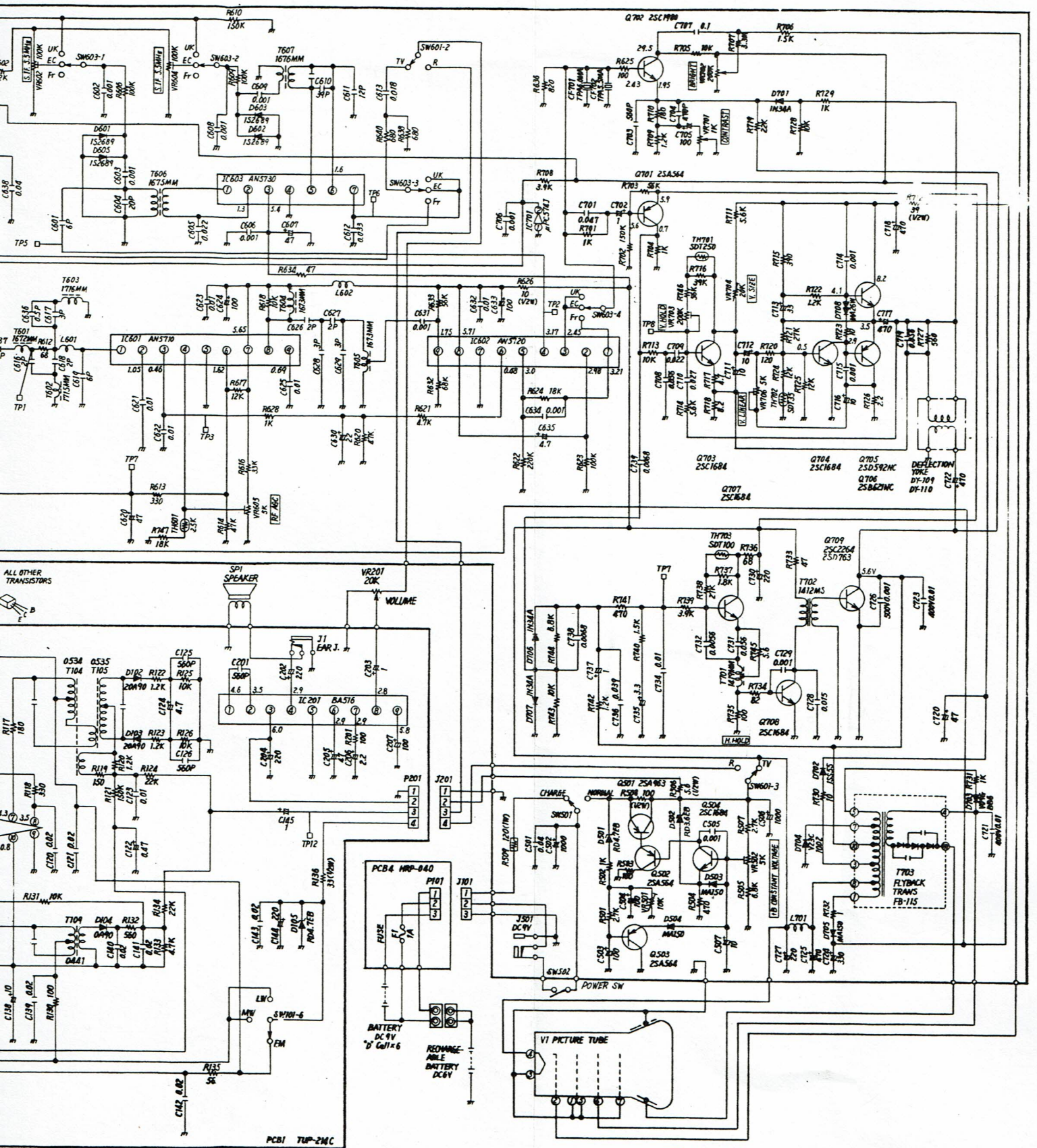






Q501, Q503, 702  
705, 706, 701  
ALL OTHER TRANSISTORS

PCB1 TUP-24C



712-45 1-874

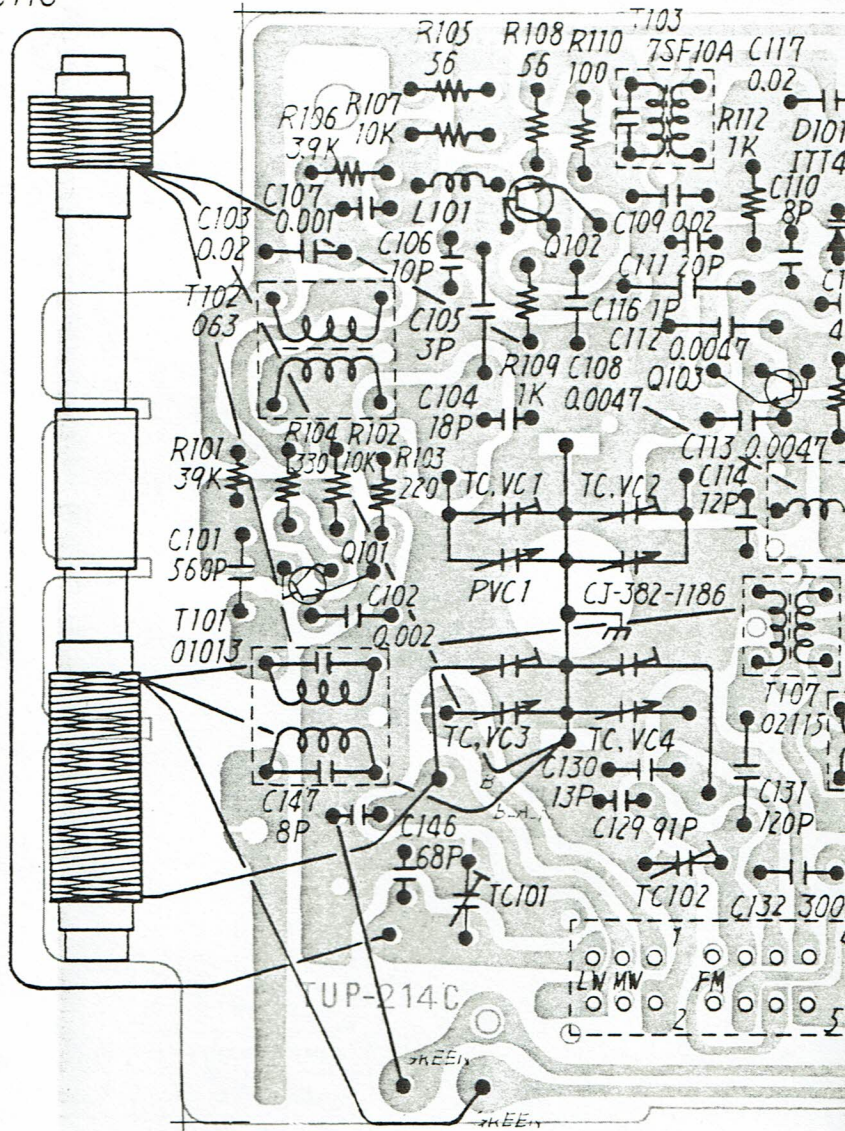
L103  
BAR ANT  
08113

Q102  
2SC1674

Q103  
2SC1675

LW

MW



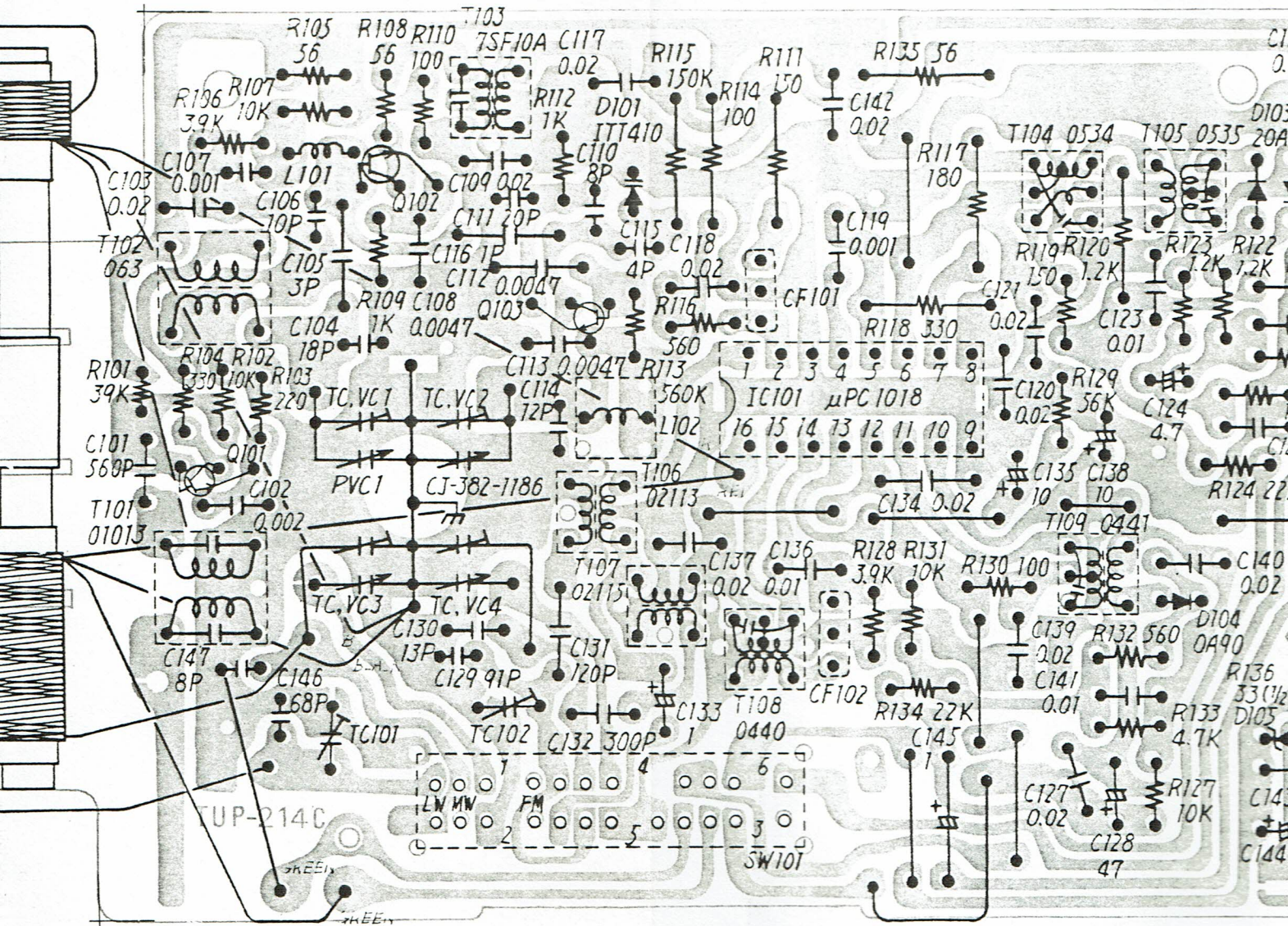
Q101  
2SC1674



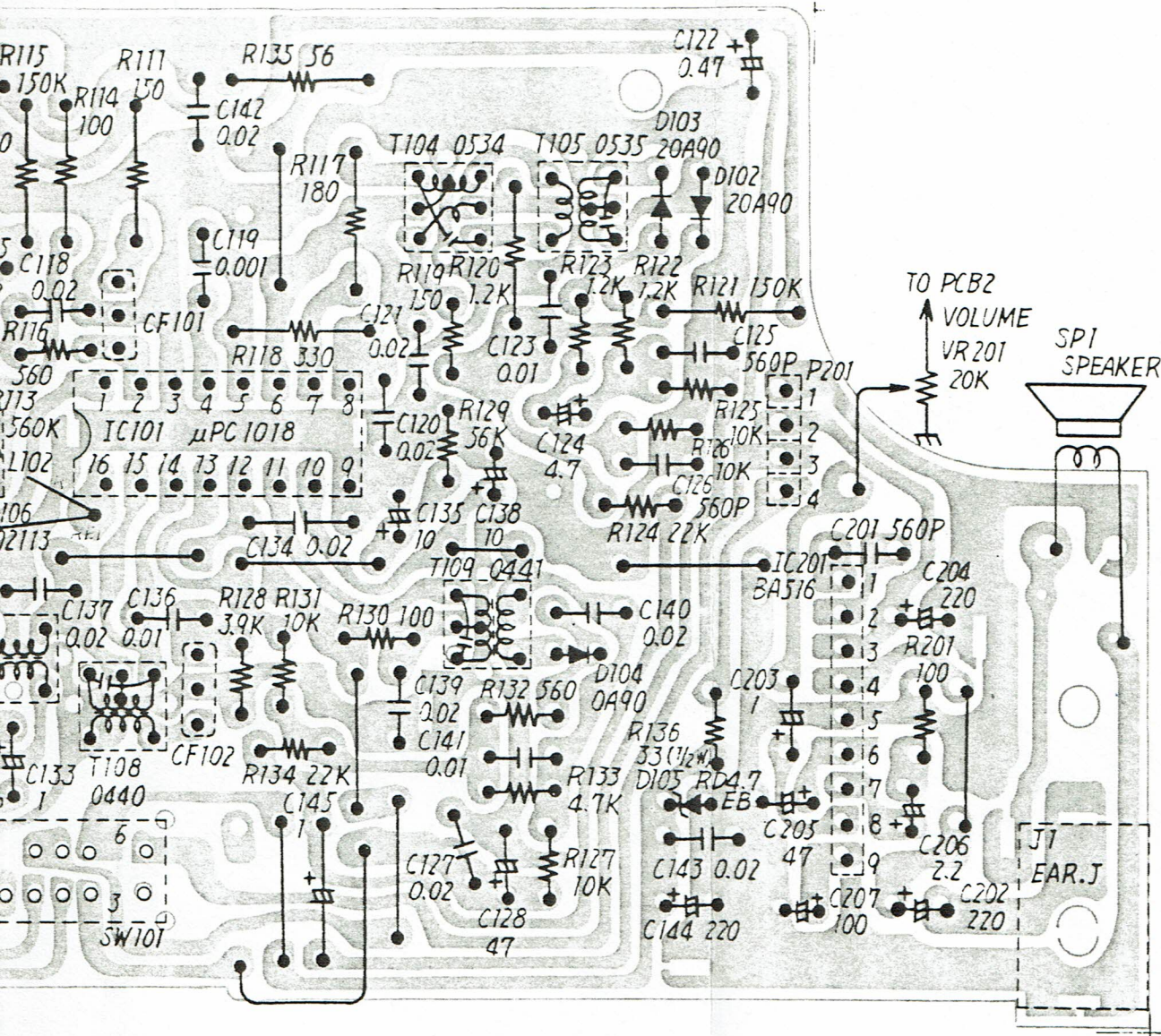
Q102  
2SC1674

Q103  
2SC1675

T

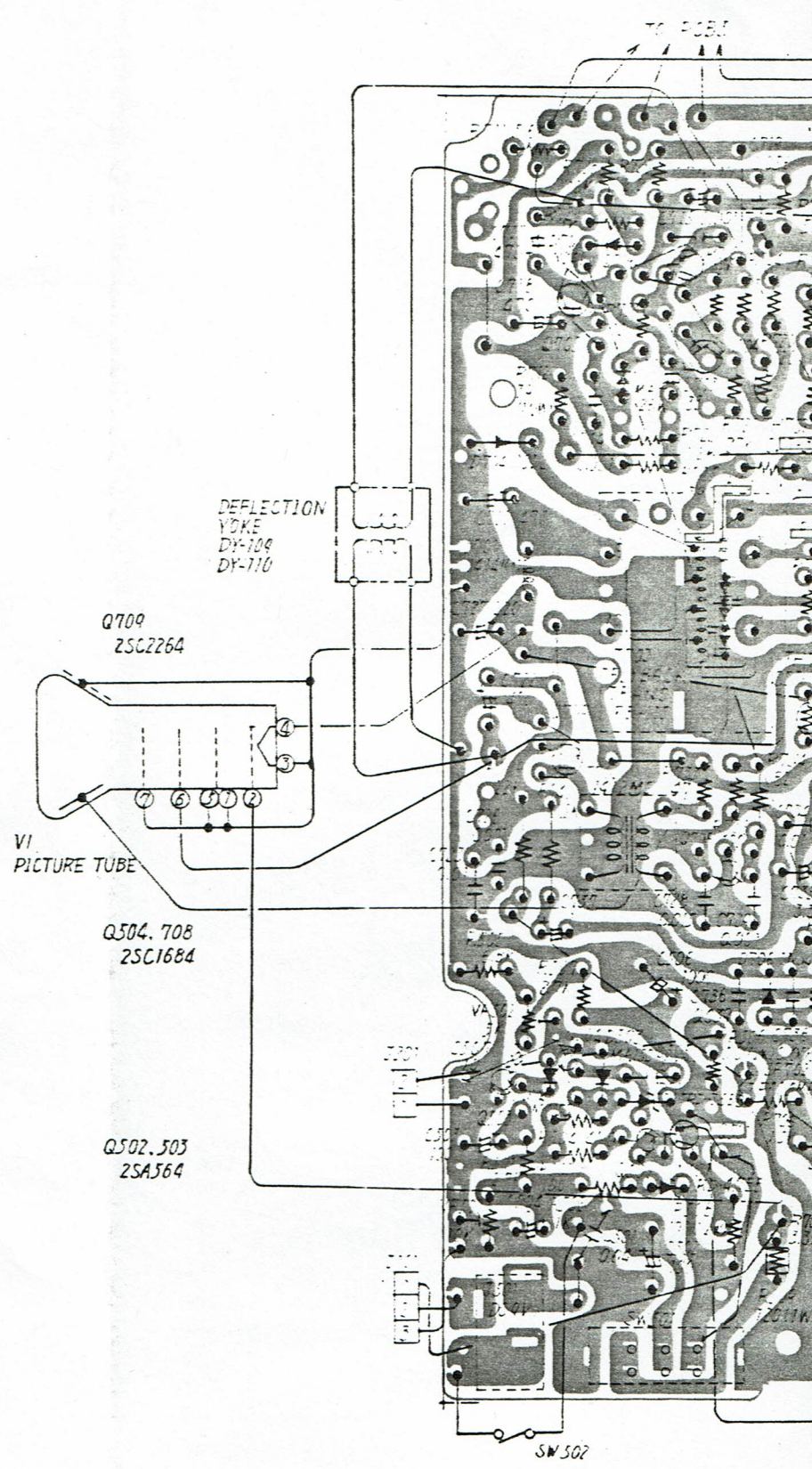


Q101  
2SC1674



PCB1  
BOTTOM VIEW

Q701 2SC1934M  
Q702 2SC1934M



DEFLECTION  
YOKE  
DY-709  
DY-710

Q709  
2SC2264

VI  
PICTURE TUBE

Q504, 708  
2SC1684

Q502, 503  
2SA364

SW 502

Q501  
2SA963

Q705  
25D99144

Q706  
25B99141

Q703, 704, 707  
25C1684

TO PCB#

DEFLECTION  
Yoke  
DY-109  
DY-110

709  
25C2264

504, 708  
25C1684

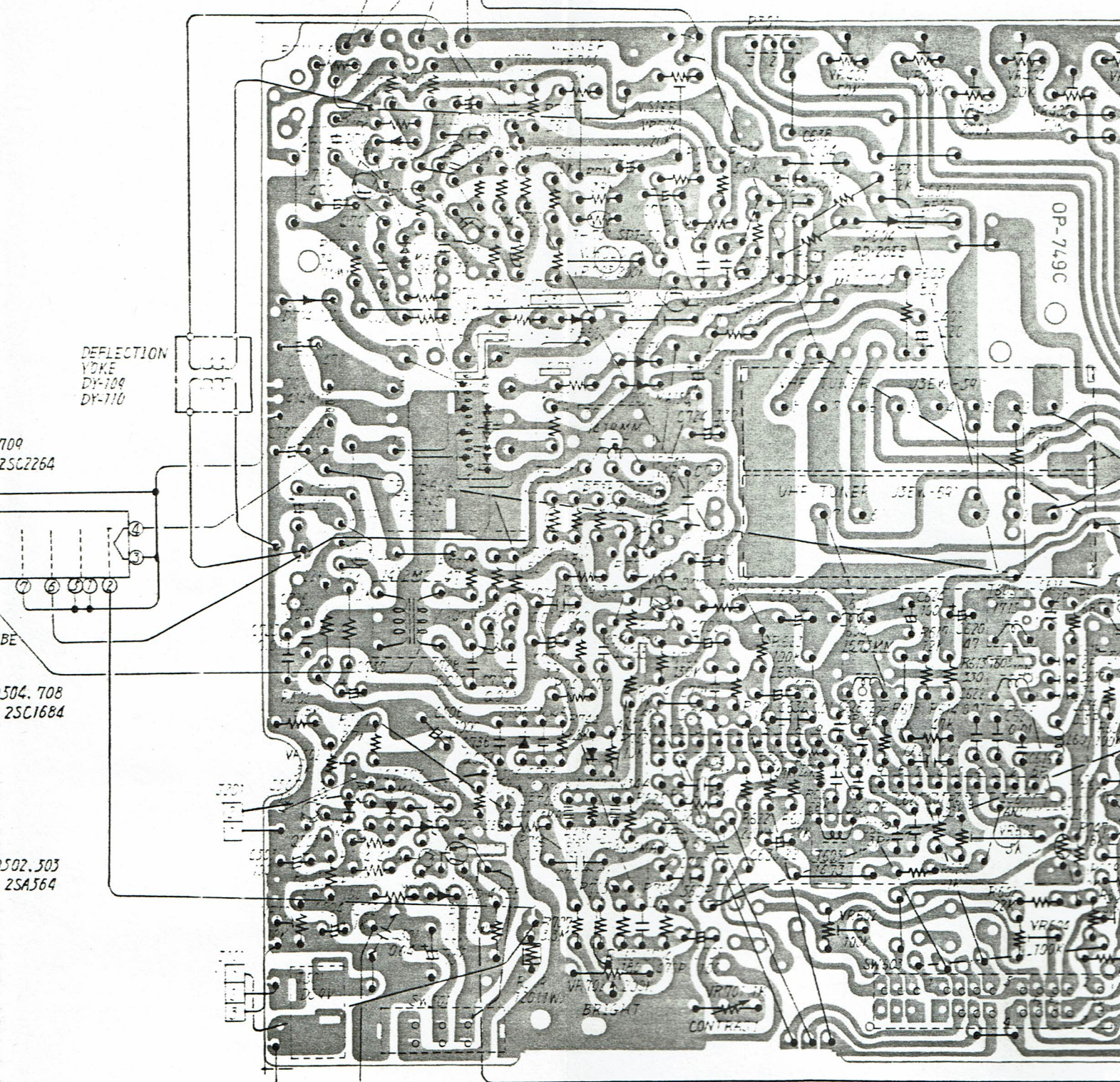
502, 503  
25A564

SW 502

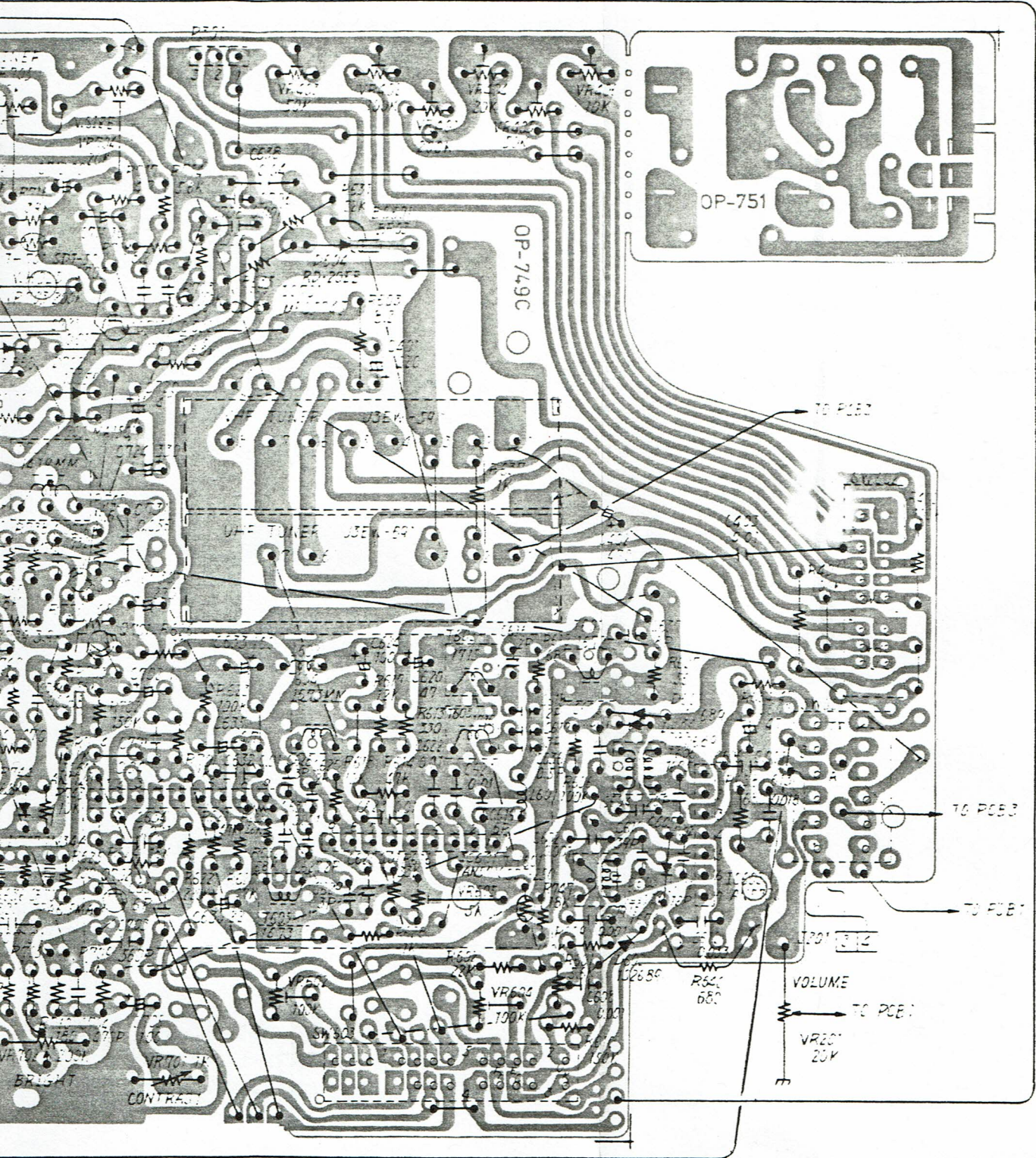
Q501  
25A963

Q701  
25A564

Q702  
25C1980



03.704.707  
750166C



Q701 2SA564  
Q702 2SC1980

PCB 2 OP-749C  
BOTTOM VIEW

712-45 2-1104

BLOCK DIAGRAM

