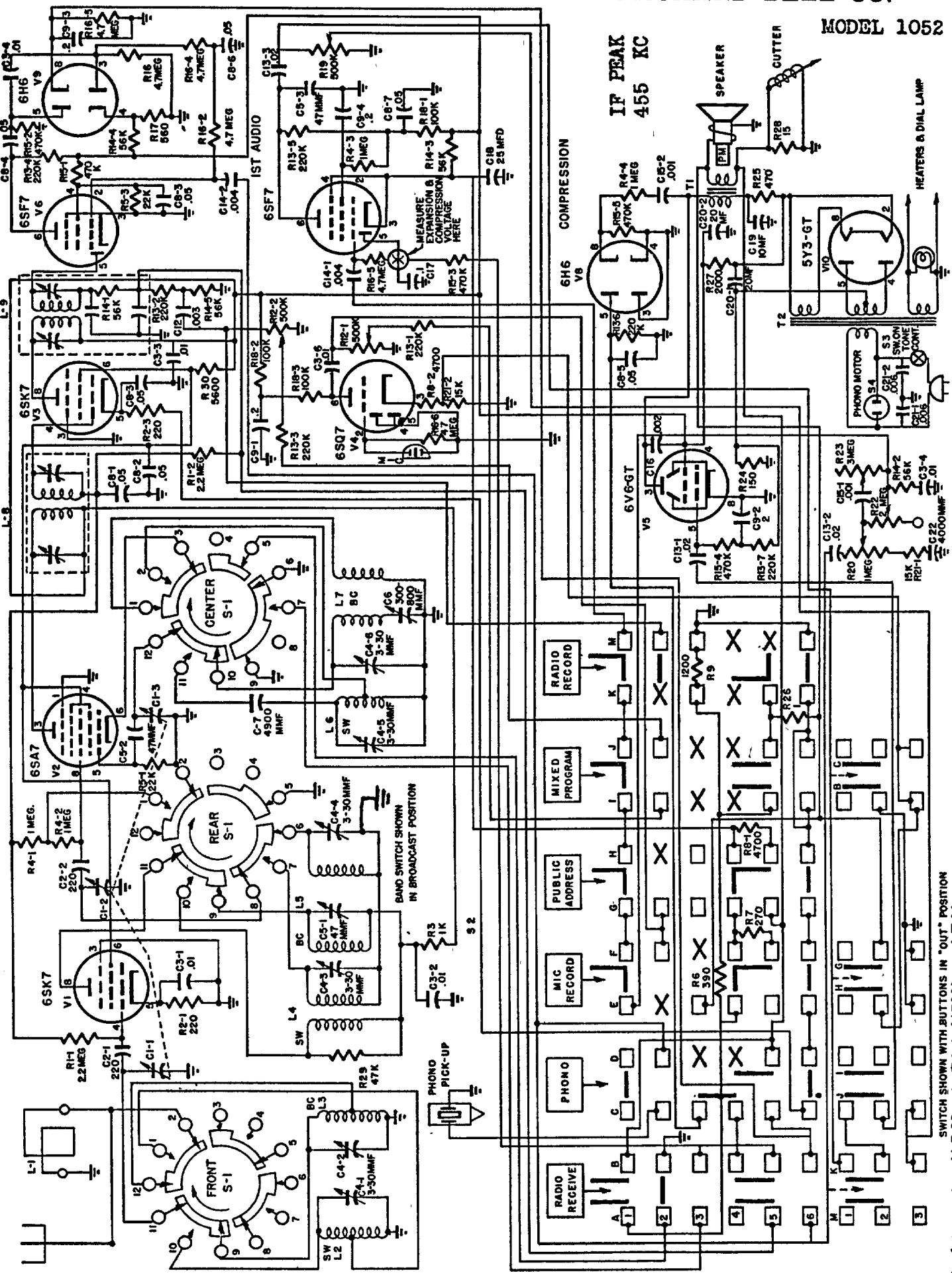


EXPANSION



IF PEAK
455 KC

Resistors 16-6 (4.7 Meg.), R8-2 (470K), and R21-2 (15K), shown on this diagram, are used when the American microphone (Packard-Bell part No. 57004) is used; R16-6 becomes a 1 Meg., R8-2 becomes a 2700 ohm and R21-2 becomes a 10,000 ohm

SWITCH SHOWN WITH BUTTONS IN "OUT" POSITION