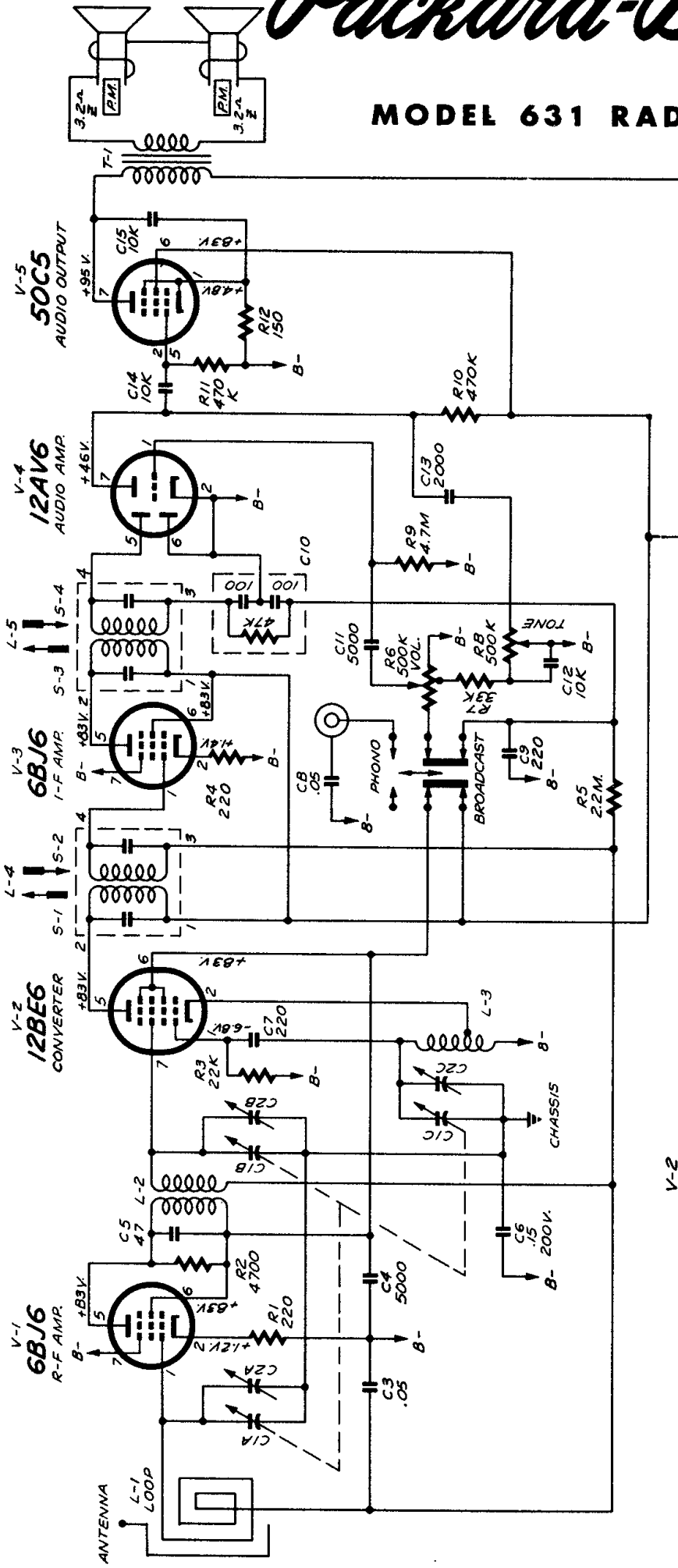


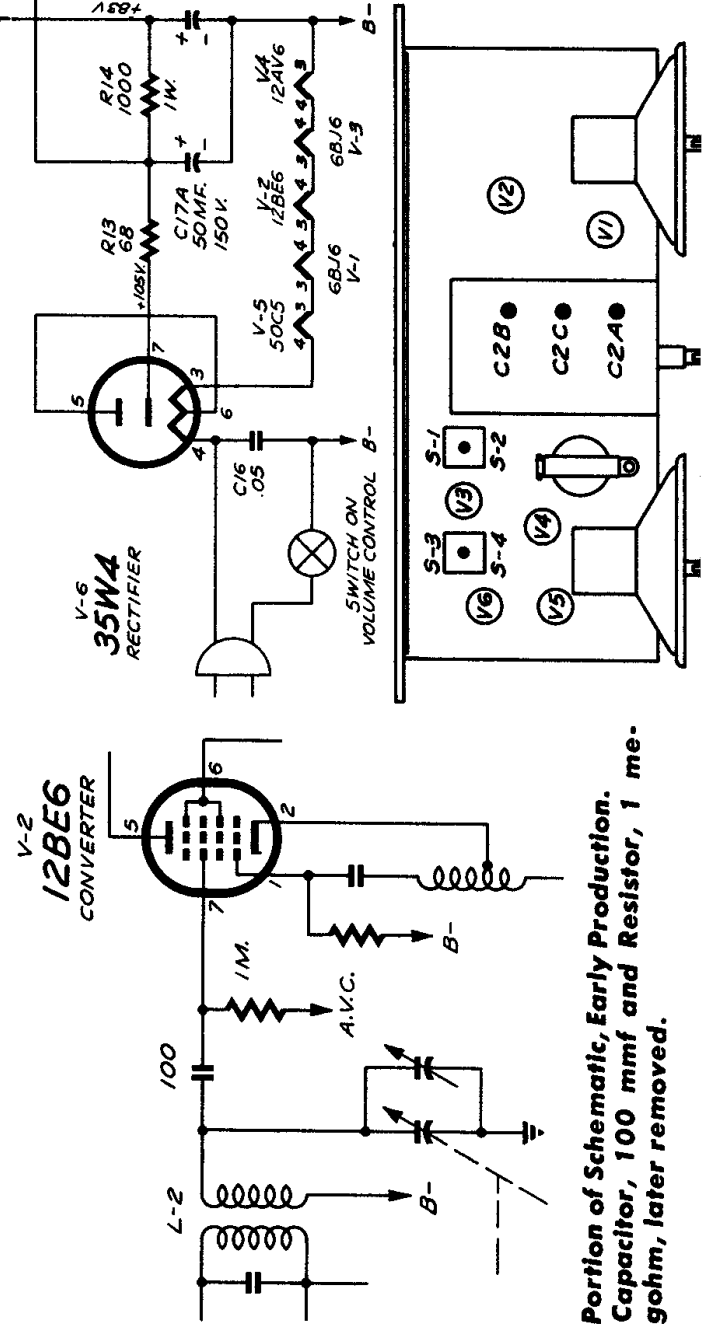
Packard-Bell

MODEL 631 RADIO



ALIGNMENT PROCEDURE:

STEP	CONNECT TEST OSCILLATOR TO	TEST OSCILLATOR FREQUENCY	RADIO DIAL SETTING	ADJUST
1.	Pin 7, V-2	455 Kc.	540 Kc. S-1, S-2, S-3 & S-4 for MAX	
2.	Antenna Clip	1620 Kc.	1620 Kc. C2C for MAX	
3.	Antenna Clip	1500 Kc.	Tune to C2A & C2B Osc. Signal for MAX	



Portion of Schematic, Early Production. Capacitor, 100 mmf and Resistor, 1 megohm, later removed.