

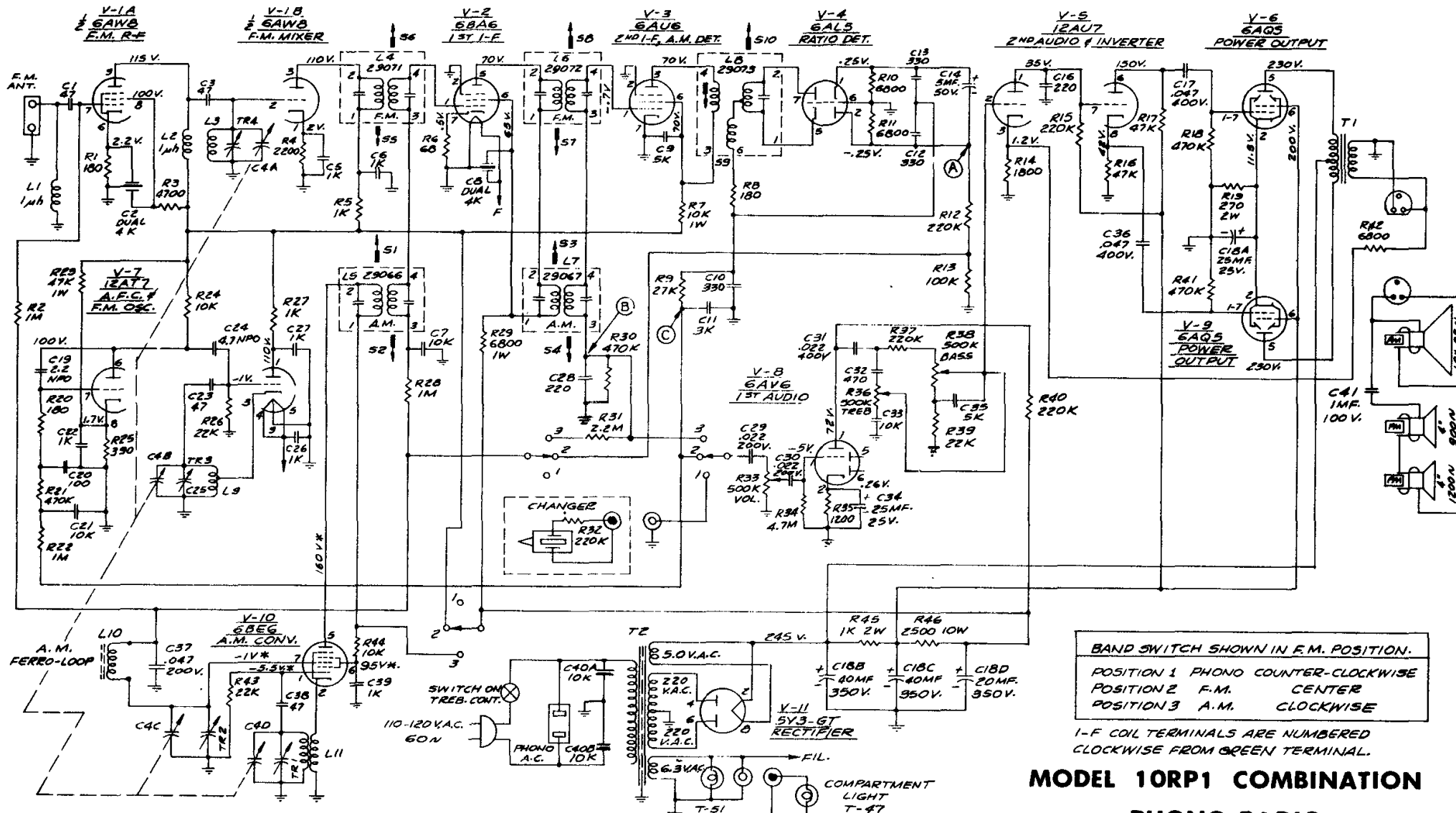
DC RESISTANCE MEASUREMENTS:

L-1 or L-2, choke
0.2 ohms
L-3, negligible
L-4, I-F, FM
Pri: 1.4 ohms
Sec: 1.4 ohms

L-5, I-F, AM
Pri: 16 ohms
Sec: 16 ohms
L-6, I-F, FM
Pri: 1.4 ohms
Sec: 1.4 ohms

L-7, I-F, AM
Pri: 16 ohms
Sec: 16 ohms
L-8, Ratio detector
Pri: 2.5 ohms
Sec: 0.2 ohms

L-9, negligible
L-10, Ferroloop
1.6 ohms
L-11, Oscillator, AM
Pri: 8.5 ohms
Sec: 0.6 ohms



BAND SWITCH SHOWN IN F.M. POSITION.
POSITION 1 PHONO COUNTER-CLOCKWISE
POSITION 2 F.M. CENTER
POSITION 3 A.M. CLOCKWISE

I-F COIL TERMINALS ARE NUMBERED
CLOCKWISE FROM GREEN TERMINAL.

**MODEL 10RP1 COMBINATION
PHONO-RADIO**

*NOTE: All voltages taken with band switch in F-M position EXCEPT voltages on V-10 which are starred. These are A-M readings.

Packard-Bell

PACKARD - BELL Model 10RP1

ALIGNMENT CHART

Equipment Required: Signal generator, AM; two 150 ohm ½ watt resistors; one .01 mfd, 600 volt paper capacitor.

DUMMY ANTENNA	SIGNAL GENERATOR CONNECTION	SIGNAL GENERATOR FREQUENCY	RADIO RECEIVER DIAL SETTING	VTVM CONNECTION	ADJUST	NOTES
ALIGNMENT OF I-F, AM SECTION						
1. .01 mfd in series with gen. output	Pin 7 of V-10 (grid 3, 6BE6)	455 kc, modulated with 400 cps	Low frequency end point	Negative to pt "B," positive to ground	S-1, S-2, S-3, & S-4 for MAX	Reduce signal generator output to lowest usable level
ALIGNMENT OF R-F, AM SECTION						
2. None	Loose-couple to loop	1620 kc, modulated with 400 cps	High frequency end point	Ditto	TR-1 for MAX	None
3. None	Ditto	1500 kc, modulated with 400 cps	Tune in signal	Ditto	TR-2 for MAX	None
ALIGNMENT OF I-F, FM SECTION						
4. .01 mfd in series with gen. output	Pin 2 of V-1 (grid, triode section, 6AWB)	10.7 mc, unmodulated	Low frequency end point	Ditto	S-5, S-6, S-7, & S-8 for MAX	Reduce signal generator output to less than one volt at pt. "B"
5. Ditto	Ditto	Ditto	Ditto	Negative to pt. "A," positive to ground	S-9 for MAX	None
6. Ditto	Ditto	Ditto	Ditto	Negative to pt. "C," positive to ground	S-10 for ZERO	A plus or minus reading will be obtained on each side of setting.
ALIGNMENT OF R-F, FM SECTION						
7. 150 ohms in each lead	FM antenna terminal	106 mc, unmodulated	106 mc	Negative to pt "A," positive to ground	TR-3 for MAX	None
8. Ditto	Ditto	Ditto	Ditto	Ditto	TR-4 for MAX	None
9. Ditto	Ditto	92 mc, unmodulated	92 mc	Ditto	Compress or expand coil L-9 for MAX VTVM reading	
10. Ditto	Ditto	Ditto	Ditto	Ditto	Compress or expand coil L-3 for MAX VTVM reading	
11. REPEAT STEPS 7 THRU 10 UNTIL NO FURTHER INCREASE IN VTVM READING OCCURS.						