



SERVICE MANUAL

# SYSTEM DC250/DC250L

Model SR25/SD25 / Model SR25L/SD25



**marantz**<sup>®</sup>

**SYSTEM DC250/DC250L**

## MARANTZ DESIGN AND SERVICE

Using superior design and selected high grade components, MARANTZ has created the ultimate in stereo sound. Only original MARANTZ parts can insure that your MARANTZ product will continue to perform to the specifications for which it is famous.

Parts for your MARANTZ stereo are generally available within 72 hours throughout the nation via a toll-free line to our National Parts Depot in California. The sales professionals who take your call immediately refer to their own desk top computer terminal and can quickly determine the availability and price information you require. If for some reason, your order should exceed our available stock, we usually can instantly provide an alternate replacement part or current delivery information. When the order is placed and confirmed, the computer simultaneously generates "hard copy" orders at the distribution center. As hard copies come directly from the computer to the national parts depot, your requested stock is assembled and prepared for shipment and placed on the first available carrier for delivery to you.

### ORDERING PARTS

Phone orders will eliminate mail delays, and we encourage the use of this method. If you order by mail, use MARANTZ parts order forms which are available from our National Parts Depot located at the following address:

The following information must be supplied to eliminate delays in processing your order:

1. Complete address.
2. Complete part numbers.
3. Complete description of parts.
4. Model number for which part is required (indicate MARANTZ).
5. Account number (for account customers only).

Direct consumers will be provided with the current retail price quotation on available parts in order to advise them of the cost of the parts and shipping.

### OVERSEAS PARTS ORDERING

Parts may also be ordered from the following overseas addresses:

**MARANTZ AUSTRALIA PTY., LTD.**  
32 Cross Street  
Brookvale, N.S.W. 2100  
Australia

**MARANTZ GERMANY GMBH**  
Max-Planckstrasse 22  
6072 Dreieich 1  
West Germany

**MARANTZ AUDIO U.K., LTD.**  
Unit 15/16, Saxon Way  
Moor Lane, Harmonswoth  
UB 7 O.L.W.  
Great Britain

**MARANTZ SVENSKA A.B.**  
Franzengatan 6  
10425 Stockholm  
Sweden

**MARANTZ EUROPE S.A.**  
326 Avenue Louise Bte 32  
1050 Brussels  
Belgium

**MARANTZ BELGIUM**  
45 Rue Auguste Van Zande  
1080 Brussels  
Belgium

**MARANTZ FRANCE**  
4 Rue Bernard Palissy  
92600 Asnieres  
France

**MARANTZ NORSKE A.S.**  
Refstadalleen 13  
Oslo 5  
Norway

All of the above locations are fully equipped to take care of your total service needs. Because various countries have differing configuration requirements, it is necessary that you contact the service facility in your particular country. In the event that there is no service location listed for your country, please contact the nearest facility for the necessary assistance.

**marantz®**

This service manual describes only the unidentical parts between the original models. For the parts which are not listed in this manual, refer to the original service manuals (refer to the table below). For ordering the service parts, refer to this service manual together with the original service manuals.

SYSTEM DC250/DC250L	Part No. of original service manual	
SR25 SR25L (STEREOPHONIC RECEIVER)	SR1100	P/N 105H855010
	SR1100L	P/N 107H855020
SD25 (STEREO CASSETTE DECK)	SD1030	P/N 124T855010

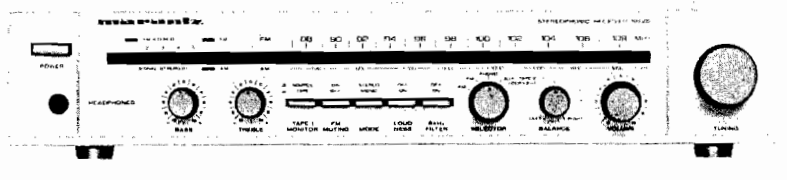
**NOTE:**

Following precautions should be used when putting order for service manual:

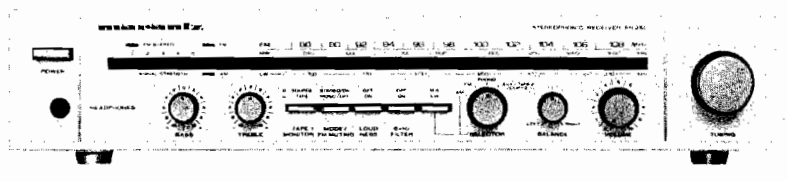
- (1) To order the original service manual, use the correct part No.
- (2) When comprehensive manual is required, use both the original service manuals and this service manual.

## SYSTEM DC250/DC250L

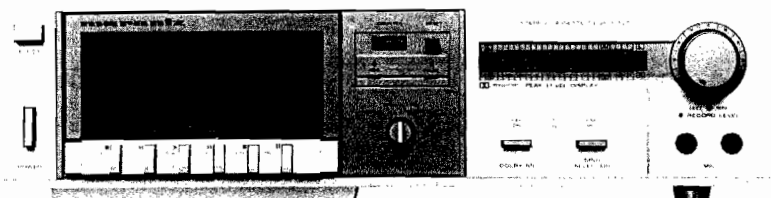
Model SR25 STEREOPHONIC RECEIVER



Model SR25L STEREOPHONIC RECEIVER

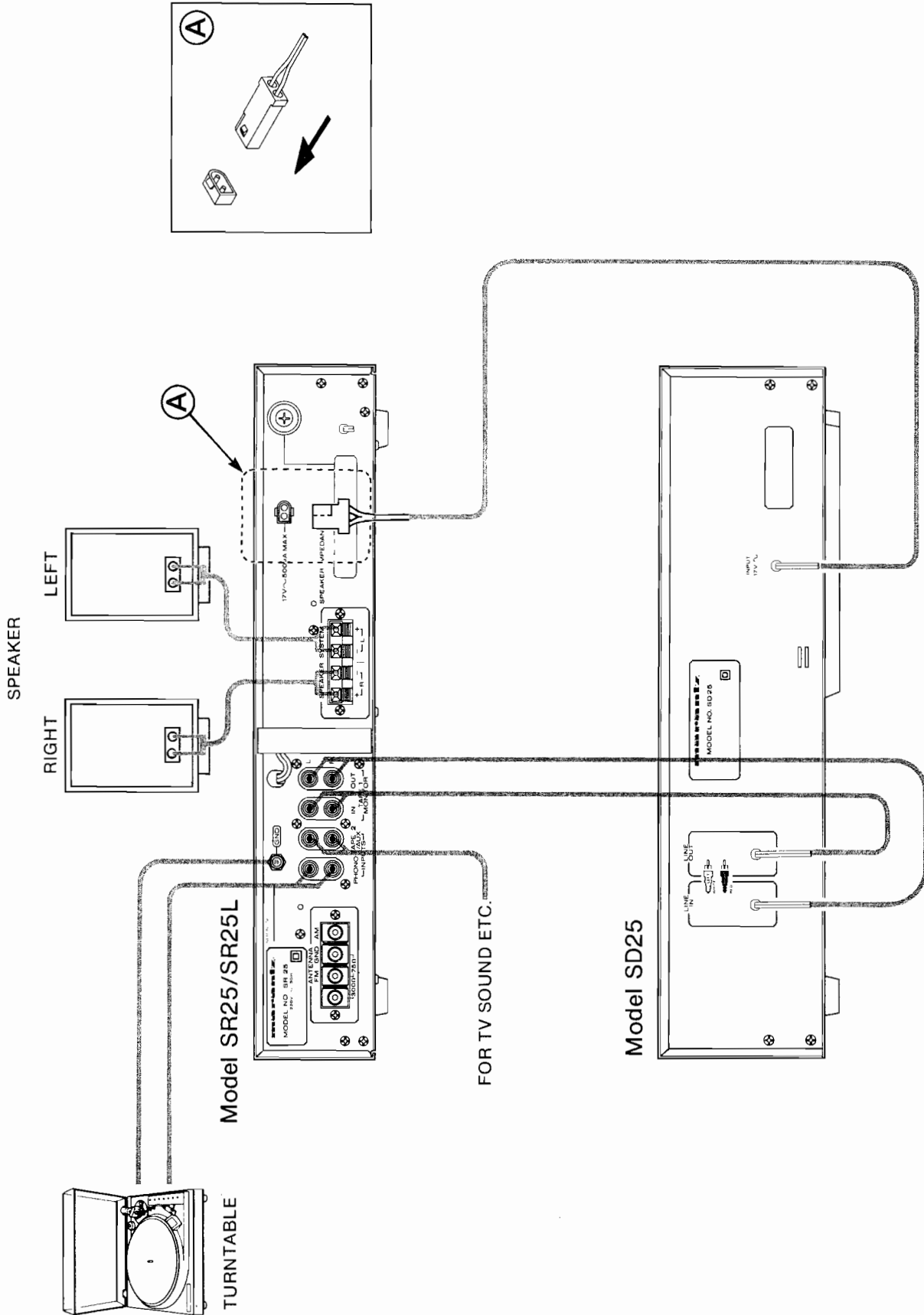


Model SD25 STEREO CASSETTE DECK



SYSTEM CONNECTION (SYSTEM DC250/DC250L)

X



Different Parts between MODEL SR1100 (N) and SR25 (N,A,T)

ORIGINAL MODEL SR1100 (N)					SHELTERED MODEL SR25 (N,A,T)			
REF. DESIG.	Q'TY	PARTS NO.	DESCRIPTION	PAGE	REF. DESIG.	Q'TY	PARTS NO.	DESCRIPTION
A	1	105H063400	Front Panel Assembly	13	A	1	114H063400	Front Panel Assembly
001B	1	105H063010	Escutcheon Front Panel	13	001B	1	114H063110	Escutcheon Front Panel
002B	2	403H067010	Cap.	13	002B	2	114H067110	Cap.
					004B	1	114H259010	Bushing
					005B	1	114H158010	Window
					009B	1	114H259020	Bushing
B	1	105H063410	Dial Panel Assembly	13				
004B	1	105H063020	Escutcheon Dial Panel	13				
005B	1	105H158010	Window	13				
010B	4	105H154020	Knob Bass. Trable Bal. Vol.	13	010B	4	114H154120	Knob Vol. Bal. Bass. Trable
011B	1	403H154020	Knob Tuning	13	011B	1	114H154110	Knob Tuning
014B	1	105H154060	Knob Selector	13	014B	1	226H154120	Knob Selector
003G	3	51260308B0	B.T. Screw B3 x 8	13				
001D	1	208H257010	Lid Top Cover	14	001D	1	208H257110	Lid Top Cover
001R	1	2932861110	Label Top Cover	14	001R	1	2932861010	Label Top Cover
001E	1	105H160250	Bracket Rear Panel	15	001E	1	114H160220	Bracket Rear Panel (N only)
005E	2	51280308U0	B.H. Tapped Screw B3 x 8	15	001E	1	114H160230	Bracket Rear Panel (A,T only)
008E	2	51420308T0	O.C.H. Tapped Screw	15				
					021E	1	404H160030	Bracket
					022E	1	51280308U0	B.H. Tapped Screw B3 x 8
					023E	1	1455259010	Bushing
					024E	1	408H271010	Holder
J043	1	YP04000590	Plug AC Inlet	15				
J091	1	BY05060040	Voltage Selector	15				
					C001	1	DK18403320	Ceramic 0.04 $\mu$ F +80%, -20%
					J045	1	YB00190020	Connective Cord
007B	1	208H154060	Knob Power Switch	16	007B	1	226H154130	Knob Power Switch
008B	6	105H154010	Knob Push Switch	16	008B	5	226H154140	Knob Push Switch
002G	1	105H120020	Insulator	16	002G	1	105H120010	Insulator
019G	1	105H120010	Insulator	16	007G	1	2232118300	Spacer
021G	1	105H273010	Flywheel	16	019G	1	105H120020	Insulator
					021G	1	114H273010	Flywheel
015F	4	51570406B0	P. Taptite Screw	17	015F	4	51260408U0	B.T. Screw B4 x 8
004L	2	62031340W0	Lug	17				
L001	1	TS17620030	Power Transformer	17	L001	1	TS16629010	Power Transformer
001S	1	105H801020	Packing Case	18	001S	1	114H801020	Packing Case
019S	1	2731821010	Silicagel	18	019S	1	4136071010	Cleaner
001T	1	105H851310	Instructions	18	001T	1	114H851310	Instructions
002T	1	105H851320	Instructions	18	002T	1	114H851320	Instructions
003T	1	105H856010	Circuit Diagram	18	003T	1	9631000090	Guarantee Card (A only)
					003T	1	9630000200	Guarantee Card (T only)
W001	1	ZC01805030	AC Power Cord	18	W001	1	YC01800230	AC Power Cord (N only)
					W001	1	YC02000230	AC Power Cord (A only)
					W001	1	YC01800250	AC Power Cord (T only)
P100	1	YG105H0010	P.W. Board Tuner	19	P100	1	YG105H0010	P.W. Board Tuner
	1	ZZ105H8020	P.W. Board Assembly	19		1	ZZ114H8010	P.W. Board Assembly
CA06	1	DD11100300	Ceramic 10pF $\pm$ 5%	19				
CA08	1	DK18103320	Ceramic 0.01 $\mu$ F	19	CA08	1	DA17103010	Ceramic 0.01 $\mu$ F $\pm$ 30%
CA17	1	DA17103010	Ceramic 0.01 $\mu$ F $\pm$ 30%	19	CA17	1	DK18103320	Ceramic 0.01 $\mu$ F +80%, -20%
CA20	1	EA33405030	Elect 0.33 $\mu$ F 50V	19	CA20	1	DF17333300	Film 0.033 $\mu$ F $\pm$ 10%
CA21	1	DF17332300	Film 3300pF $\pm$ 20%	19	CA21	1	DF17103300	Film 0.01 $\mu$ F $\pm$ 20%
C102	1	DA17103010	Ceramic 0.01 $\mu$ F $\pm$ 30%	19				
C103	1	EA33405030	Elect 0.03 $\mu$ F 50V	19				
C104	1	DA17103010	Ceramic 0.01 $\mu$ F $\pm$ 30%	19				
C112	1	DD15150340	Ceramic 15pF $\pm$ 5%	19	C112	1	DD15200340	Ceramic 20pF $\pm$ 5%

ORIGINAL MODEL SR1100 (N)					SHELTERED MODEL SR25 (N,A,T)				
REF. DESIG.	Q'TY	PARTS NO.	DESCRIPTION	PAGE	REF. DESIG.	Q'TY	PARTS NO.	DESCRIPTION	
C204	1	DD15470370	Ceramic 47pF ±5%	19					
C212	1	DK18473320	Ceramic 0.047μF +80%, -20%	19	C212	1	DK18403320	Ceramic 0.047μF +80%, -20%	
C213	1	DK18473320	Ceramic 0.047μF +80%, -20%	19	C213	1	DK18403320	Ceramic 0.047μF +80%, -20%	
C214	1	DA17103010	Ceramic 0.01μF ±30%	19	C214	1	EA22505030	Elect 2.2μF ±30%	
C309	1	EA10701630	Elect 100μF 16V	19	C217	1	DA17103010	Ceramic 0.01μF ±30%	
C411	1	EA10505030	Elect 1μF 50V	19	C309	1	EA22701630	Elect 220μF 16V	
C412	1	EA10505030	Elect 1μF 50V	19	C411	1	EA47505030	Elect 4.7μF 50V	
					C412	1	EA47505030	Elect 4.7μF 50V	
R101	1	GD05104140	Resistor 100KΩ	19					
R102	1	GD05101140	Resistor 100Ω	19	R102	1	GD05471140	Resistor 470Ω	
R107	1	GD05222140	Resistor 2.2KΩ	20	R107	1	GD05562140	Resistor 5.6KΩ	
R111	1	GD05680140	Resistor 680Ω	20					
R113	1	GD05183140	Resistor 18KΩ	20	R113	1	GD05273140	Resistor 27KΩ	
R206	1	GD05470140	Resistor 47Ω	20	R206	1	GD05221140	Resistor 220Ω	
R219	1	RA05030090	Trimming 50KΩ (B)	20	R219	1	RA05020160	Trimming 5KΩ (B)	
R220	1	GD05332140	Resistor 3.3KΩ	20	R220	1	GD05272140	Resistor 27KΩ	
					R224	1	GD05151140	Resistor 150Ω	
R309	1	GD05470140	Resistor 47Ω	20	R309	1	GD05390140	Resistor 39Ω	
R317	1	GG05101140	Resistor 100Ω	20	R317	1	GG05221140	Resistor 220Ω	
R318	1	GG05101140	Resistor 100Ω	20	R318	1	GG05221140	Resistor 220Ω	
R331	1	RA05030090	Trimming 50KΩ (B)	20	R331	1	RA01030260	Trimming 10KΩ (B)	
R332	1	GD05562140	Resistor 5.6KΩ	20					
R411	1	GD05273140	Resistor 27KΩ	20	R411	1	GD05274140	Resistor 270KΩ	
R412	1	GD05273140	Resistor 27KΩ	20	R412	1	GD05274140	Resistor 270KΩ	
R417	1	GG05101140	Resistor 100Ω	20	R417	1	GG05221140	Resistor 220Ω	
R418	1	GG05101140	Resistor 100Ω	20	R418	1	GG05221140	Resistor 220Ω	
Q101	1	HF40045180	F.E.T. 3SK45B	20	Q101	1	HF200551D0	F.E.T. 2SK55	
Q401	1	HC10003090	IC 4558D	20	Q401	1	HC10013370	IC TL4558B1	
F203	1	FF11070130	Ceramic Filter FMCF10.7MS3G	20					
SV02	1	SR00040080	Rotary Switch	20	SV02	1	SR00040110	Rotary Switch	
P700	1	YK105H1610	P.W. Board	21	P700	1	YK105H1610	P.W. Board	
			Main Amp & Power Supply					Main Amp & Power Supply	
	1	ZZ105H1610	P.W. Board Assembly	21		1	ZZ114H8610	P.W. Board Assembly	
CN01	1	DF17332300	Film 0.033μF ±20%	21	CK03	1	EA10703530	Elect 100μF 35V	
CN02	1	DF17332300	Film 0.033μF ±20%	21					
CN03	1	DF17332300	Film 0.033μF ±20%	21					
CN04	1	DF17332300	Film 0.033μF ±20%	21					
C715	1	DF17473500	Film 0.047μF ±20%	21					
C716	1	DF17473500	Film 0.047μF ±20%	21					
					C725	1	DD15330370	Ceramic 33pF ±0.5%	
					C726	1	DD15330370	Ceramic 33pF ±0.5%	
C808	1	EA10603530	Elect 10μF 35V	21	C808	1	EA33603530	Elect 33μF 35V	
RN01	1	GG05331140	Resistor 330Ω	21					
RN02	1	GG05331140	Resistor 330Ω	21					
RN03	1	GG05331140	Resistor 330Ω	21					
RN04	1	GG05331140	Resistor 330Ω	21					
RN05	1	GD05222140	Resistor 2.2KΩ	21					
RN06	1	GD05222140	Resistor 2.2KΩ	21					
RN07	1	GD05222140	Resistor 2.2KΩ	21					
RN08	1	GD05222140	Resistor 2.2KΩ	21					
RN09	1	GD05223140	Resistor 22KΩ	21					
RN10	1	GD05223140	Resistor 22KΩ	21					
R711	1	GD05332140	Resistor 3.3KΩ	21	R711	1	GD05272140	Resistor 2.7KΩ	
R712	1	GD05332140	Resistor 3.3KΩ	21	R712	1	GD05272140	Resistor 2.7KΩ	
R719	1	GD05151140	Resistor 150Ω	21	R719	1	GD05330140	Resistor 33Ω	
R720	1	GD05151140	Resistor 150Ω	21	R720	1	GD05330140	Resistor 33Ω	
R721	1	GD05680140	Resistor 68Ω	22	R721	1	GD05470140	Resistor 47Ω	
R722	1	GD05680140	Resistor 68Ω	22	R722	1	GD05470140	Resistor 47Ω	
R731	1	GA05100010	Resistor 10Ω	22					
R732	1	GA05100010	Resistor 10Ω	22					
R740	1	GD05222140	Resistor 2.2KΩ	22	R740	1	GD05102140	Resistor 1KΩ	
					R807	1	RF05056140	Fussible Resistor 5.6KΩ	

ORIGINAL MODEL SR1100 (N)					SHELTERED MODEL SR25 (N,A,T)			
REF. DESIG.	Q'TY	PARTS NO.	DESCRIPTION	PAGE	REF. DESIG.	Q'TY	PARTS NO.	DESCRIPTION
QN01	1	HT309452A0	Transistor 2SC945 (Q or R)	22				
QN02	1	HT309452A0	Transistor 2SC945 (Q or R)	22				
QN03	1	HT107332A0	Transistor 2SA733 (Q or R)	22				
QN04	1	HT107332A0	Transistor 2SA733 (Q or R)	22				
QN05	1	HD20001210	Diode 1S2473	22				
QN06	1	HD20001210	Diode 1S2473	22				
QN07	1	HD20001210	Diode 1S2473	22				
QN08	1	HD20001210	Diode 1S2473	22				
QN09	1	HD20001210	Diode 1S2473	22				
QN10	1	HD20001210	Diode 1S2473	22				
QN11	1	HD20001210	Diode 1S2473	22				
QN12	1	HD20001210	Diode 1S2473	22				
QK07	1	HD20001210	Diode 1S2473	22	QK07	1	HD30027090	Zener WZ-140
Q719	1	HD20015030	Diode DS135D	22				
Q720	1	HD20015030	Diode DS135D	22				
Q721	1	HD20015030	Diode DS135D	22				
Q722	1	HD20015030	Diode DS135D	22				
Q723	1	HT314001E0	Transistor 2SC1400 (E)	22	Q723	1	HT317752D0	Transistor 2SC1775 (C or D)
Q724	1	HT314001E0	Transistor 2SC1400 (E)	22	Q724	1	HT317752D0	Transistor 2SC1775 (C or D)
S701	1	SP02010590	Push Switch A/B S.P.K.	22				
PS00	1	YK105H0210	P.W. Board Switch	23	PS00	1	YK105H0210	P.W. Board Switch
	1	ZZ105H0210	P.W. Board Assembly	23		1	ZZ114H0210	P.W. Board Assembly
RS03	1	GD05222140	Resistor 2.2K $\Omega$	23	RS05	1	GD05562140	Resistor 5.6K $\Omega$
RS05	1	GD05682140	Resistor 6.8K $\Omega$	23	RS06	1	GD05562140	Resistor 5.6K $\Omega$
RS06	1	GD05682140	Resistor 6.8K $\Omega$	23	RS09	1	RM01040480	Variable 100K $\Omega$ x 2
RS09	1	RM01040270	Variable 100K $\Omega$ x 2	23	RS11	1	GD05102140	Resistor 1K $\Omega$
					RS12	1	GD05102140	Resistor 1K $\Omega$
WS01	1	YU06200260	Jumper Lead 200mm	23	WS01	1	YU06120260	Jumper Lead 120mm
WS02	1	YU06200260	Jumper Lead 200mm	23	WS02	1	YU06120260	Jumper Lead 120mm
PT00	1	YK105H1650	P.W. Board Terminal Speaker	23	PT00	1	YK105H1650	P.W. Board Terminal Speaker
	1	ZZ105H1650	P.W. Board Assembly	23		1	ZZ114H8650	P.W. Board Assembly
PJ01	1	YT03080010	Terminal Speaker (8P)	23	PJ01	1	YT03040210	Terminal Speaker (4P)
					CT02	1	DF17104500	Film 0.1 $\mu$ F $\pm$ 20%
					CT03	1	DF17104500	Film 0.1 $\mu$ F $\pm$ 20%
					CT05	1	DK18403320	Ceramic 0.04 $\mu$ F +80%, -20%
					CT06	1	DK18403320	Ceramic 0.04 $\mu$ F +80%, -20%
					RT02	1	GJ05100010	Resistor 10 $\Omega$ 1W
					RT03	1	GJ05100010	Resistor 10 $\Omega$ 1W
RX01	1	GD05222140	Resistor 2.2K $\Omega$	23	RX01	1	GD05102140	Resistor 1K $\Omega$
RX02	1	GD05101140	Resistor 100 $\Omega$	23	RX02	1	GD05102140	Resistor 1K $\Omega$
RX03	1	GD05222140	Resistor 2.2K $\Omega$	23	RX03	1	GD05220140	Resistor 220 $\Omega$
RX08	1	GD05103140	Resistor 10K $\Omega$	23	RX08	1	GD05104140	Resistor 100K $\Omega$
RX09	1	GD05102140	Resistor 1K $\Omega$	23	RX09	1	GD05103140	Resistor 10K $\Omega$
				23	RX17	1	GD05102140	Resistor 1K $\Omega$
				23	RX18	1	GD05222140	Resistor 2.2K $\Omega$
					PP00	1	YH114H0210	P.W. Board Fuse
						1	ZZ114H8210	P.W. Board Assembly
					FP01	1	FS10050800	Fuse
					JP01	1	YL01010040	Terminal
					JP04	1	YL01010040	Terminal
					JP09	1	YJ08000330	Jack
					JP10	1	YJ08000330	Jack

Different Parts between MODEL SR1100L (N,T) and SR25L (N,T)

ORIGINAL MODEL SR1100L (N,T)					SHELTERED MODEL SR25L (N,T)			
REF. DESIG.	Q'TY	PARTS NO.	DESCRIPTION	PAGE	REF. DESIG.	Q'TY	PARTS NO.	DESCRIPTION
A	1	105H063400	Front Panel Assembly	13	A	1	115H063400	Front Panel Assembly
001B	1	105H063010	Escutcheon Front Panel	13	001B	1	115H063010	Escutcheon Front Panel
002B	1	403H067010	Cap.	13	002B	2	114H067110	Cap.
					004B	1	114H259010	Bushing Push Switch
					005B	1	114H158010	Window
					009B	1	114H259020	Bushing Power Switch
B	1	107H063400	Dial Panel Assembly	13				
004B	1	107H063010	Escutcheon Panel Dial	13				
005B	1	105H158010	Window	13				
010B	4	105H154020	Knob Vol. Bal. Bass. Trable	13	010B	3	114H154120	Knob Vol. Bal. Bass. Trable
011B	1	403H154020	Knob Tuning	13	011B	1	114H154110	Knob Tuning
014B	1	105H154060	Knob Selector	13	014B	1	226H154120	Knob Selector
001D	1	208H257010	Lid Top Cover	14	001D	1	208H257110	Lid Top Cover
003D	2	2991259110	Bushing	14	003D	2	2991259010	Bushing
001R	1	2932861110	Label, Top Cover	14	001R	1	2932861010	Label, Top Cover
001E	1	107H160210	Bracket, Rear Panel (N only)	15	001E	1	115H160220	Bracket Rear Panel (N only)
001E	1	107H160220	Bracket Rear Panel (T only)	15	001E	1	115H160230	Bracket Rear Panel (T only)
005E	2	51280308U0	B.M. Tapped Screw B3 x 8	15				
008E	2	51420308T0	O.C.H. Tapped Screw $\phi 3 \times 8$	15	021E	1	404H160030	Bracket
					022E	2	51280308U0	B.H. Tapped Screw B3 x 8
					023E	1	1455259010	Bushing
J043	1	YP04000590	Plug AC Inlet	15				
J091	1	BY05060040	Voltage Selector (N only)	15	J045	1	YB00190020	Connective Cord
J091	1	BY05030030	Voltage Selector (T only)	15	W001	1	YC01800230	AC Power Cord (N only)
					W001	1	YC01800250	AC Power Cord (T only)
007B	1	208H154060	Knob Power Switch	16	007B	1	226H154130	Knob Power Switch
008B	6	105H154010	Knob Push Switch	16	008B	5	226H154140	Knob Push Switch
021G	1	105H273010	Flywheel	16	021G	1	114H273010	Flywheel
L001	1	TS16626020	Power Transformer (N only)	17	L001	1	TS16629010	Power Transformer (N only)
L001	1	TS16626060	Power Transformer (T only)	17	L001	1	TS16629010	Power Transformer (T only)
001S	1	107H801010	Packing Case	18	001S	1	115H801010	Packing Case
					011S	1	2864804010	Sleeve
019S	1	2731821010	Silicagel	18	019S	1	4136071010	Cleaner
001T	1	105H851310	Instructions	18	001T	1	114H851310	Instruction
002T	1	105H851320	Instructions	18	002T	1	114H851320	Instructions
003T	1	107H856010	Circuit Diagram (N only)	18				
004T	1	107H856010	Circuit Diagram (T only)	18				
P100	1	YG105H0010	P.W. Board Tuner	19	P100	1	YG105H0010	P.W. Board Tuner
	1	ZZ107H8010	P.W. Board Assembly	19		1	ZZ115H8010	P.W. Board Assembly
C103	1	EA33405030	Elect 0.33 $\mu$ F 50V	19				
C117	1	CA32200060	Variable FM-3, AM-2	19	C117	1	CA32200070	Variable FM-3, AM-2
R211	1	GD05223140	Resistor 22K $\Omega$	20				
R212	1	GD05104140	Resistor 100K $\Omega$	20				
Q101	1	HF400451B0	F.E.T. 3SK45B	20	Q101	1	HF200551D0	F.E.T. 2SK55 (D)
Q401	1	HC10008090	IC JRC4558	20	Q401	1	HC10013370	IC TL4558B
SV02	1	SR00040080	Rotary Switch	20	SV02	1	SR00040110	Rotary Switch
P700	1	YK105H1610	P.W. Board Main Amp & Power Supply	21	P700	1	YK105H1610	P.W. Board Main Amp & Power Supply
	1	ZZ105H1610	P.W. Board Assembly	21		1	ZZ114H8610	P.W. Board Assembly
CN01	1	DF17332300	Film 0.033 $\mu$ F $\pm 20\%$	21				
CN02	1	DF17332300	Film 0.033 $\mu$ F $\pm 20\%$	21				
CN03	1	DF17332300	Film 0.033 $\mu$ F $\pm 20\%$	21				
CN04	1	DF17332300	Film 0.033 $\mu$ F $\pm 20\%$	21				



ORIGINAL MODEL SR1100L (N,T)					SHELTERED MODEL SR25L (N,T)			
REF. DESIG.	Q'TY	PARTS NO.	DESCRIPTION	PAGE	REF. DESIG.	Q'TY	PARTS NO.	DESCRIPTION
RN01	1	GG05331140	Resistor 330Ω	21				
RN02	1	GG05331140	Resistor 330Ω	21				
RN03	1	GG05331140	Resistor 330Ω	21				
RN04	1	GG05331140	Resistor 330Ω	21				
RN05	1	GD05222140	Resistor 2.2KΩ	21				
RN06	1	GD05222140	Resistor 2.2KΩ	21				
RN07	1	GD05222140	Resistor 2.2KΩ	21				
RN08	1	GD05222140	Resistor 2.2KΩ	21				
RN09	1	GD05103140	Resistor 10KΩ	21				
RN10	1	GD05103140	Resistor 10KΩ	21				
QN01	1	HT309452A0	Transistor 2SC945 (Q or R)	22				
QN02	1	HT309452A0	Transistor 2SC945 (Q or R)	22				
QN03	1	HT107332A0	Transistor 2SA733 (Q or R)	22				
QN04	1	HT107332A0	Transistor 2SA733 (Q or R)	22				
QN05	1	HD20001210	Diode 1S2473	22				
QN06	1	HD20001210	Diode 1S2473	22				
QN07	1	HD20001210	Diode 1S2473	22				
QN08	1	HD20001210	Diode 1S2473	22				
QN09	1	HD20001210	Diode 1S2473	22				
QN10	1	HD20001210	Diode 1S2473	22				
QN11	1	HD20001210	Diode 1S2473	22				
QN12	1	HD20001210	Diode 1S2473	22				
Q719	1	HD20015030	Diode DS135D	22				
Q720	1	HD20015030	Diode DS135D	22				
Q721	1	HD20015030	Diode DS135D	22				
Q722	1	HD20015030	Diode DS135D	22				
S701	1	SP02010590	Push Switch A/B S.P.K.	22				
PS00	1	YF107H0020	P.W. Board Assembly Switch	23	PS00	1	YF107H0020	P.W. Board Assembly Switch
	1	ZZ107H0020	P.W. Board Assembly	23		1	ZZ115H8020	P.W. Board Assembly
RS10	1	RM01040270	100KΩ Variable	23	RS10	1	RM01040480	100KΩ Variable
PT00	1	YK105H1650	P.W. Board Terminal Speaker	23	PT00	1	YK105H1650	P.W. Board Terminal Speaker
	1	ZZ105H1650	P.W. Board Assembly	23		1	ZZ114H8650	P.W. Board Assembly
CT01	1	DF17104500	Film 0.1μF ±20%	23				
CT04	1	DF17104500	Film 0.1μF ±20%	23				
RT01	1	GJ05100010	Resistor 10Ω ±5% 1W	23				
RT04	1	GJ05100010	Resistor 10Ω ±5% 1W	23	PJ01	1	YT03040210	Terminal SPK (4P)
PJ01	1	YT03080010	Terminal SPK (8P)	23	WT01	1	YU04500240	Jumper Lead 500mm (4P)
WT01	1	YU06500240	Jumper Lead 500mm (6P)		PP00	1	YH114H0210	P.W. Board Fuse
						1	ZZ114H8210	P.W. Board Assembly
					FP01	1	FS10050800	Fuse
					JP01	1	YL01010040	Terminal
					JP04	1	YL01010040	Terminal
					JP09	1	YJ08000330	Jack
					JP10	1	YJ08000330	Jack

Different Parts between MODEL SD1030 (N,A,T) and SD25 (N,A,T)

ORIGINAL MODEL SD1030 (N,A,T)					SHELTERED MODEL SD25 (N,A,T)			
REF. DESIG.	Q'TY	PARTS NO.	DESCRIPTION	PAGE	REF. DESIG.	Q'TY	PARTS NO.	DESCRIPTION
A	1	124T063400	Front Panel Assembly	18	A	1	127T063400	Front Panel Assembly
001B	1	124T063010	Escutcheon Front Panel	18	001B	1	127T063010	Escutcheon Front Panel
040B	1	124T158020	Window L.E.D.	18	040B	1	124T158120	Window L.E.D.
002B	1	124T063020	Escutcheon	18	002B	1	124T063120	Escutcheon
010B	1	102T154070	Knob Rec Level (R)	18	010B	1	102T154020	Knob Rec Level (R)
011B	1	102T154050	Knob Rec Level (L)	18	011B	1	102T154010	Knob Rec Level (L)
012B	1	408H154010	Knob Power	18	012B	1	226H154130	Knob Power
020B	1	124T158500	Window K	18	020B	1	124T158510	Window K
030B	1	124T064010	Case Button	18	030B	1	124T064110	Case Button
S001	1	SP01010510	Push Switch	18	S001	1	SP02010690	Push Switch
050B	1	124T257010	Lid Top Cover	19	050B	1	124T257110	Lid Top Cover
060B	1	124T105030	Chassis Rear Panel (N only)	19	060B	1	124T105110	Chassis Rear Panel
060B	1	124T105040	Chassis Rear Panel (A, T only)	19	060B	1	124T105110	Chassis Rear Panel
801B	2	51280406B0	B.H. Tapped Screw B4 x 6	19	604B	1	1455259030	Bushing Power Cord
951B	1	2932861110	Level Caution	19	951B	1	2932861010	Level Caution
J093	1	YP04000580	Plug AC Inlet	19				
L801	1	TS14820020	Power Transformer (N only)	19				
L801	1	TS14820030	Power Transformer (A, T only)	19				
W001	1	ZC01805010	A.C. Power Cord (N only)	19	W001	1	YB00500250	Connective Cord (N only)
W001	1	ZC01604010	A.C. Power Cord (T only)	19	W001	1	YB00500250	Connective Cord (T only)
W001	1	ZC02006020	A.C. Power Cord (A only)	19	W001	1	YB00500250	Connective Cord (A only)
001T	1	124T851310	Instructions	25				
002T	1	124T851320	Instructions	25				
003T	1	9631000093	Guarantee Card (A only)	25				
003T	1	9630000200	Guarantee Card (T only)	25				
003T	1	124T856010	Circuit Diagram (N only)	25				
004T	1	124T856010	Circuit Diagram (T only)	25				
001U	1	124T801020	Packing Case	25	001U	1	127T801010	Packing Case
007U	4	9526019030	Serial No. Card (A only)	25	007U	1	9526019060	Serial No. Card
009U	1	2731821010	Silicagel (N, T only)	25				
002V	1	4136071010	Cleaner	25				
CG09	1	EA47601630	Elect 47 $\mu$ F 16V	26				
CG10	1	EA47601630	Elect 47 $\mu$ F 16V	26				
CG20	1	DK18103300	Ceramic 0.01 $\mu$ F	26				
CU21	1	DK18103300	Ceramic 0.01 $\mu$ F	27				
RG27	1	GD05221140	Resistor 220 $\Omega$ 1/4W	27				
RG28	1	GD05221140	Resistor 220 $\Omega$ 1/4W	27				
RG33	1	GD05471140	Resistor 470 $\Omega$ 1/4W	27				
RG34	1	GD05471140	Resistor 470 $\Omega$ 1/4W	27				
JG01	1	YJ01001460	Jack Head Phone	29				
G001	1	DK18103840	Ceramic 0.01 $\mu$ F	29				
P801	1	YK124T1440	P.W. Board	29				

## SYSTEM DC250/DC250L TECHNICAL SPECIFICATIONS(DIN)

### MODEL SR25/SR25L

#### AUDIO SECTION

##### POWER OUTPUT PER CHANNEL

4 OHMS DIN	48W
4 OHMS RMS	33W
8 OHMS DIN	35W
8 OHMS RMS	30W
TOTAL HARMONIC DISTORTION AT RMS 8 OHMS	0.3%

##### Signal-to-Noise Ratio

Phono	70 dB
Aux	90 dB

#### FM TUNER SECTION

Frequency Range	87.5 ~ 108 MHz
Usable Sensitivity	
DIN Mono (S/N 26 dB, 75 ohms)	1.5 $\mu$ V
DIN Stereo (S/N 46 dB, 75 ohms)	25 $\mu$ V
Signal-to-Noise Ratio, 98 MHz	
Unweighted: Mono	70 dB
Stereo	63 dB
Weighted: Mono	73 dB
Stereo	66 dB

#### MW TUNER SECTION

Frequency Range	525 ~ 1630 kHz
Usable Sensitivity (20 dB S/N 30% Mod., 1 MHz)	10 $\mu$ V
Selectivity	25 dB

#### LW TUNER SECTION

Frequency Range	150 ~ 350 kHz
Usable Sensitivity (20 dB S/N 30% 250 kHz)	100 $\mu$ V
Power Consumption at Rated Output, Both Channels Operating	160W
Dimensions (W x H x D)	416 x 73 x 302 mm
Weight	6 kg

### MODEL SD25

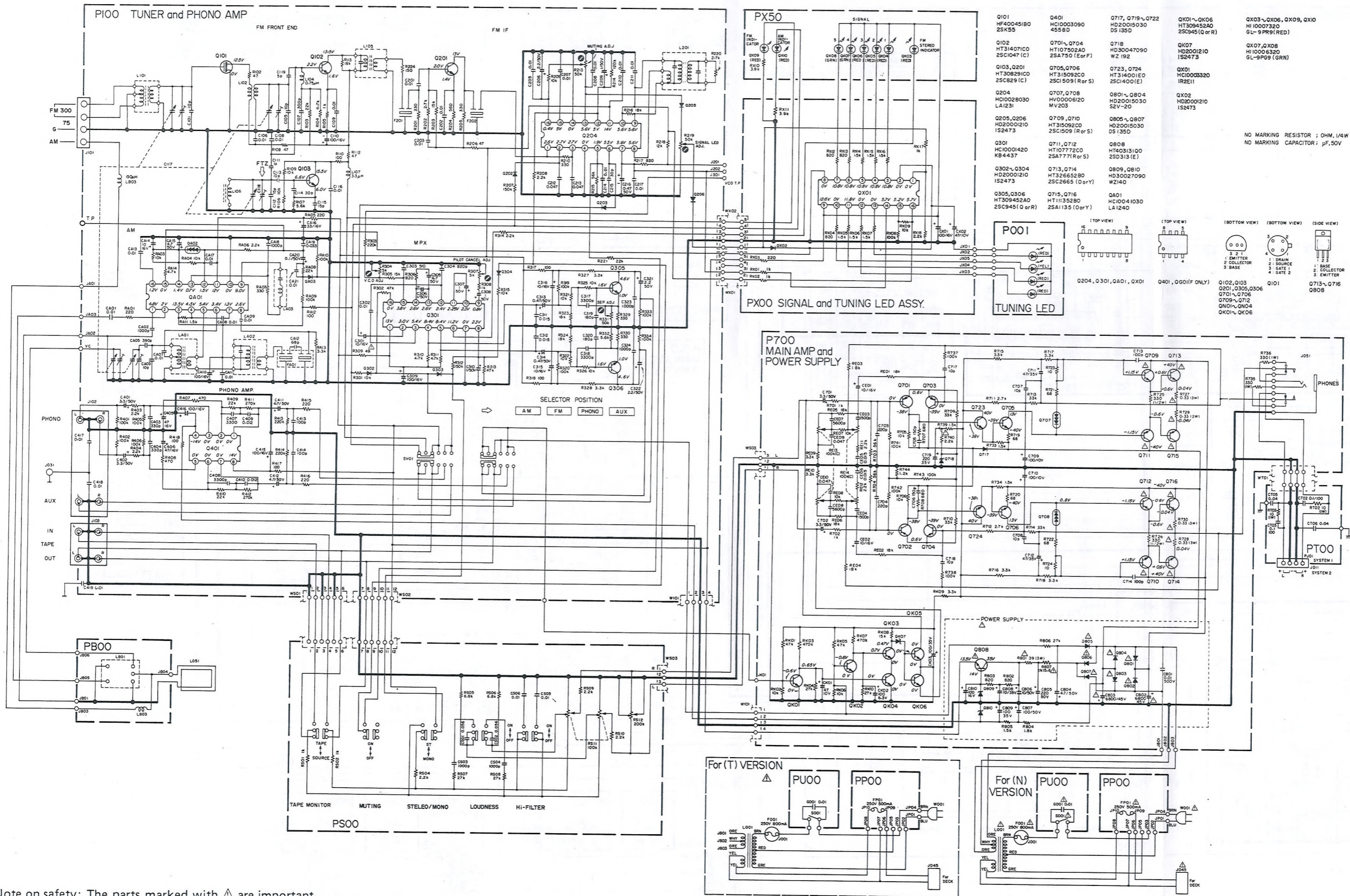
Style	Front load
Overall Frequency Response at -20 dB	
Normal Tape	30 Hz ~ 15 kHz
CrO <sub>2</sub> Tape	30 Hz ~ 16 kHz
Metal Tape	30 Hz ~ 17.5 kHz
Signal-to-Noise Ratio:	
Dolby (ON)	66 dB
Dolby (OFF)	56 dB
Wow and Flutter	
DIN WTD	0.13%
Dimensions (W x H x D)	416 x 100 x 193 mm
Weight	3 kg
Power Requirement	
N version	220V AC, 50 Hz
T version	240V AC, 50 Hz

Specifications and appearance are subject to change for modification without notice.

NOTE.



**SCHEMATIC DIAGRAM (Model SR25)**

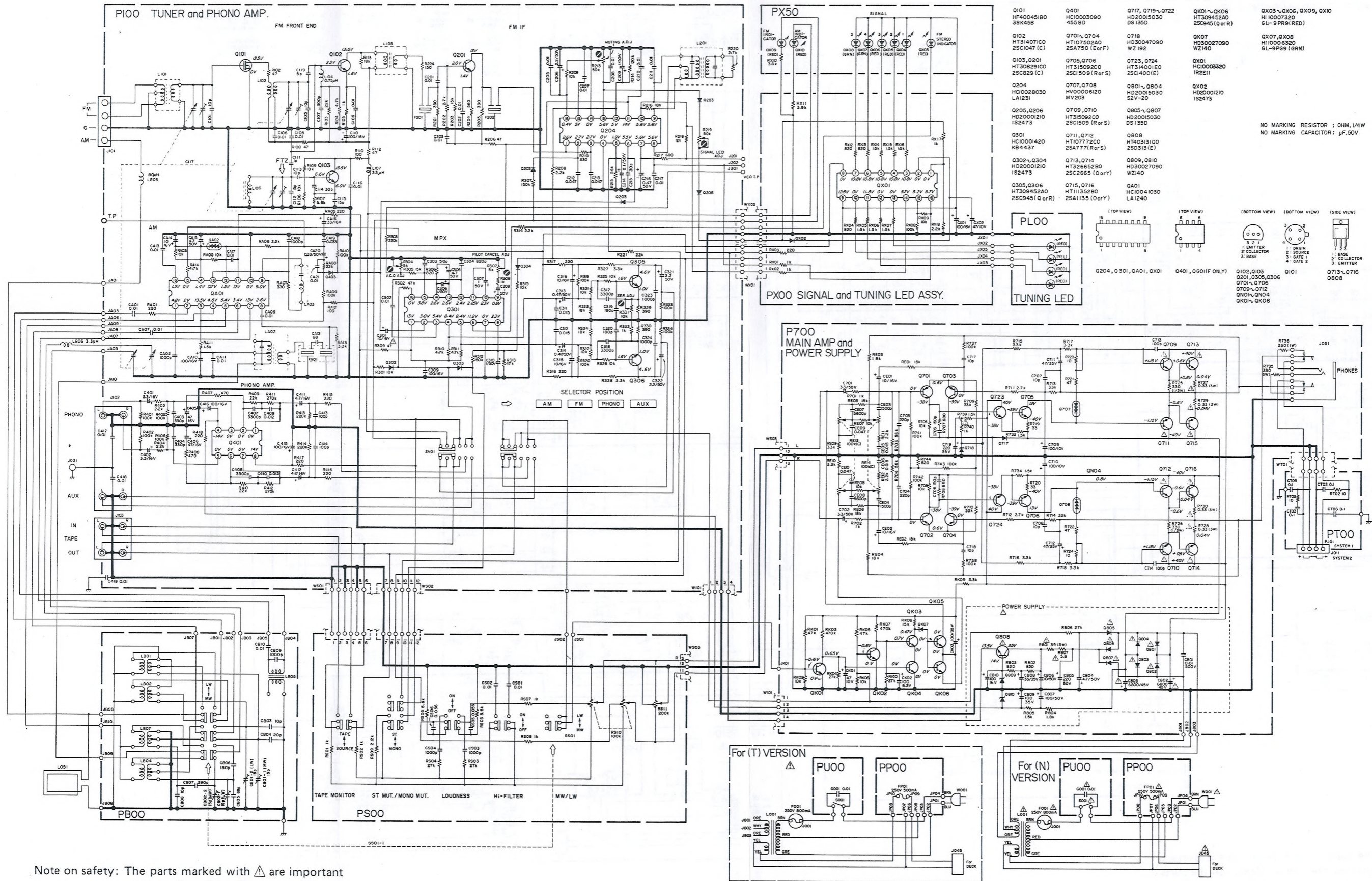


Note on safety: The parts marked with  $\Delta$  are important parts on the safety. Please use the parts having the designated parts number without fail.

Components and wiring are subject to change for modification without notice.



SCHEMATIC DIAGRAM (Model SR25L)

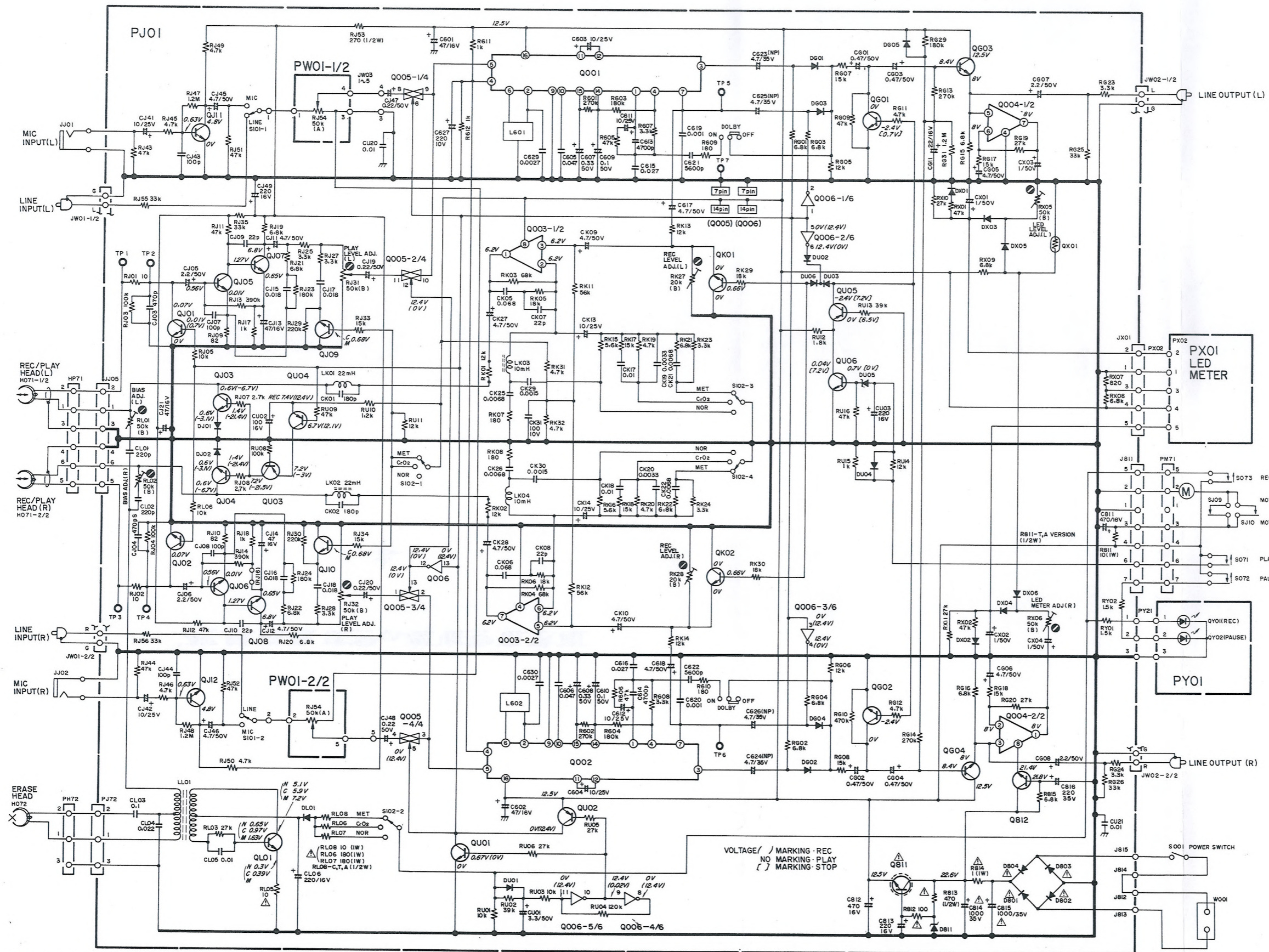


Note on safety: The parts marked with  $\Delta$  are important parts on the safety. Please use the parts having the designated parts number without fail.

Components and wiring are subject to change for modification without notice.



**SCHEMATIC DIAGRAM (Model SD25)**



- Q001, Q002  
HC10010270  
NE646B
- Q003, Q004  
HC10003090  
4558D
- Q005  
HC406600B0  
4066C
- Q006  
HC406905B0  
TC4069UBP
- Q811  
HT403131E0  
2SD313 (E)
- Q003, Q004, Q007, Q008  
HT309451P0  
2SC945 (P)
- QJ05, QJ06, QJ11, QJ12  
HT315701G0  
2SC1570 (G)
- Q01  
HT313841R0  
2SC1384 (R)
- QU02~QU05  
HT107332A0  
2SA733 (RQ)
- QY01, QY02  
H110007320  
GL-9RP9
- QX01  
HH00003030  
SDT-04
- D811  
HD30087090  
BZ-130
- D801~D804  
HD20015032  
DS-135D
- DJ01, DJ02, DG01~DG05  
DL01, DU01~DU04  
DX01, DX02  
HD20011050  
IS1555
- DX03~DX06  
HD10004020  
OA91
- PX01  
H11203320  
TL-100B

Note on safety: The parts marked with  $\triangle$  are important parts on the safety. Please use the parts having the designated parts number without fail.

Components and wiring are subject to change for modification without notice.



NOTE.



**marantz**®