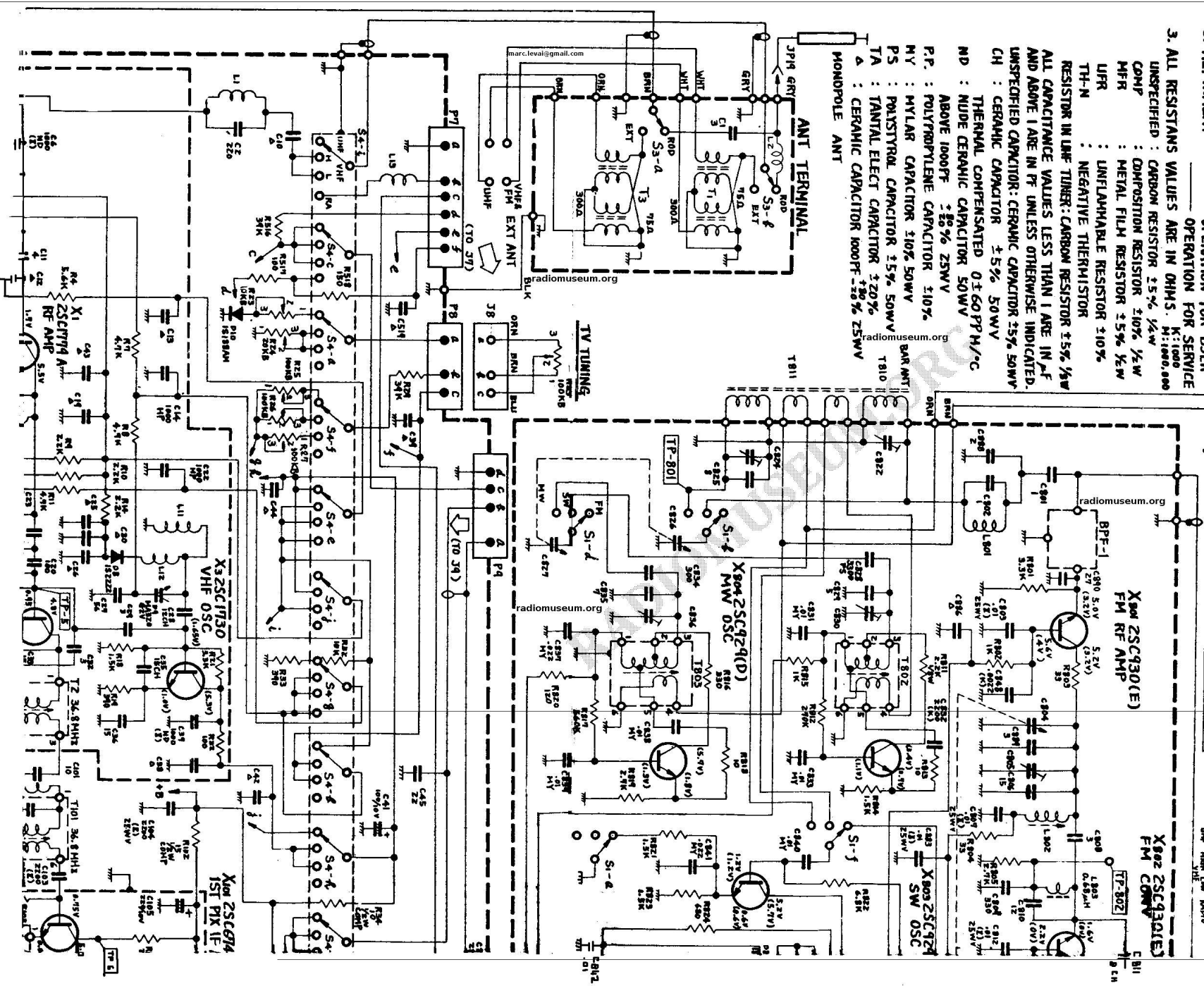


JVC TELEVISION SCHEMATIC



NOTE

- 1. ALL VOLTAGES SHOW READS BY VOLT METER(20kΩ) ON NORMAL RECEPTION.
- 2. TV ARE ON UHF RECEPTION EXCEPT THOSE X5 IS ON VHF.
- 3. SEE NOTE 5 FOR THOSE DIODES OF TUNERS.
- 4. RADIO ARE ON FM RECEPTION, () ARE ON SW OR MW, EXCEPT THOSE X 803 IS ON SW. X804 IS ON MW.
- 5. AMP ARE ON PB, () ARE ON REC.
- 6. ALIGNMENT

OPERATION FOR USER

3. ALL RESISTANS VALUES ARE IN OHMS. M:1000, K:10000, UNPECIFIED : CARBON RESISTOR ±5%, 1/4W
 COMP : COMPOSITION RESISTOR ±10%, 1/2W
 MFR : METAL FILM RESISTOR ±5%, 1/4W
 UFR : UNFLAMMABLE RESISTOR ±10%

TH-N : NEGATIVE THERMISTOR
 RESISTOR IN UHF TUNER: CARBON RESISTOR ±5%, 1/4W

ALL CAPACITANCE VALUES LESS THAN 1 ARE IN pF AND ABOVE 1 ARE IN PF UNLESS OTHERWISE INDICATED.

CH : CERAMIC CAPACITOR ±5%, 50MV
 THERMAL COMPENSATED 0 ±50 PPM/°C
 ND : MIDE CERAMIC CAPACITOR 50MV
 ABOVE 1000PF ±50% 25WV
 P.F. : POLYPROPYLENE CAPACITOR ±10%
 MY : MYLAR CAPACITOR ±10%, 50WV
 PS : POLYSTYREN CAPACITOR ±5%, 50WV
 TA : TANITAL ELECT CAPACITOR ±20%
 Δ : CERAMIC CAPACITOR 1000PF ±20% 25WV
 MONOPOLE ANT

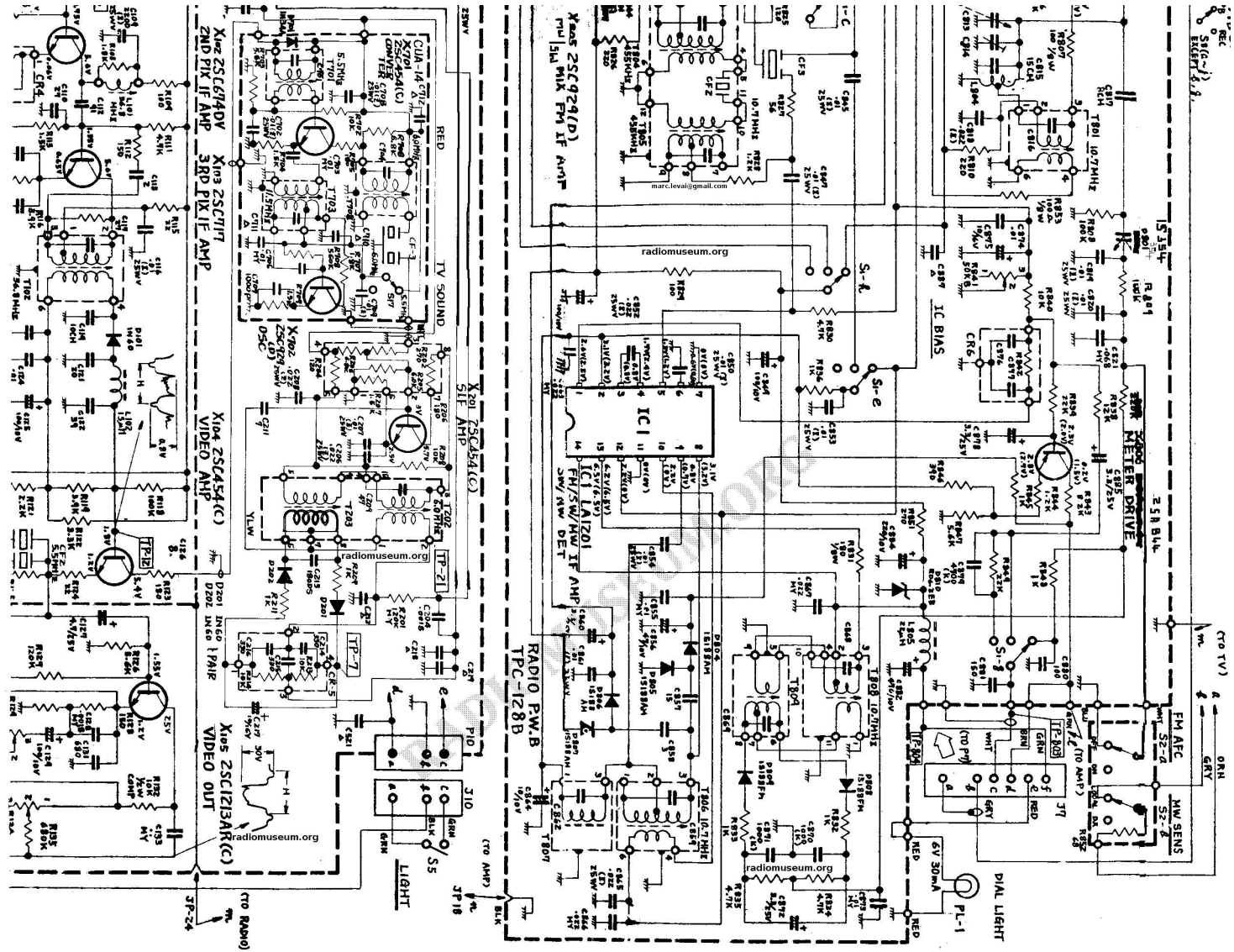
5. VOLTAGES AT DIODE OF TUNER

Diode	VHF		UHF	
	Low	High	Low	High
D1, D2	-6.5	0.75	0	0
D3	0	1.5	0	0
D4	-6.5	-6.5	0	0
D4, D4	4.5~17	15~17	-0.7	-0.7
D4, D4	1.5~17	15~17	-0.88	-0.88
D4, D4	1.5~17	15~17	0.4~0.5	0.4~0.5

6. SELECTOR SW POSITION

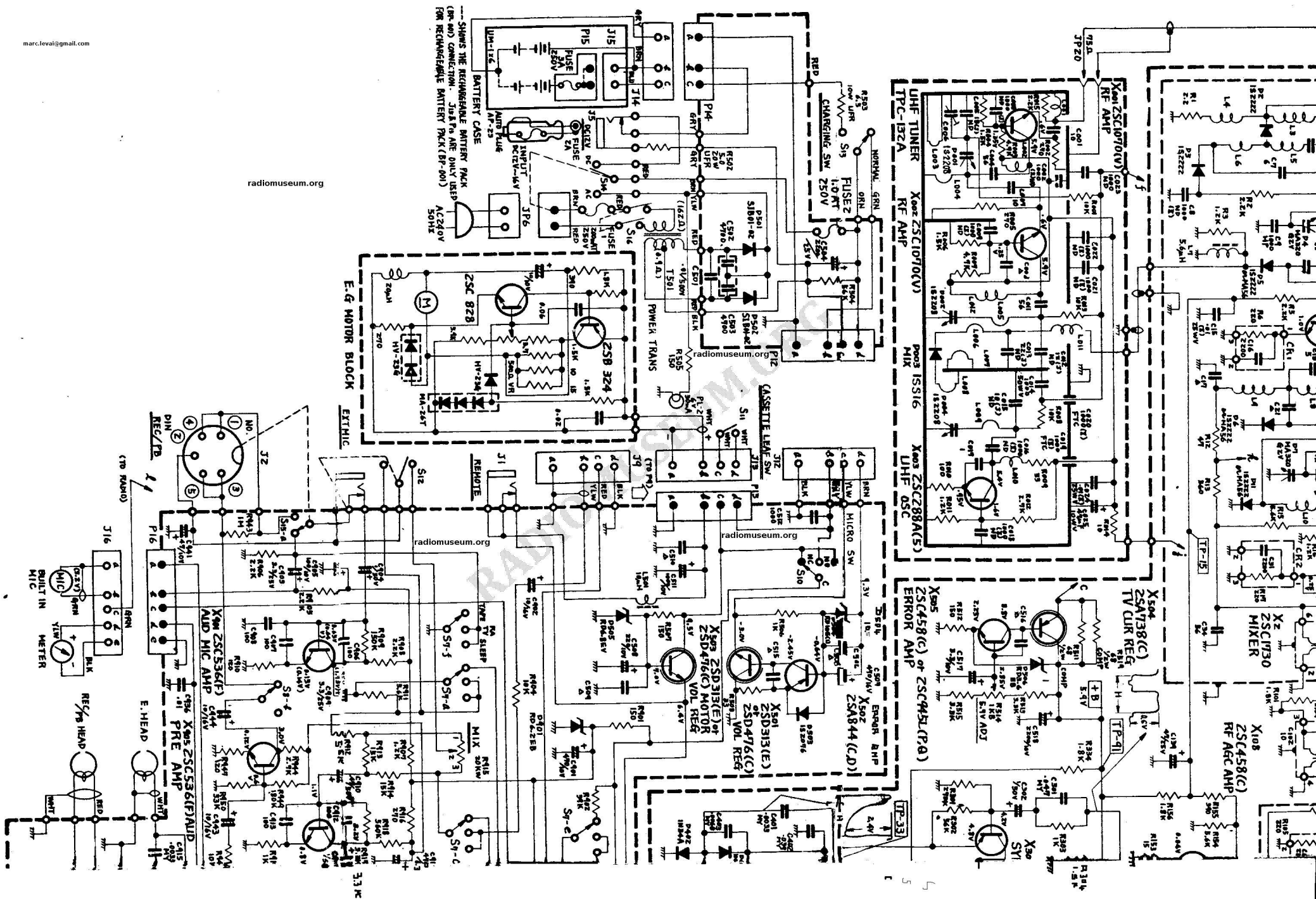
RADIO BAND SW
 FM SW 5 (A~E)
 MW 0

TV RADIO BAND SW
 S1(a~j)
 UHF High Lw Bands
 VHF

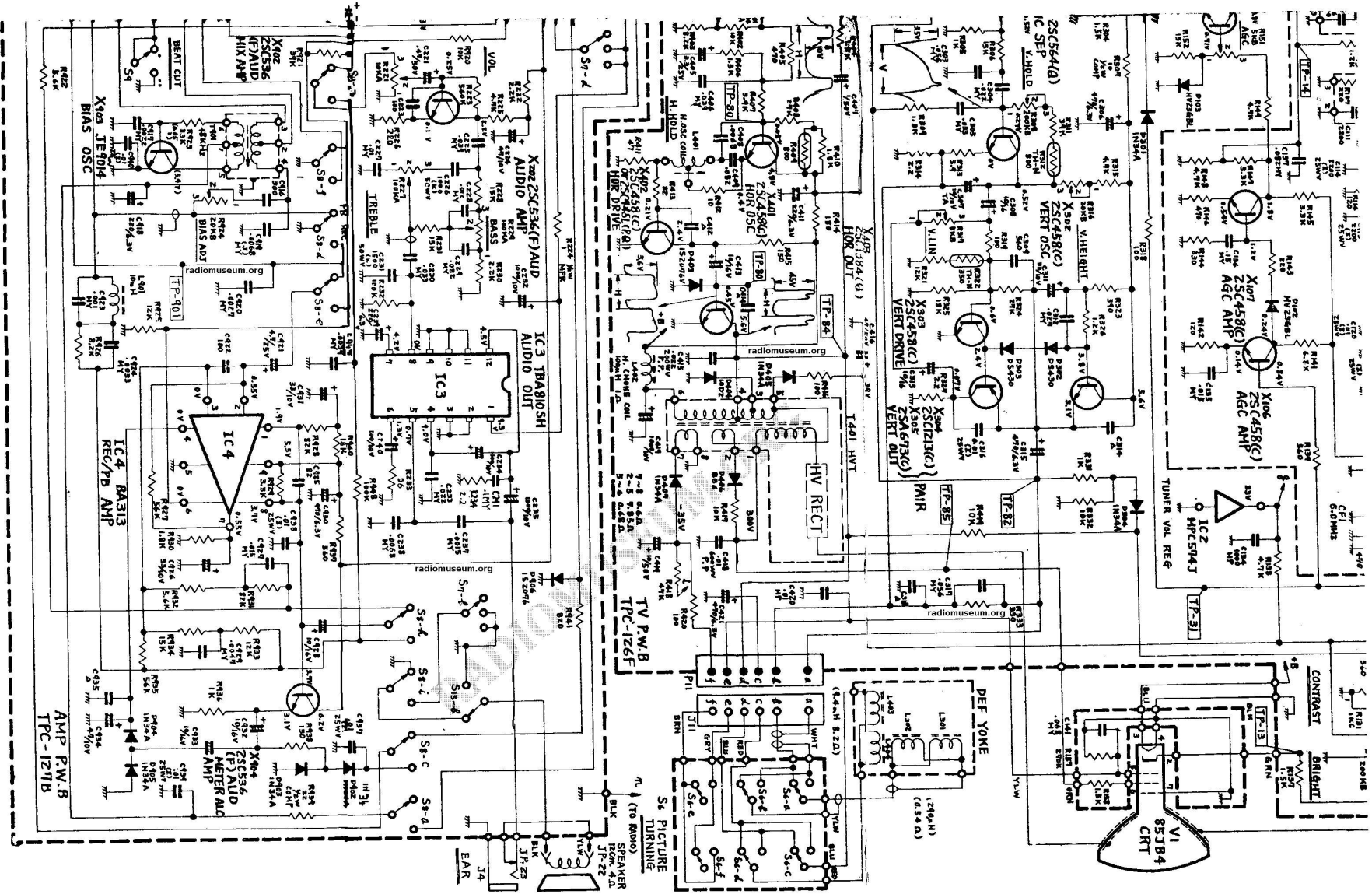


marc.levai@gmail.com

radiomuseum.org



marc.levai@gmail.com



* This is fundamental circuit diagram and it may be altered due to some improvement.
Printed in Japan