

electrophone



RCA VICTOR



Model 3-VA-11 *The "Polka"*

Charcoal Gray and White

"VICTROLA"® SERVICE DATA

—File: 1962 No. 6—

Model 3-VA-11

Chassis No. RS-197

Record Changer RP-216-B3

RCA SALES CORPORATION

A RADIO CORPORATION OF AMERICA SUBSIDIARY
600 NORTH SHERMAN DRIVE
INDIANAPOLIS 1, INDIANA

SPECIFICATIONS

TUBE COMPLEMENT

- (1) RCA 50C5Output
- (2) RCA 35W4Rectifier

POWER SUPPLY RATING

120 volts, 60 cycles45 watts

MUSIC POWER OUTPUT

Undistorted0.3 watts
Maximum1.5 watts

LOUDSPEAKER

Size and type4" PM
Voice coil impedance3.2 ohms

RECORD CHANGER (RP-216-3)

Turntable speed16 $\frac{2}{3}$, 33 $\frac{1}{3}$, 45 or 78 rpm
Record capacityUp to fifteen 7 inch
or twelve 10 inch
or ten 12 inch
or ten 12 inch and 10 inch intermixed
Pickup (Stock No. 106776)Crystal
Styli: 1-mil synthetic sapphireStock No. 103331
3-mil synthetic sapphireStock No. 105483

CABINET DIMENSIONS

Height8 $\frac{7}{8}$ " Width17 $\frac{3}{4}$ " Depth15 $\frac{7}{8}$ "

WEIGHT.....Approx. 15 $\frac{3}{4}$ lbs.

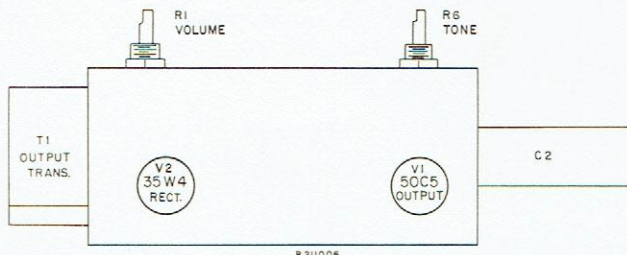
DESCRIPTION

The Model 3-VA-11 is a portable high fidelity monophonic "Victrola". It is capable of playing 7-inch, 10-inch or 12-inch records at 16 $\frac{2}{3}$, 33 $\frac{1}{3}$, 45 or 78 rpm.

The amplifier (RS-197) uses two tubes including the rectifier. Separate TONE and VOLUME controls are provided for the regulation of the sound.

The one-piece case is covered with simulated leather.

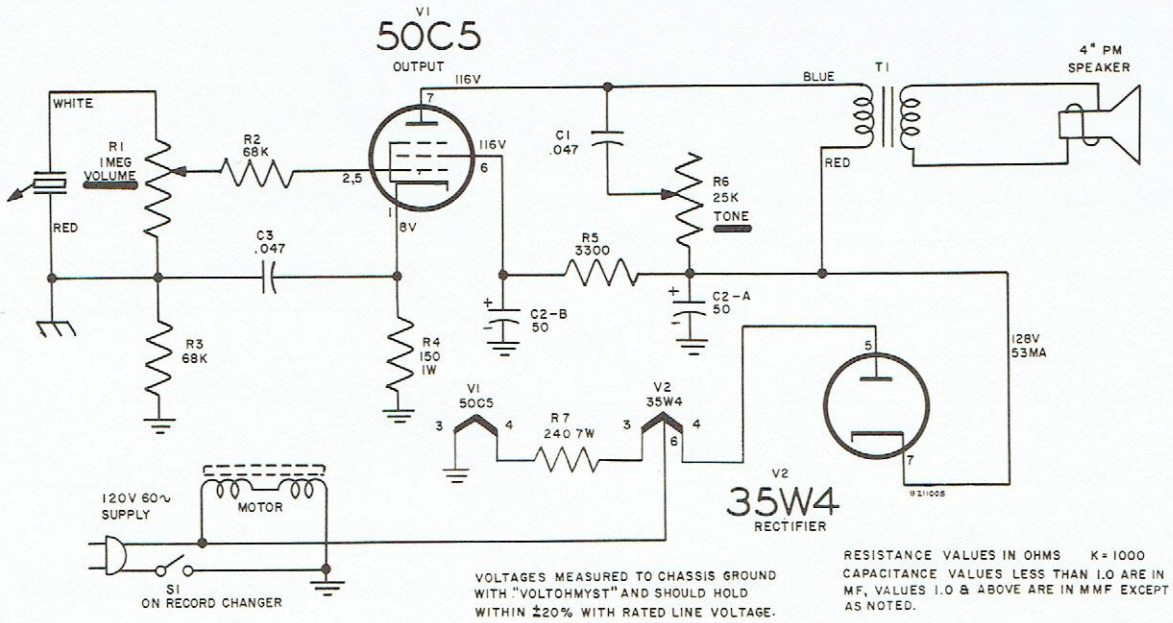
The four-speed automatic record changer (RP-216-B3) is equipped with a high-output crystal "turn-over" pickup using a 1-mil synthetic sapphire stylus for microgroove and a 3-mil synthetic sapphire for 78 rpm operation. The switch on the record changer controls the power to both the changer and the amplifier, thus providing for automatic shut-off of the entire instrument after the last record has been played.



View of Chassis Showing Location of Tubes and Major Components

SUPPLEMENTARY INFORMATION LISTINGS

Vol.	Issue	Subject



Schematic Diagram

REPLACEMENT PARTS

SYMBOL NO.	STOCK NO.	DESCRIPTION
AMPLIFIER ASSEMBLY RS-197		
C1 C2A/B C3	110318	Capacitor—paper, 0.047 μ f, $\pm 20\%$, 400 v Capacitor—electrolytic, 50/50 μ f, 150/150 v Capacitor—paper, 0.047 μ f, $\pm 20\%$, 400 v
RESISTORS: fixed, composition, 1/2 watt, unless otherwise specified		
R1	110313	control—volume control
R2, R3		68,000 ohm, $\pm 20\%$
R4		150 ohm, $\pm 10\%$, 1 watt
R5		3300 ohm, $\pm 20\%$
R6	110314	control—tone control
R7	110319	240 ohm, wirewound, $\pm 5\%$, 7 watt
T1	108687 110317 73117	Transformer—output transformer Socket—7 pin miniature tube socket—for V1 Socket—7 pin miniature tube socket—for V2
RECORD CHANGER ASSEMBLY		
S1	70392 104966	Switch—part of motorboard Cable—AC power cord Connector—closed end type splicing connector—for motor lead

SYMBOL NO.	STOCK NO.	DESCRIPTION
SPEAKER ASSEMBLY		
	79696B	Speaker—4" PM, 3.2 ohms voice coil
MISCELLANEOUS		
	X5378	Cabinet—Charcoal Gray/White
	104583	Foot—cabinet foot
	110343	Handle—carrying handle with supports
	110344	Hinge—cabinet lid hinge
	110315	Knob—tone control knob
	110316	Knob—volume control knob
	110345	Latch—cabinet lid latch
	109161	Nameplate—"RCA Victor"
	110804	Retainer—Tone arm retainer
	107874	Spring—control knob retaining spring
RECORD CHANGER RP-216-B3, IS SIMILAR TO RP-216-3, AND SERVICE DATA—1960 NO. 17 AND 1961 NO. 11 WILL APPLY		

APPLY TO YOUR RCA DISTRIBUTOR FOR PRICES OF REPLACEMENT PARTS