

SERVICE MANUAL

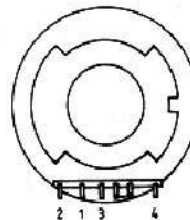
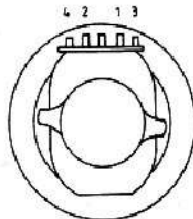
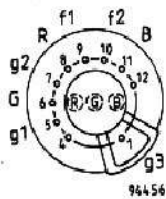
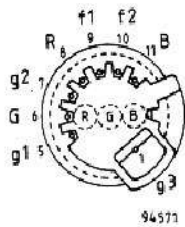
LUXOR

LUXOR

CTV CHASSIS L-2

TYPES 180	5564	6369
	5569	7064
	6364	7069

ASSEMBLIES OF VERT. AND HOR. YOKES:



NB. Safety components marked with Δ must be replaced with original or approved components only and must also be mounted as the original. All printed boards and the back cover are also safety components.

The manufacturer reserves the right to change the design and specification without prior notice or warning.

M = Metal film resistor

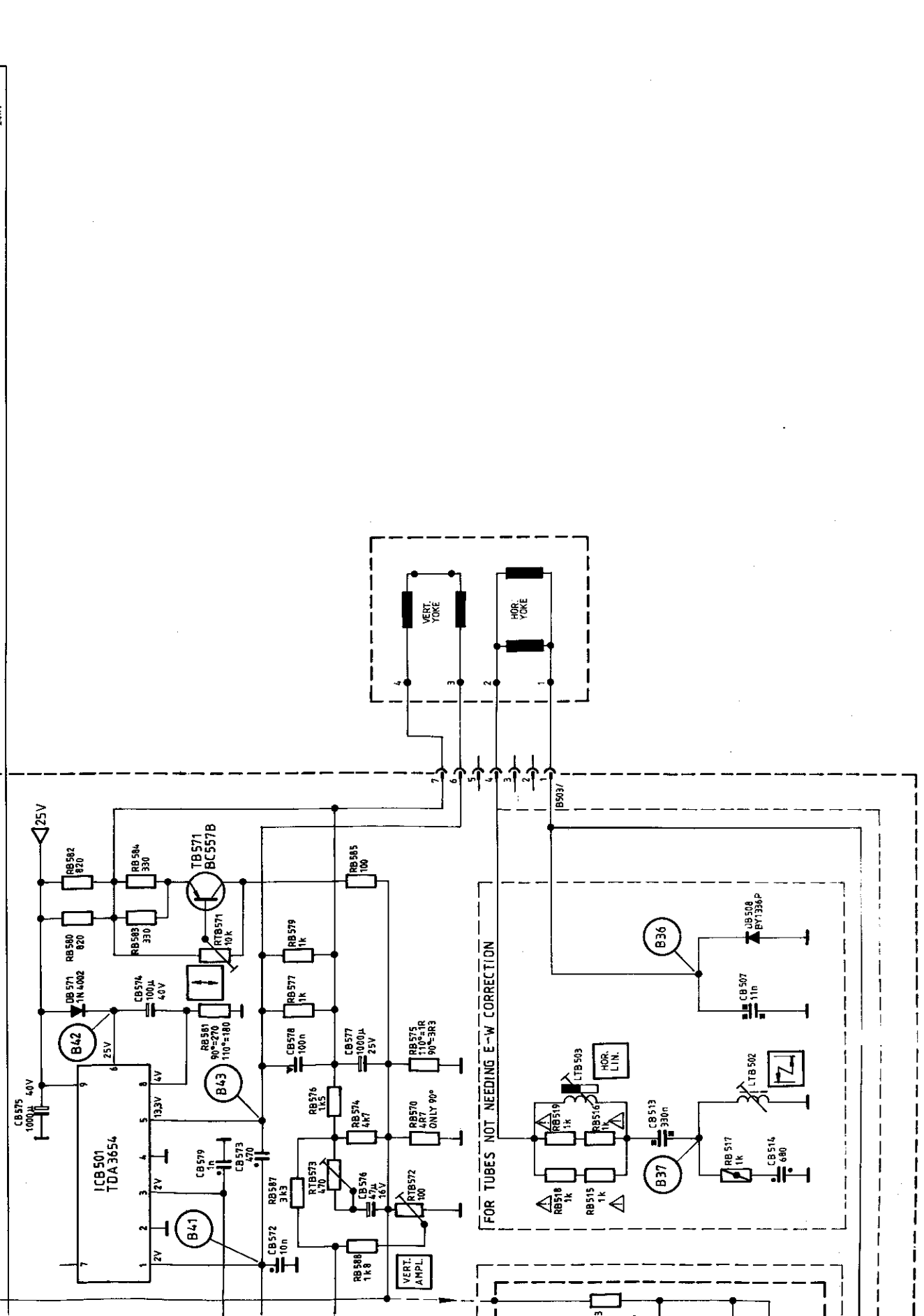
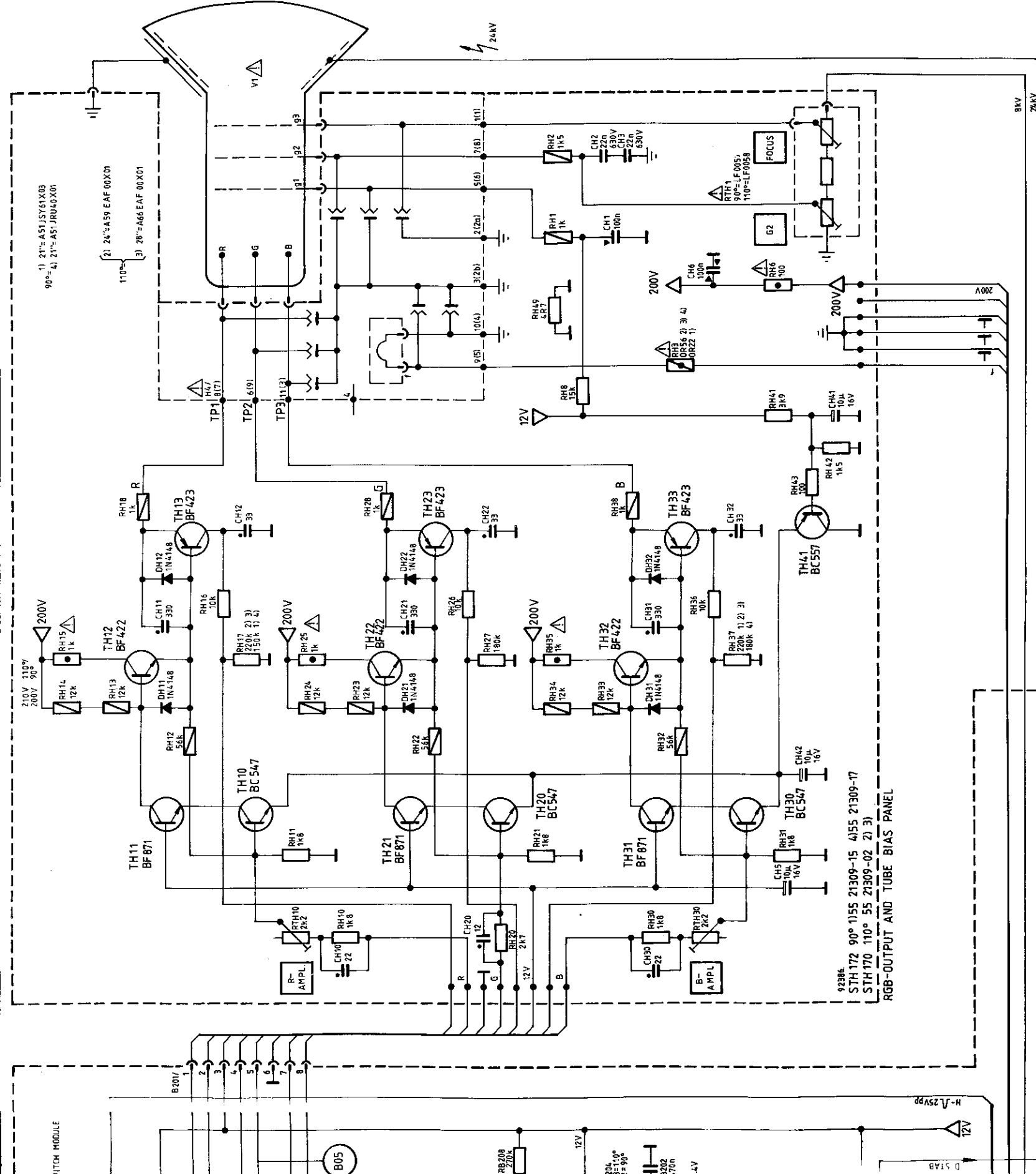
●—● = Take off jumper

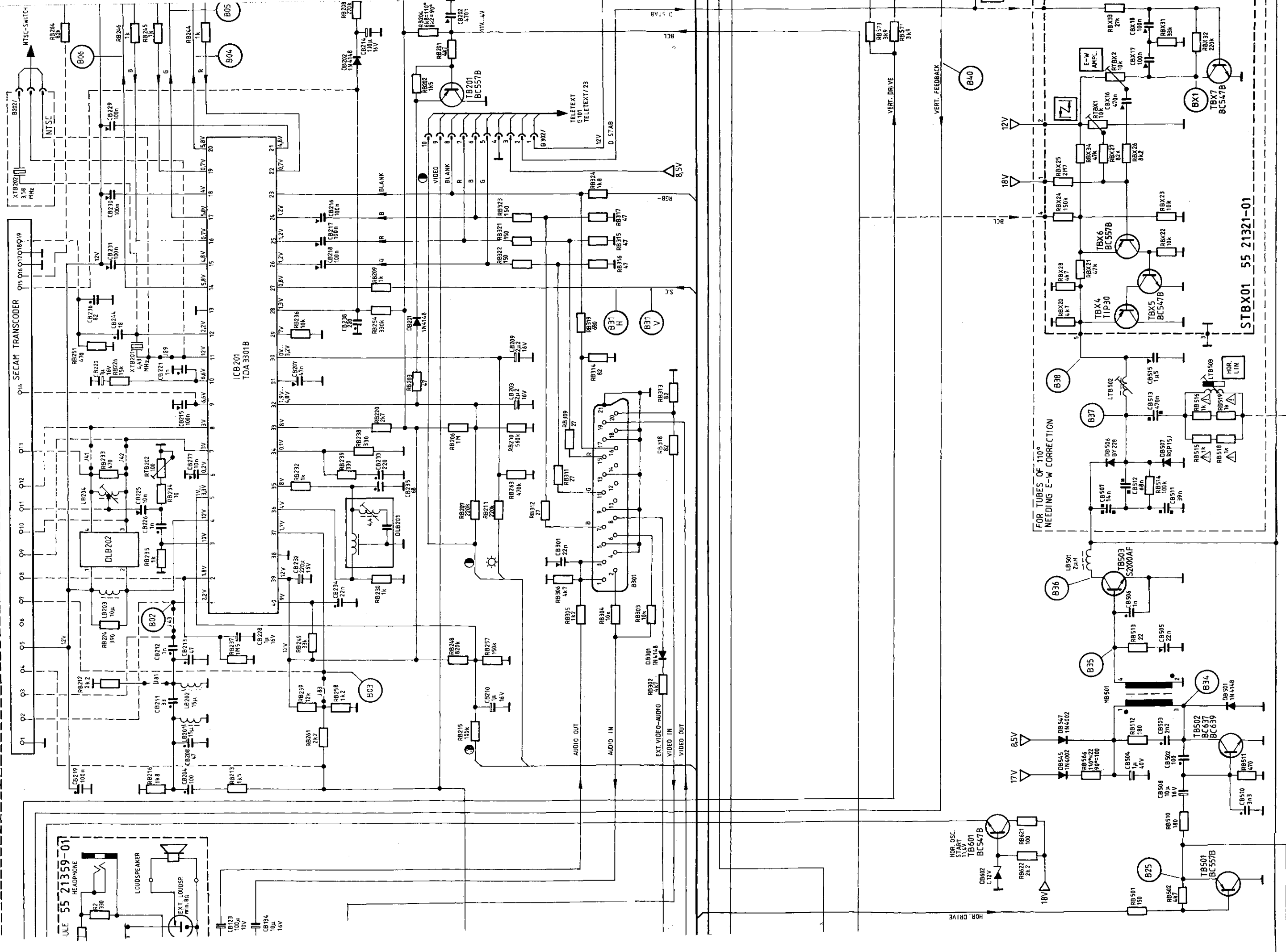
—●— = Insert jumper

* = From original source only

94951

	Ceram.	Polypropylen	Polyester Polycarb.
	63V	63V	100V
	1/4 W 160V	160V	160V
	1/2 W 250V	250V	250V
	1 W 500V	500V	400V
	2 W 1,5kV	1,5kV	1,5kV

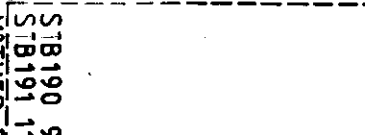
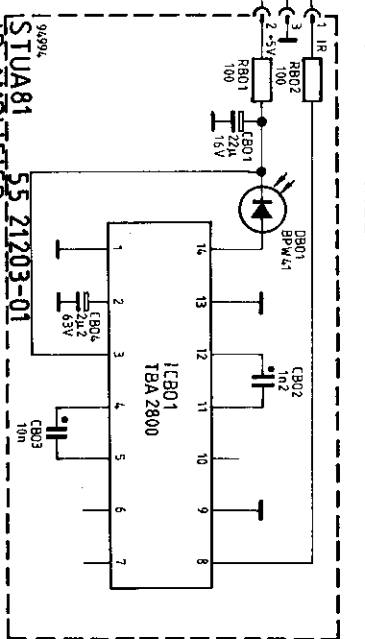
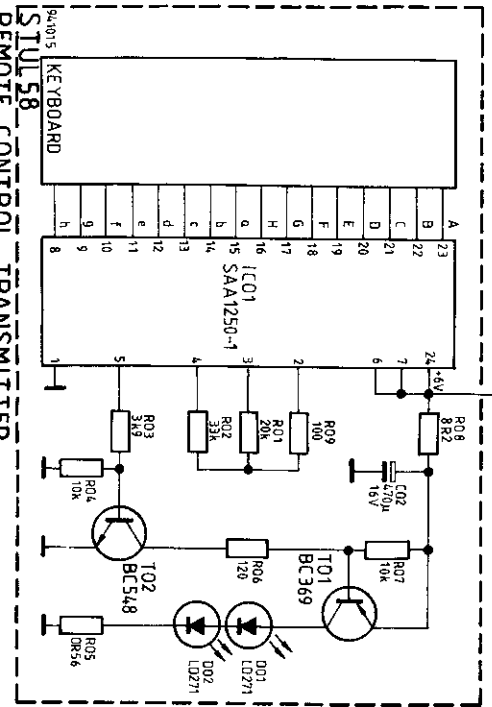
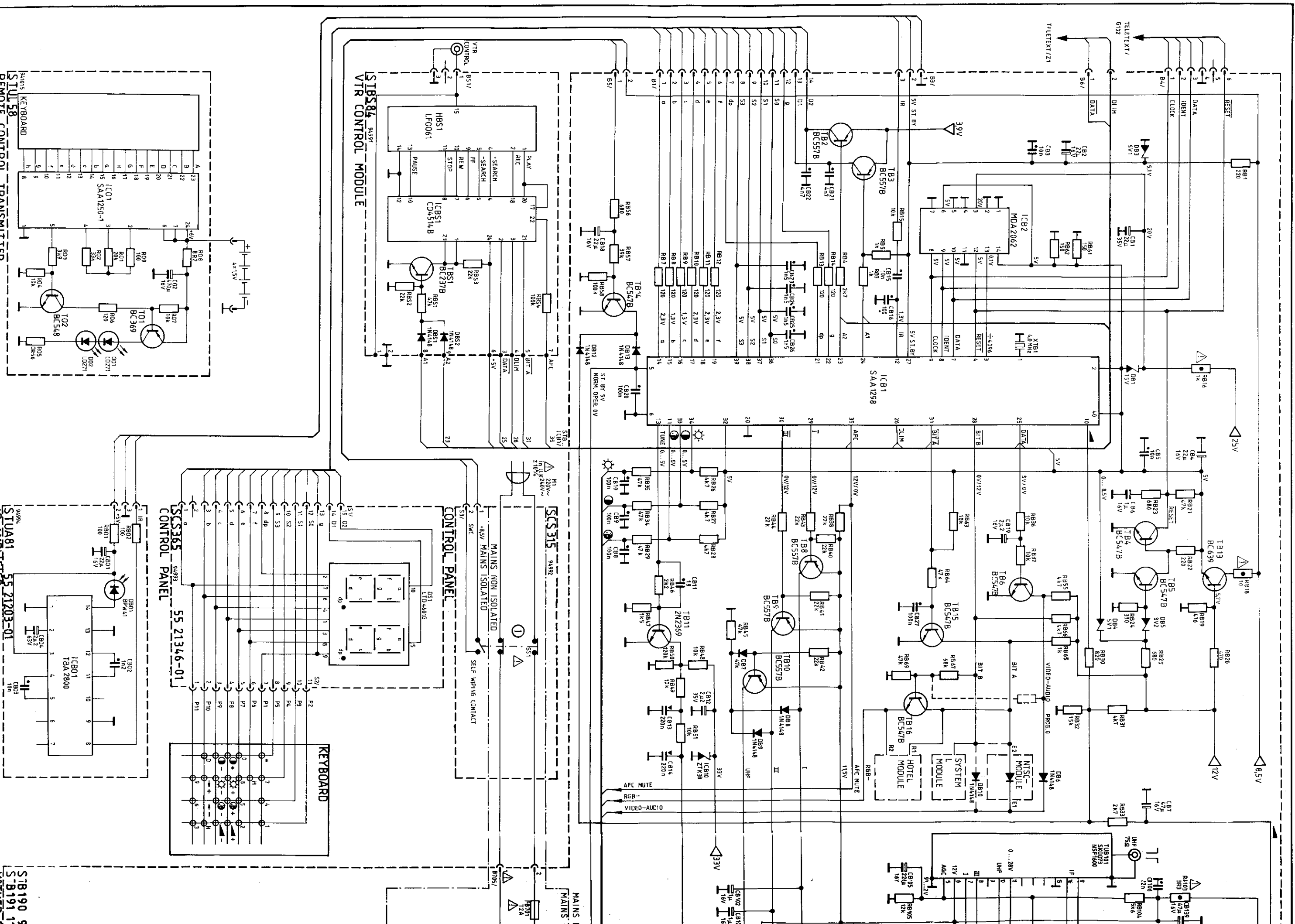




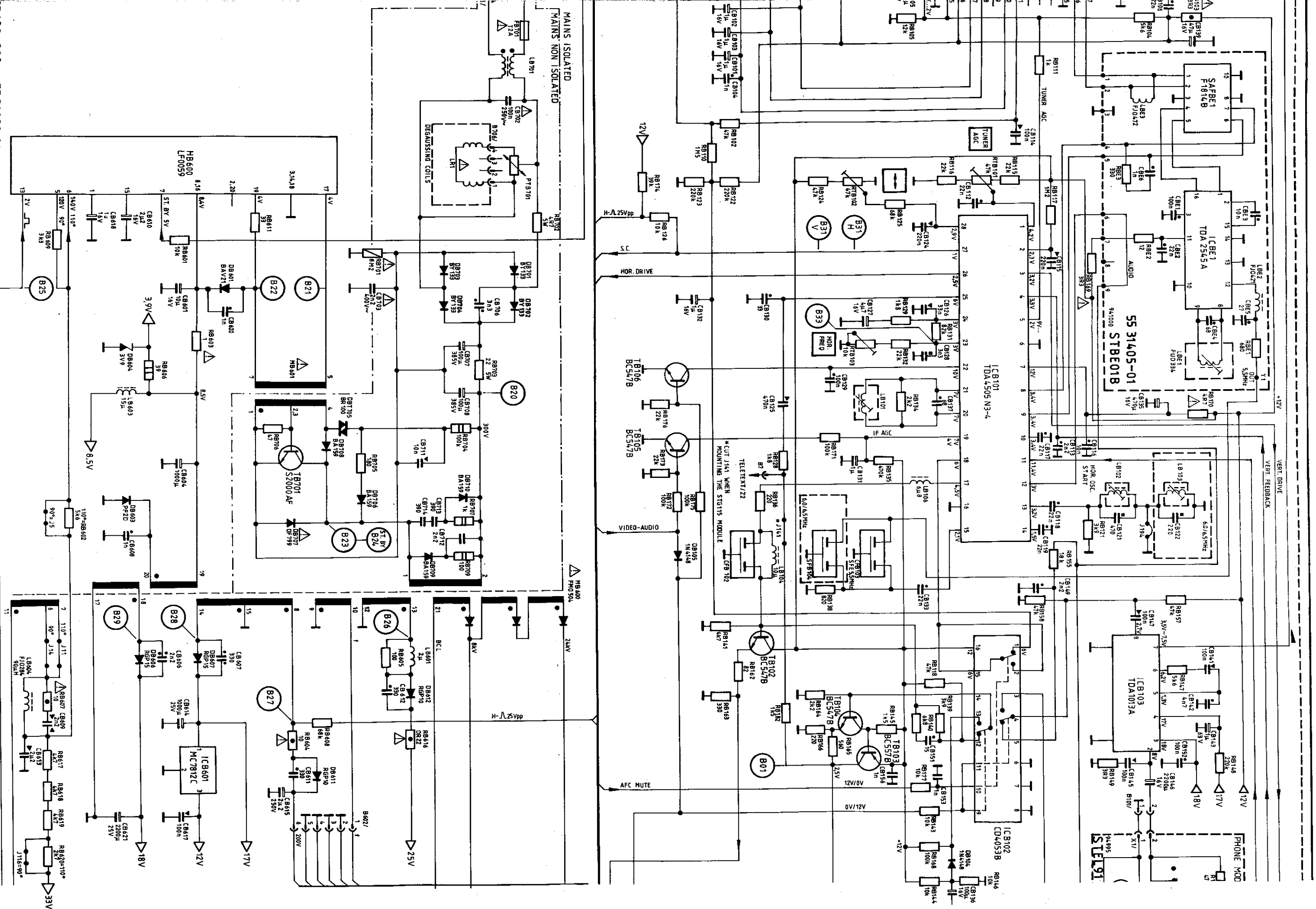
STBX01 55 21321-01

FOR TUBES OF 110°
NEEDING E-W CORRECTION

„VERTE“

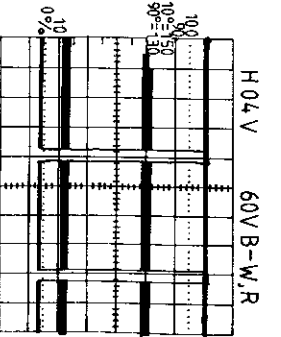
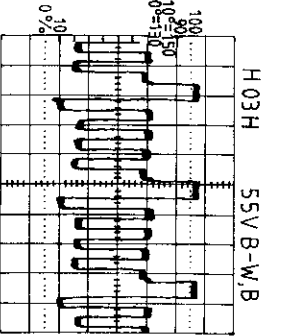
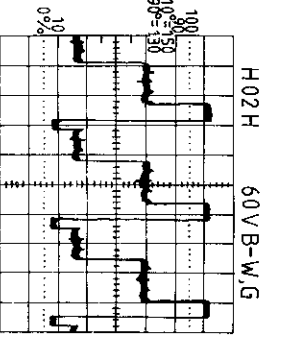
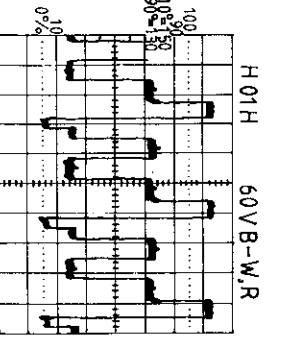
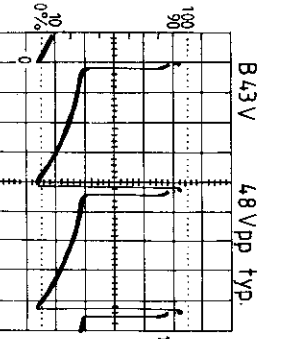
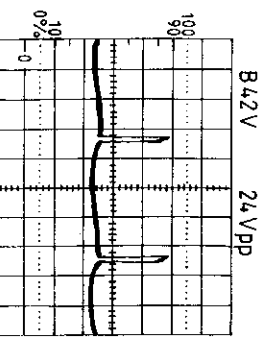
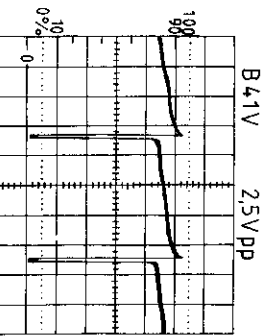
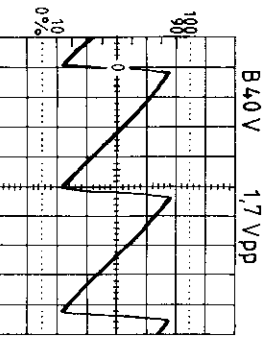
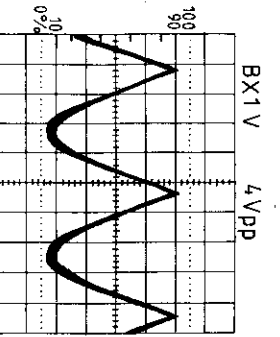
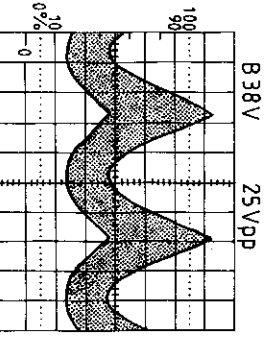
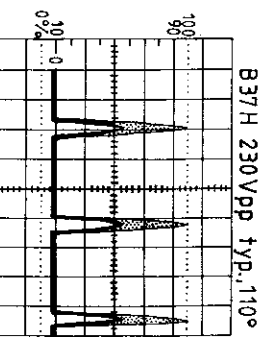
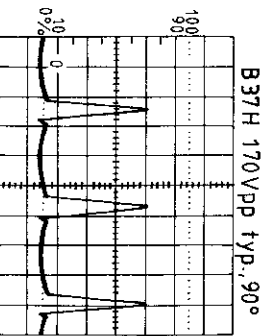
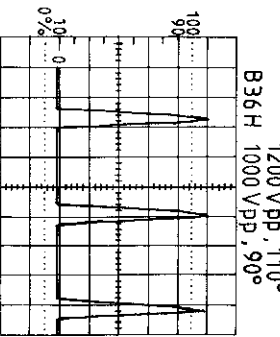
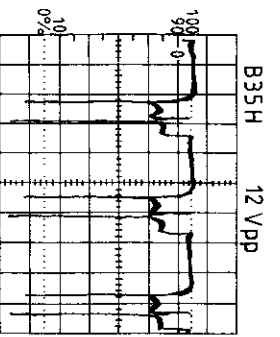
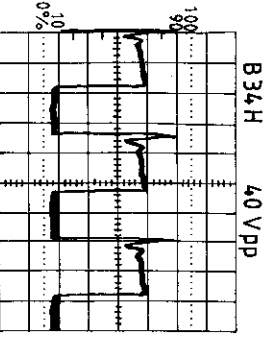
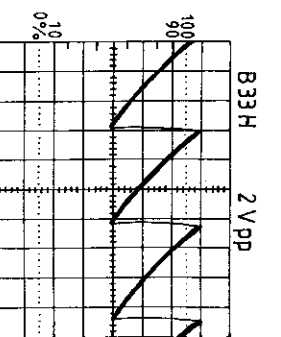
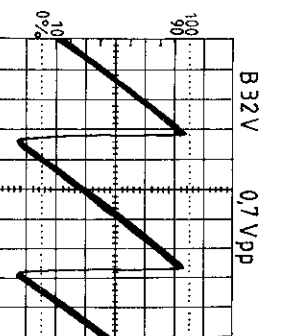
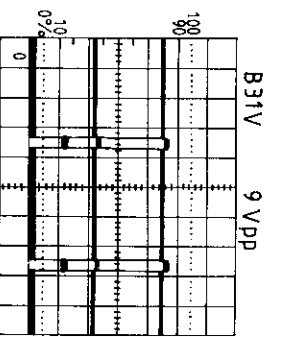
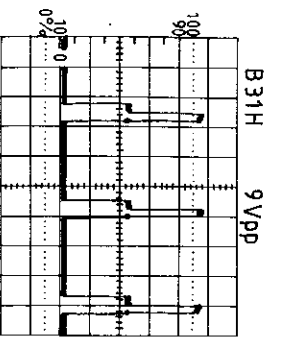
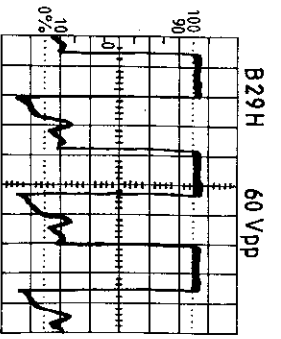
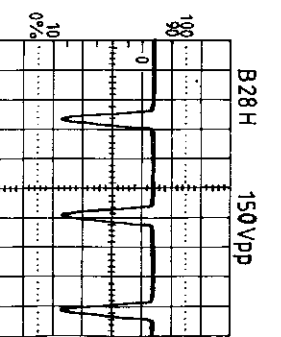
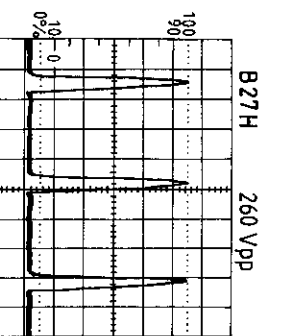
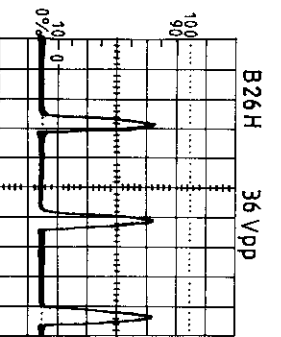
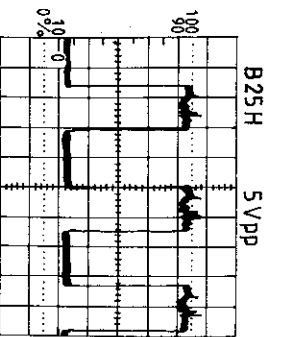
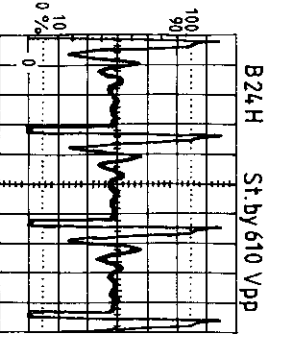
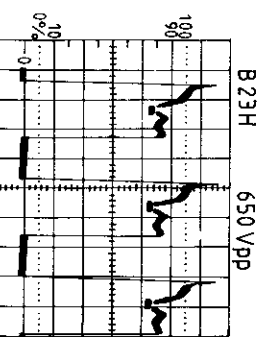
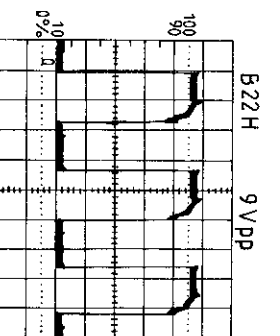
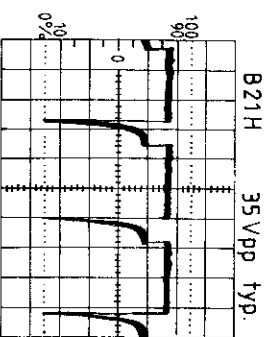
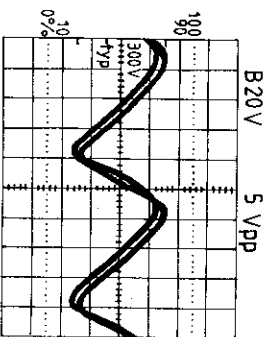
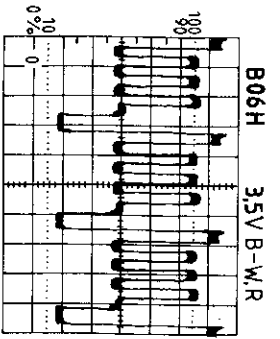
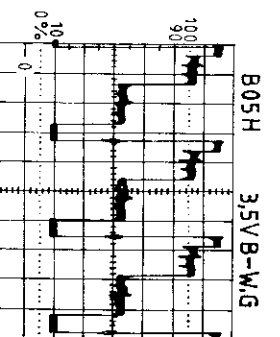
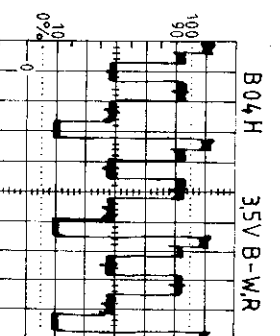
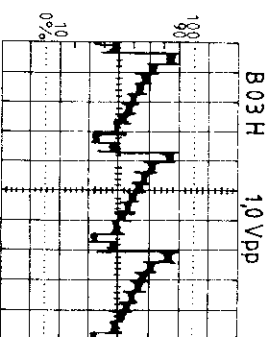
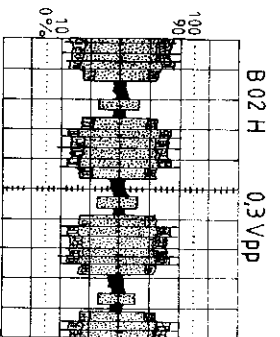
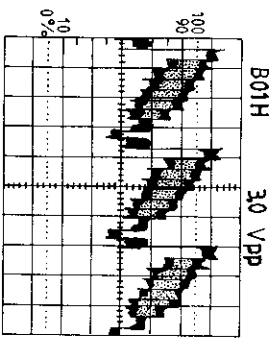


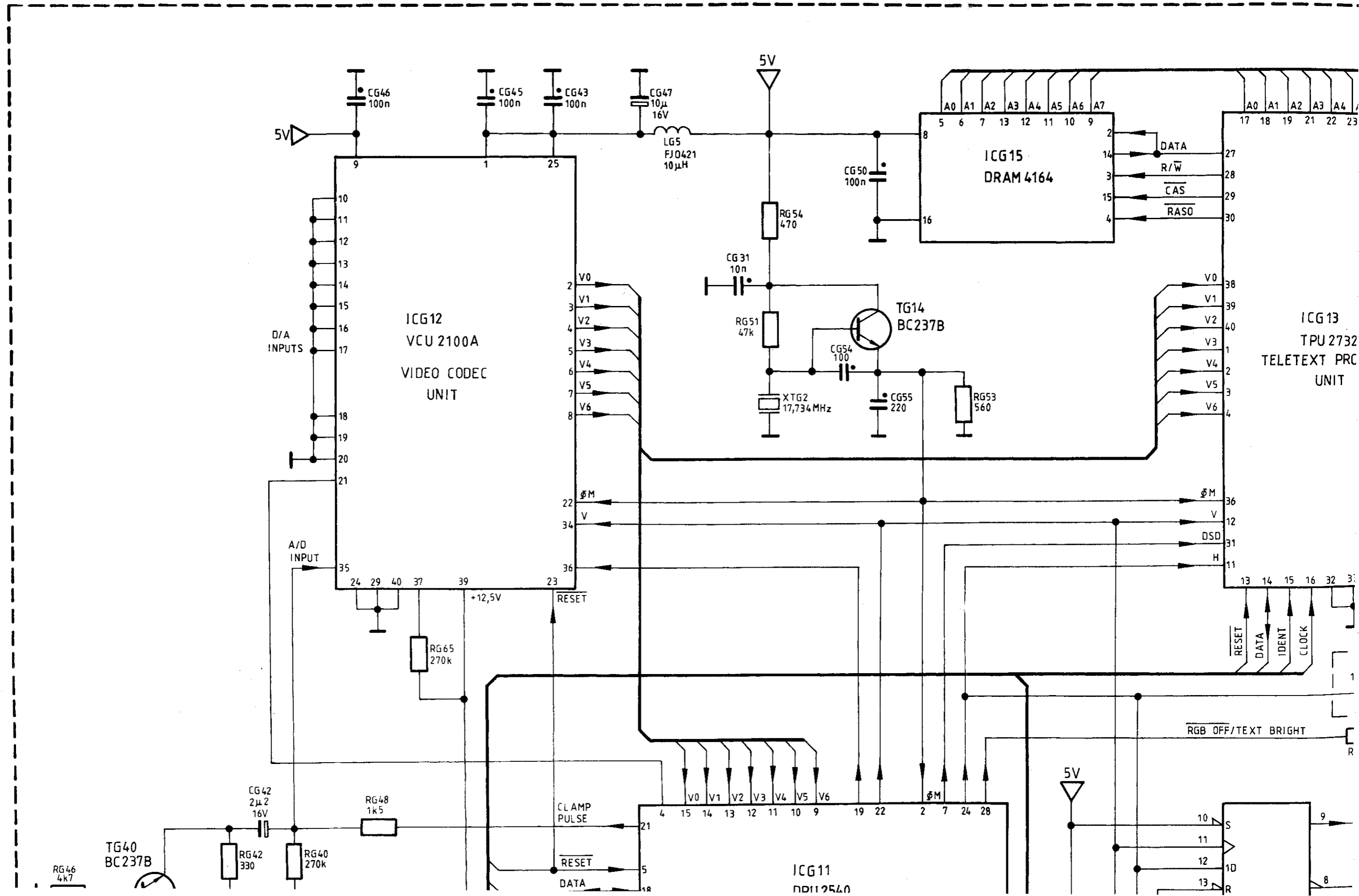
B190 90°
B191 110°
SS 31400-01
SS 31400-12

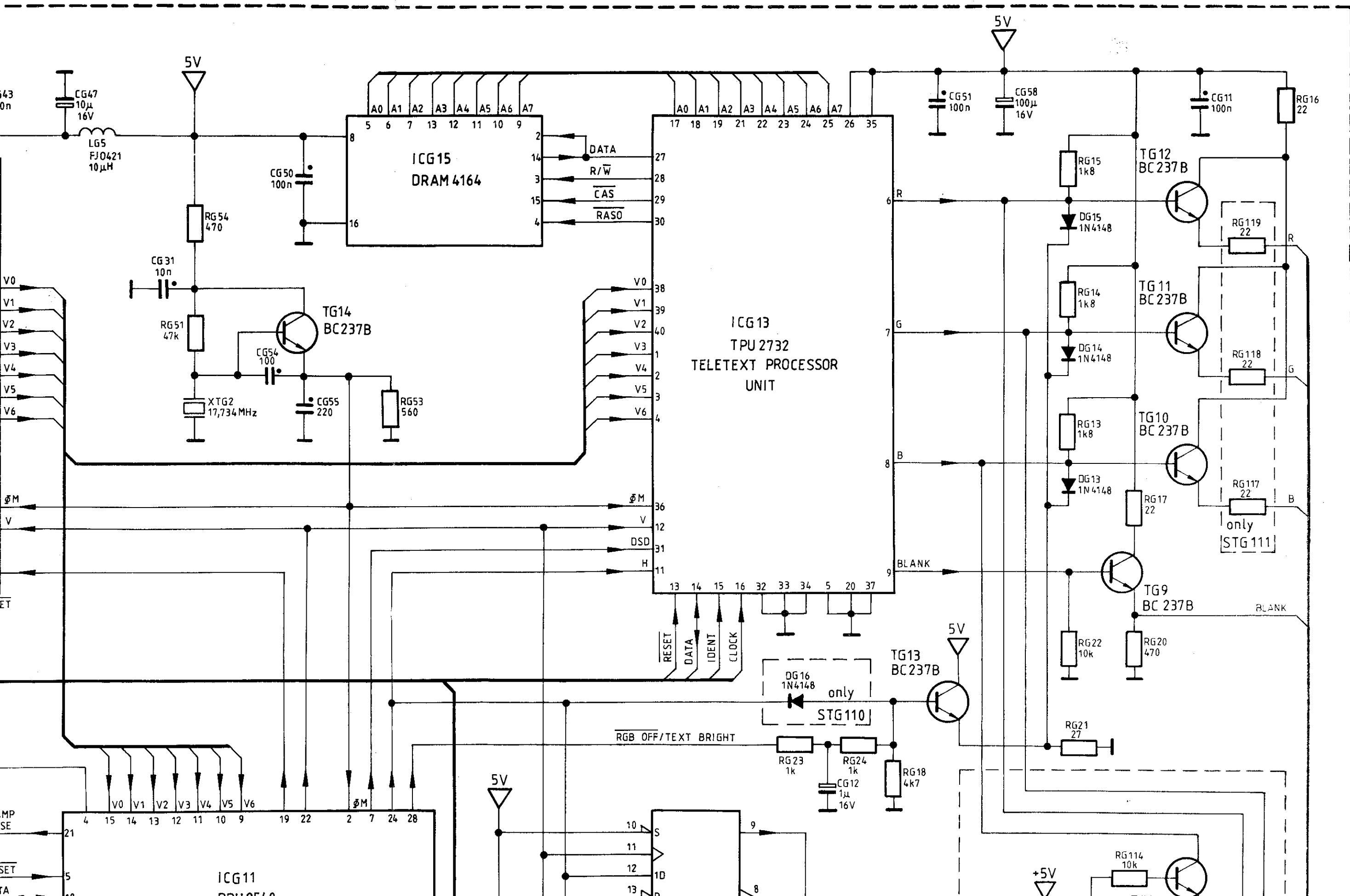


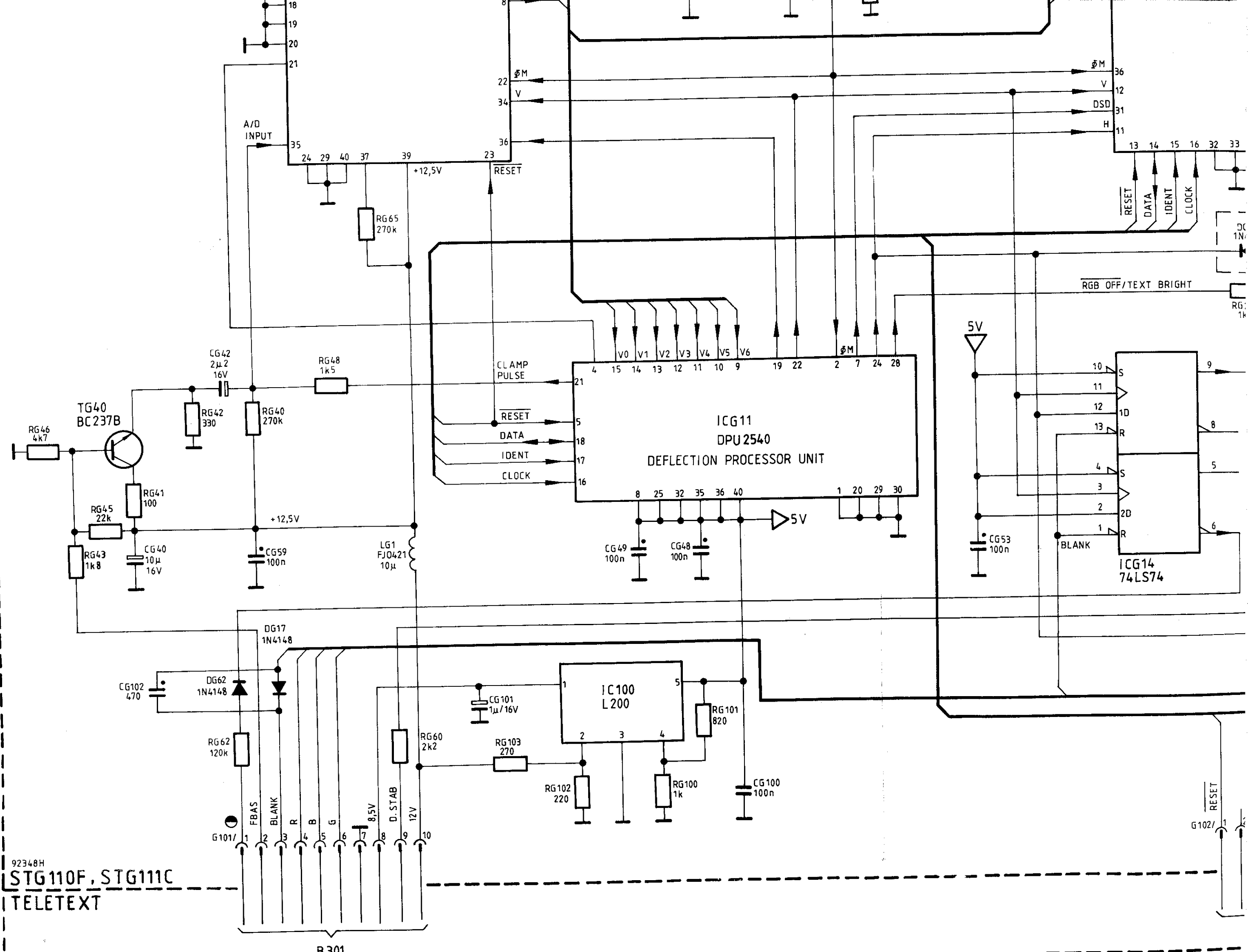
„VERTE“

22
5

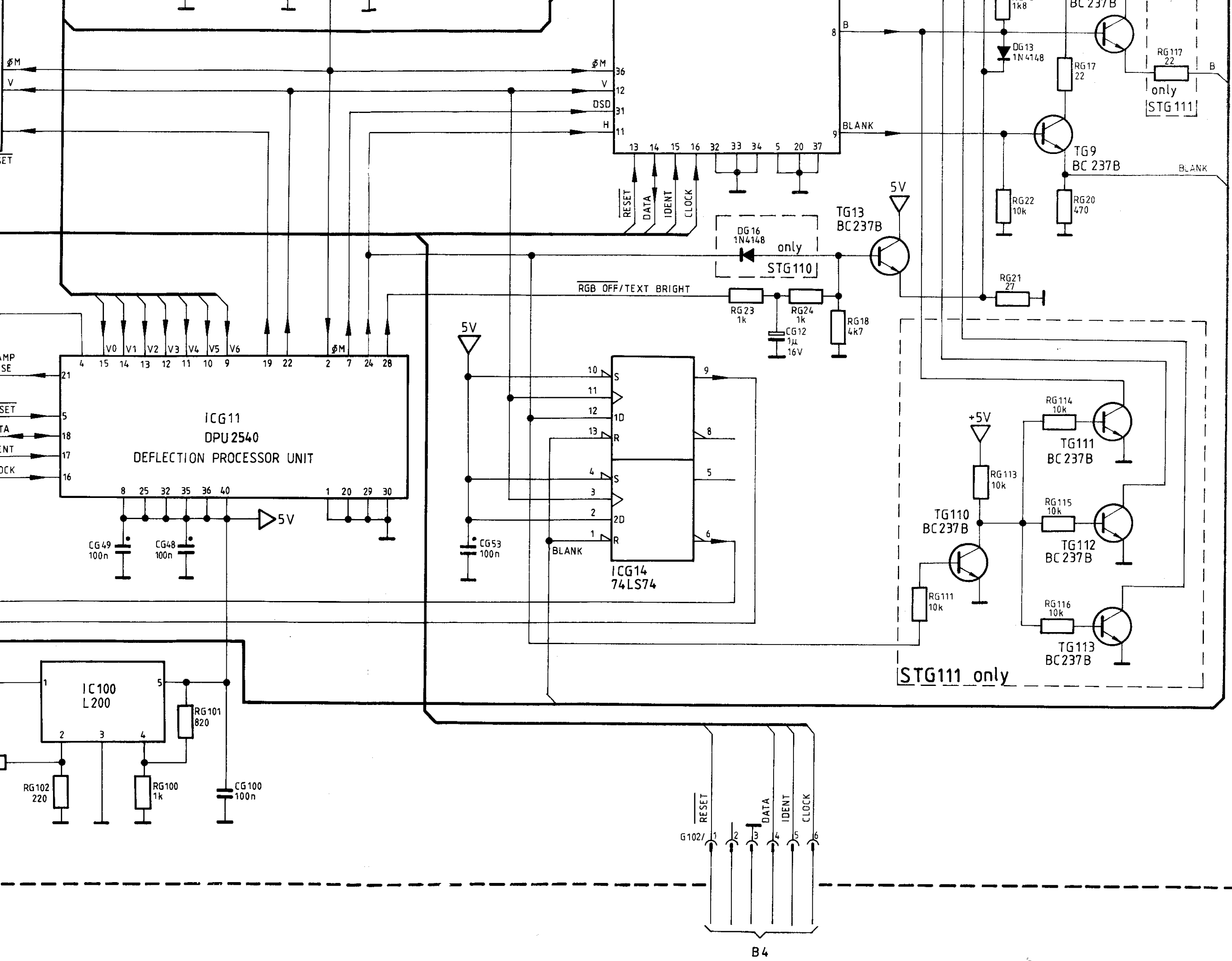


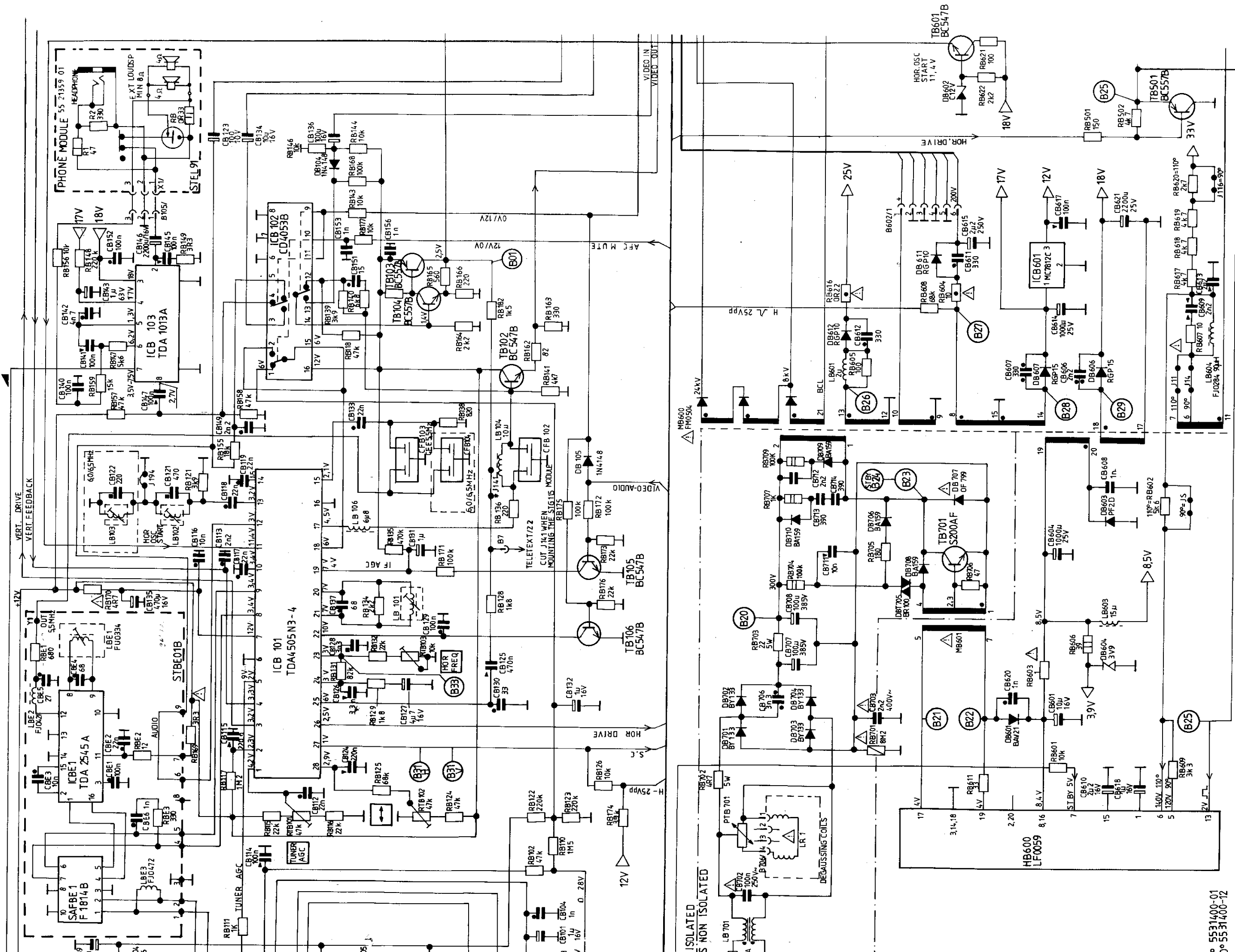


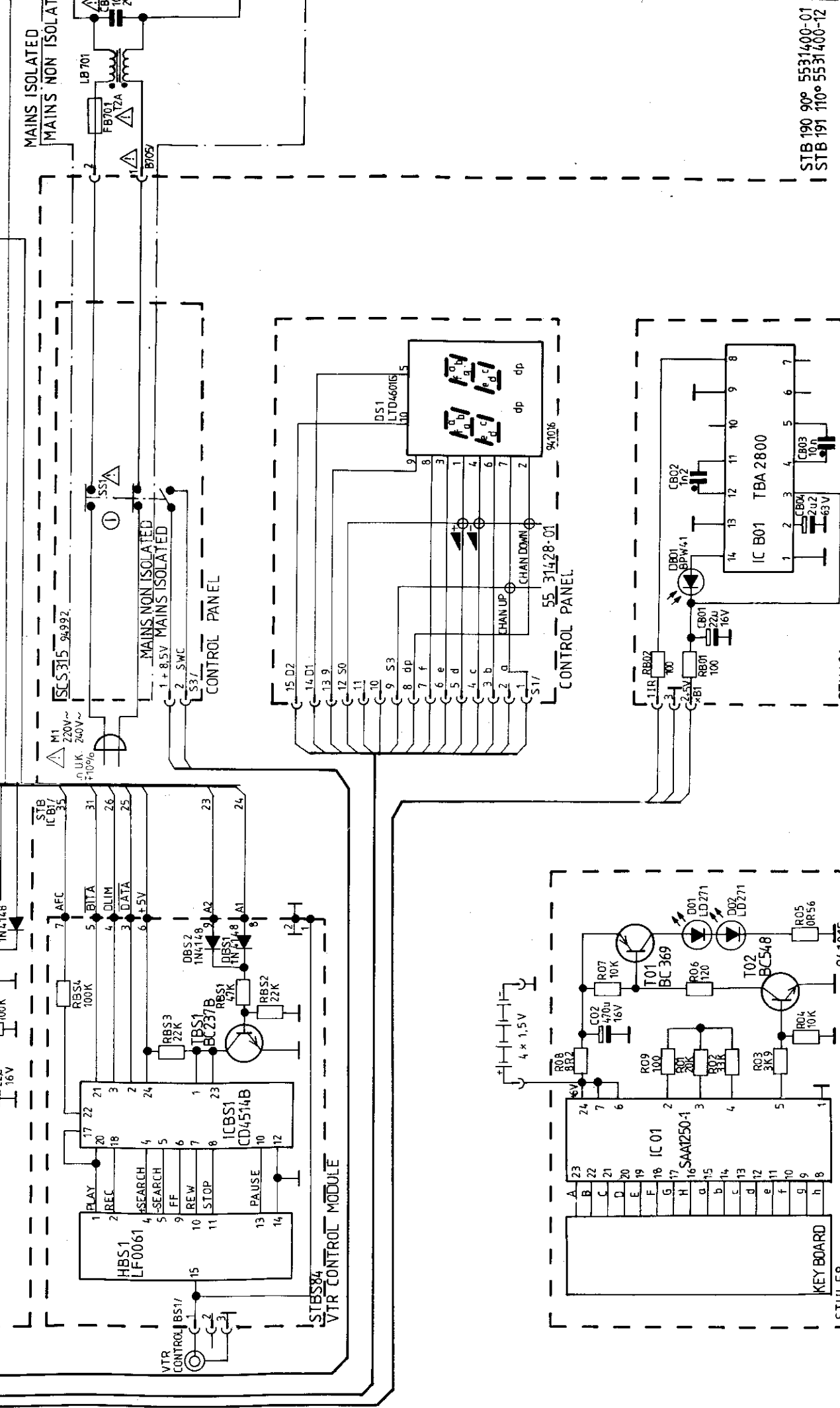
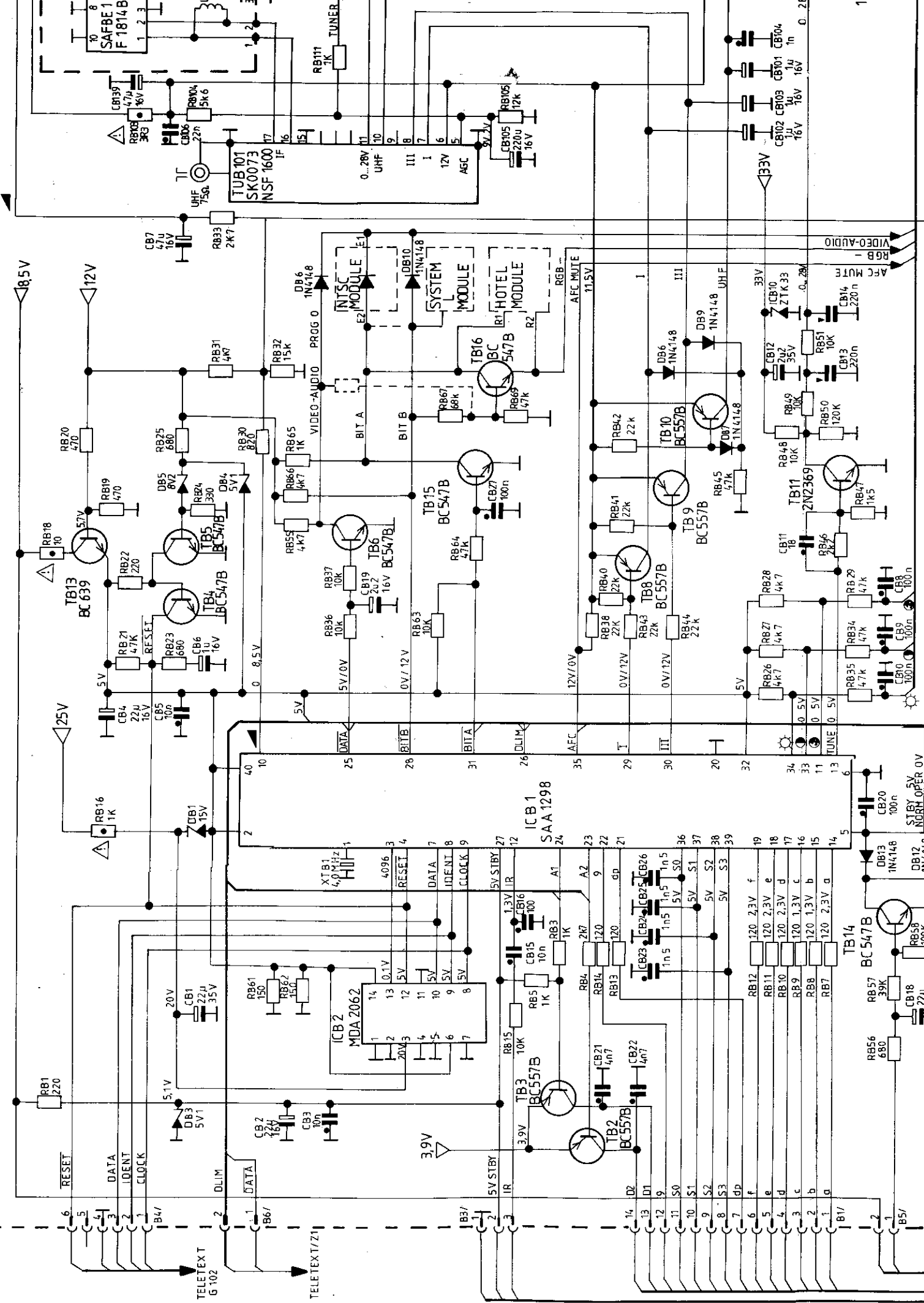




92348H
 STG110F, STG111C
 TELETEXT





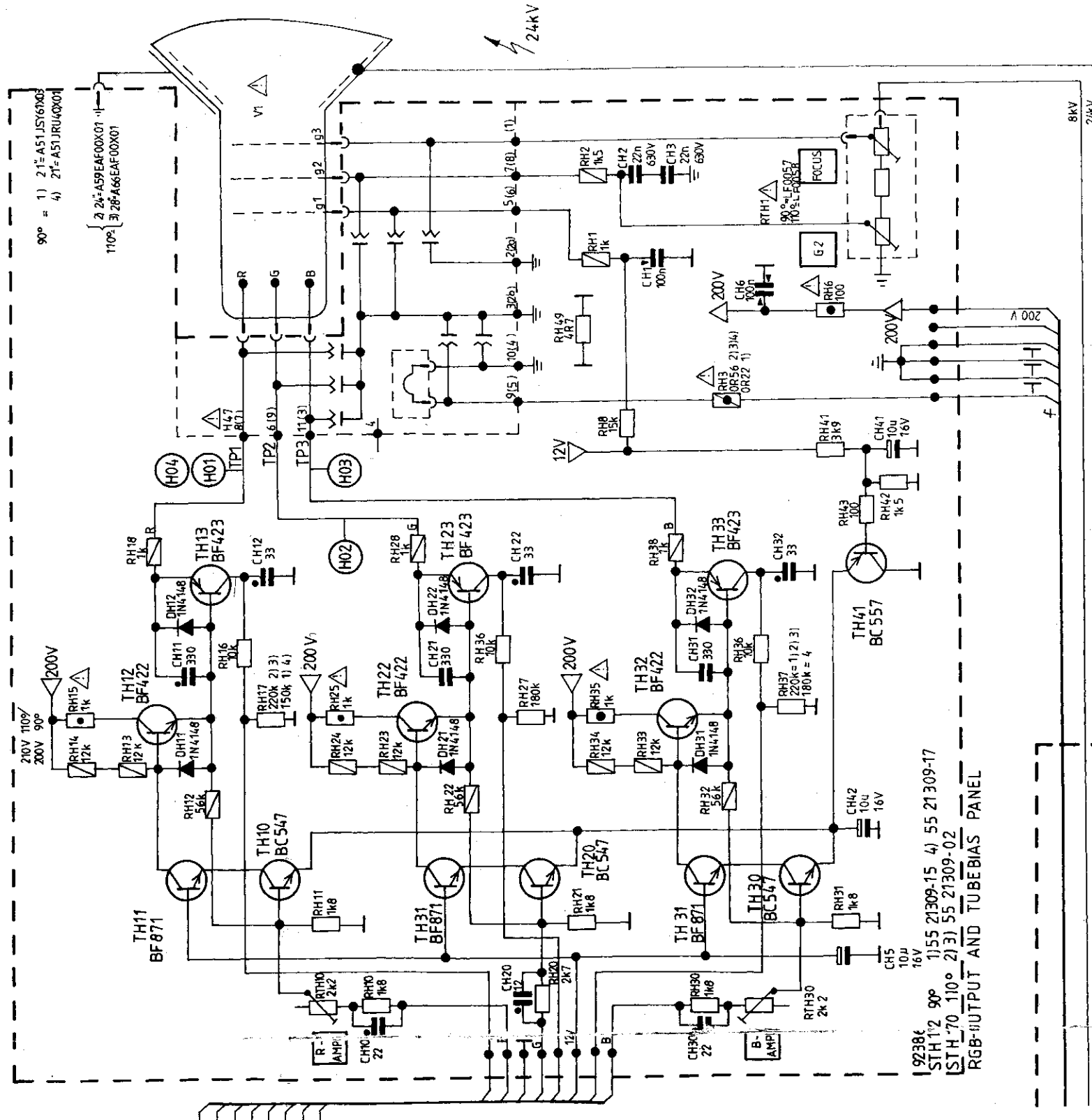


STB 190 90° 5531400-01
 STB 191 110° 5531400-12
 MOTHER BOARD

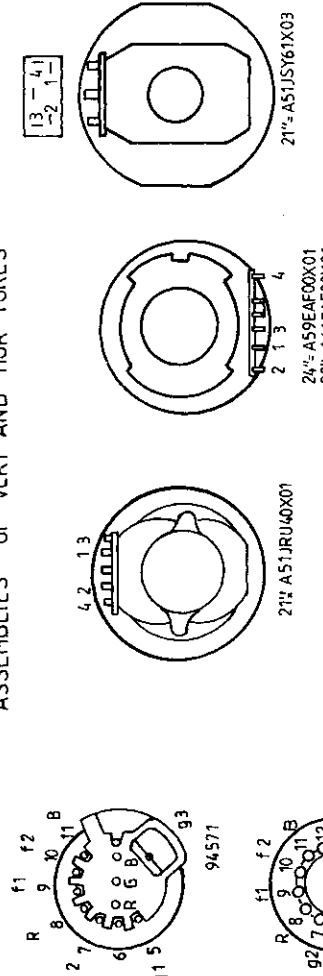
LUXOR

CTV CHASSIS TYPE L-2

180 6379, 6390
7079, 7090



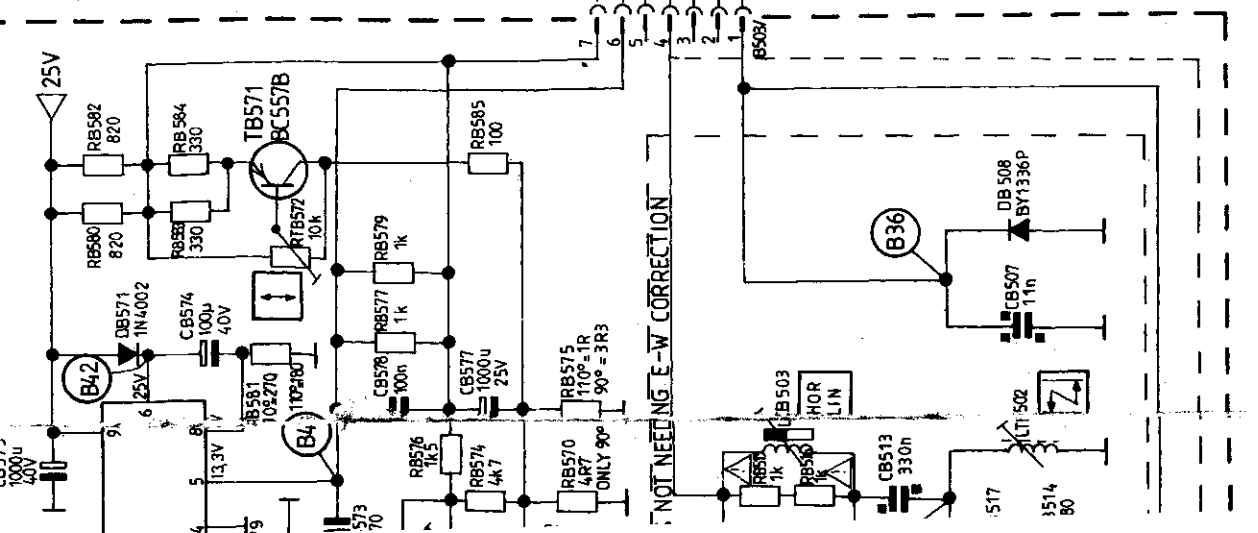
ASSEMBLIES OF VERT AND HOR YOKES



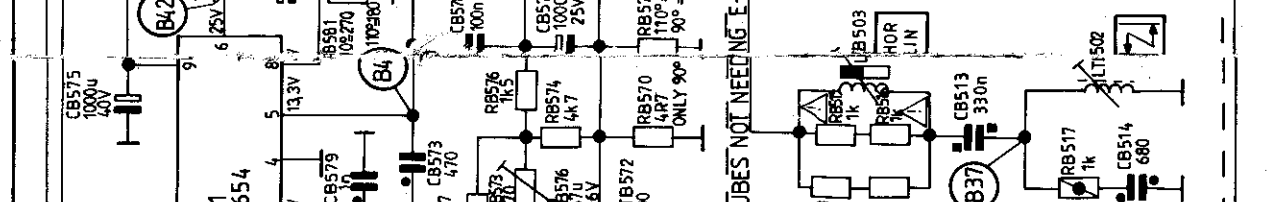
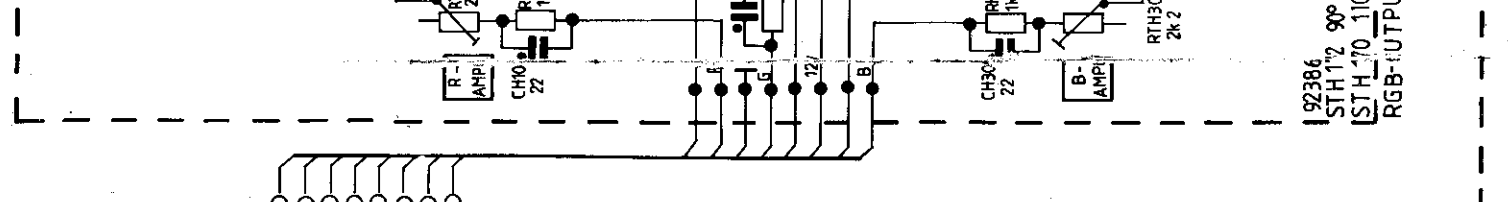
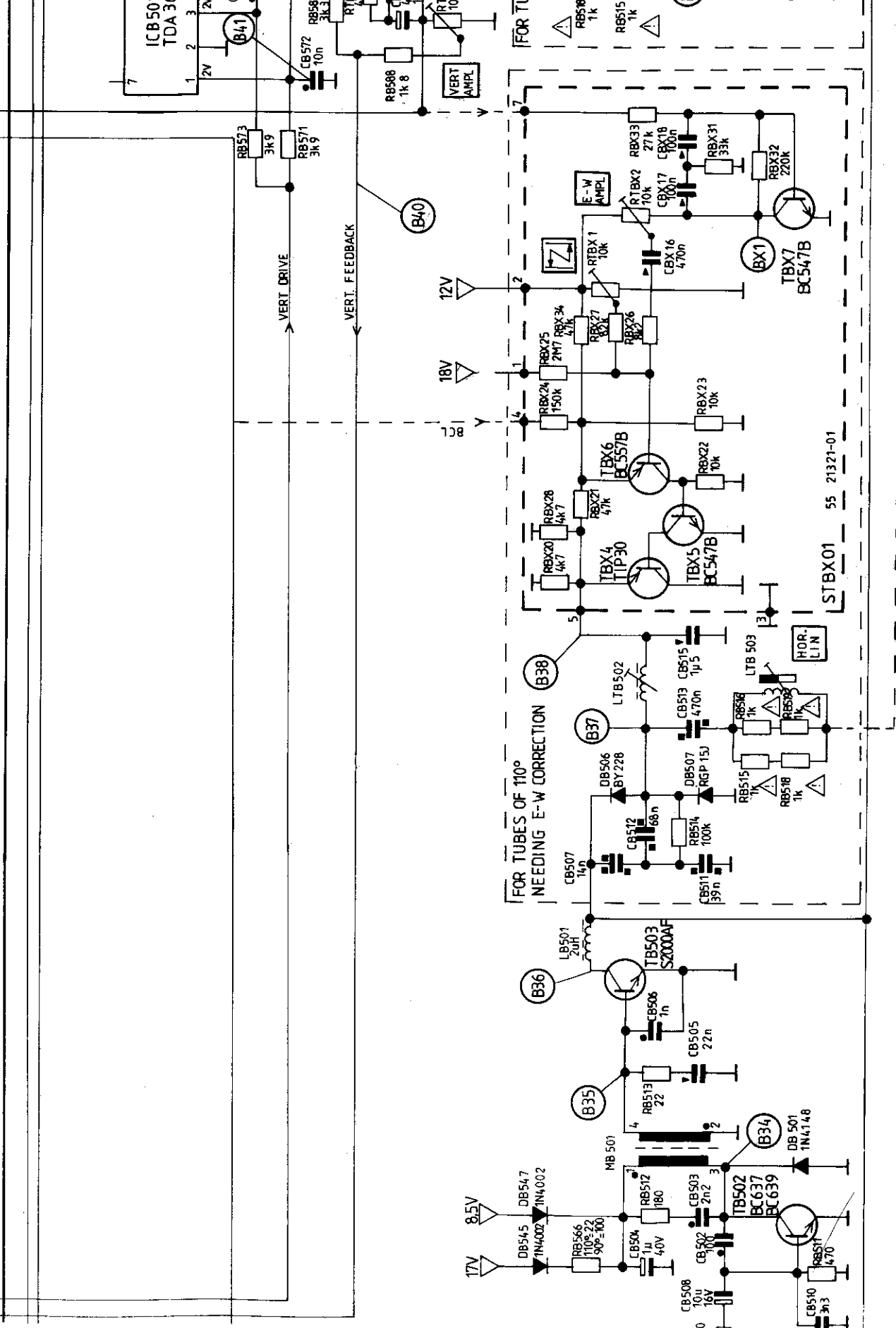
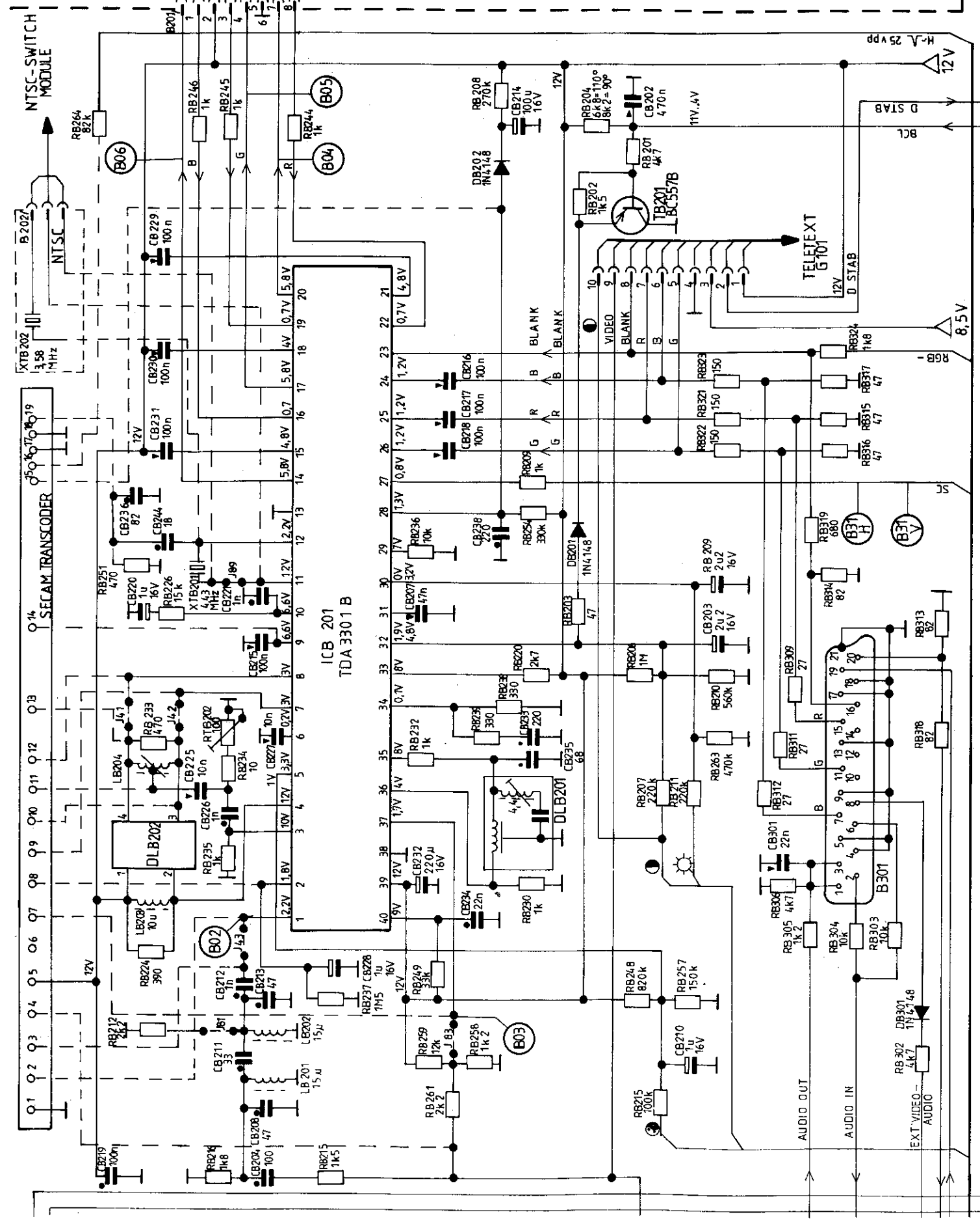
NB. Safety components marked with Δ must be replaced with original or approved components only and must also be mounted as the original. All printed boards and the back cover are also safety components.

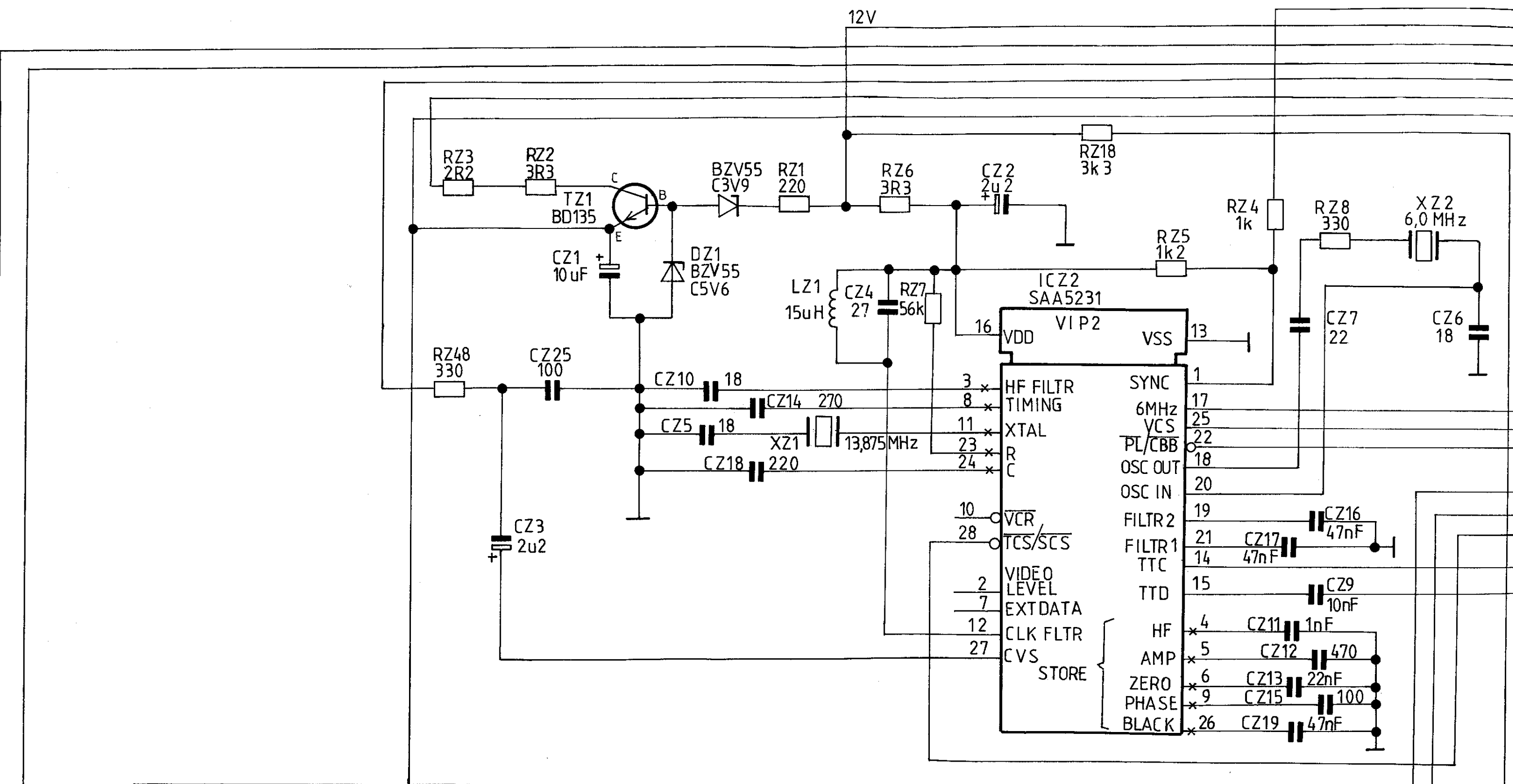
The manufacturer reserves the right to change the design and specification without prior notice or warning.

* M = Metal film resistor
o-o = Take off jumper
o-o = Insert jumper
* = From original source only

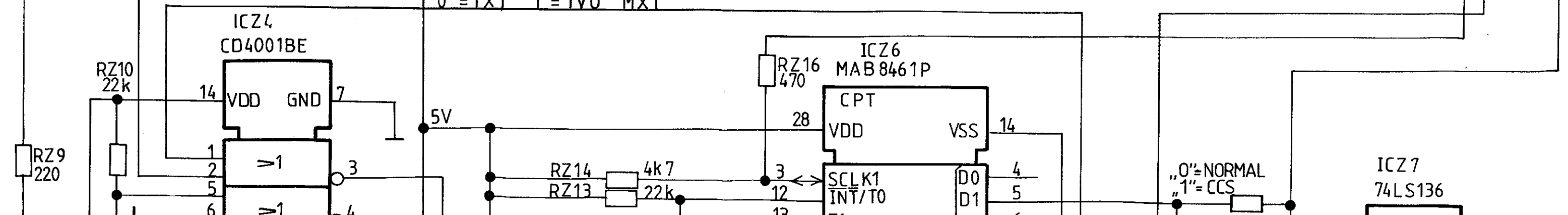


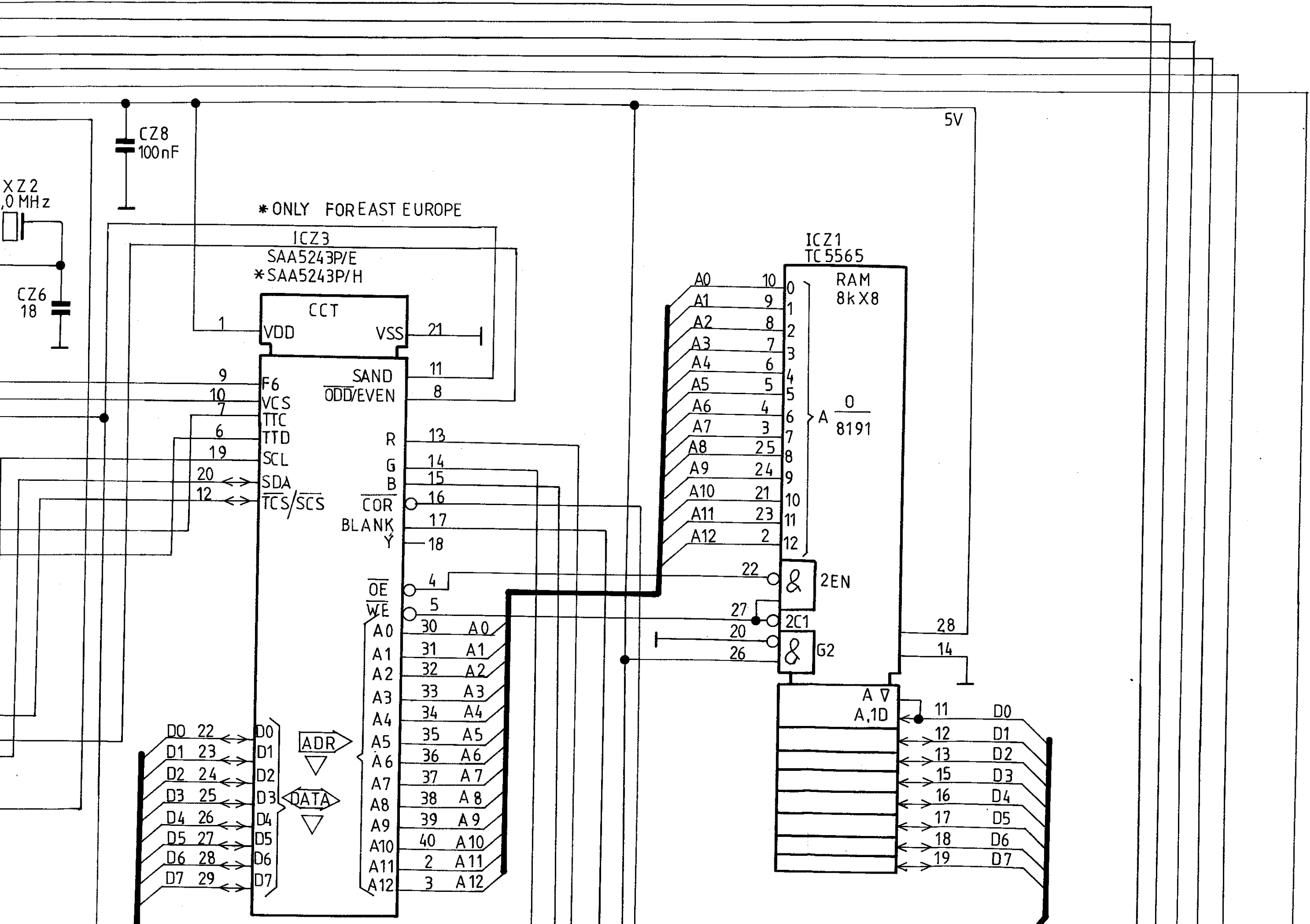
Resistor Type	Power Rating	Voltage Rating	Material	Value
Ceram	$\frac{1}{4}$ W	\leq 63V	Polypropylen	$\frac{1}{2}$ W
Ceram	$\frac{1}{2}$ W	\leq 63V	Polypropylen	1 W
Polyester	$\frac{1}{4}$ W	\leq 100V	Polycarb	1 W
Polyester	$\frac{1}{2}$ W	\leq 100V	Polycarb	1 W
Polyester	1 W	\leq 100V	Polycarb	2 W
Polyester	1 W	\leq 15 kV	Polycarb	1.5 kV
Polyester	1 W	\leq 15 kV	Polycarb	1.5 kV

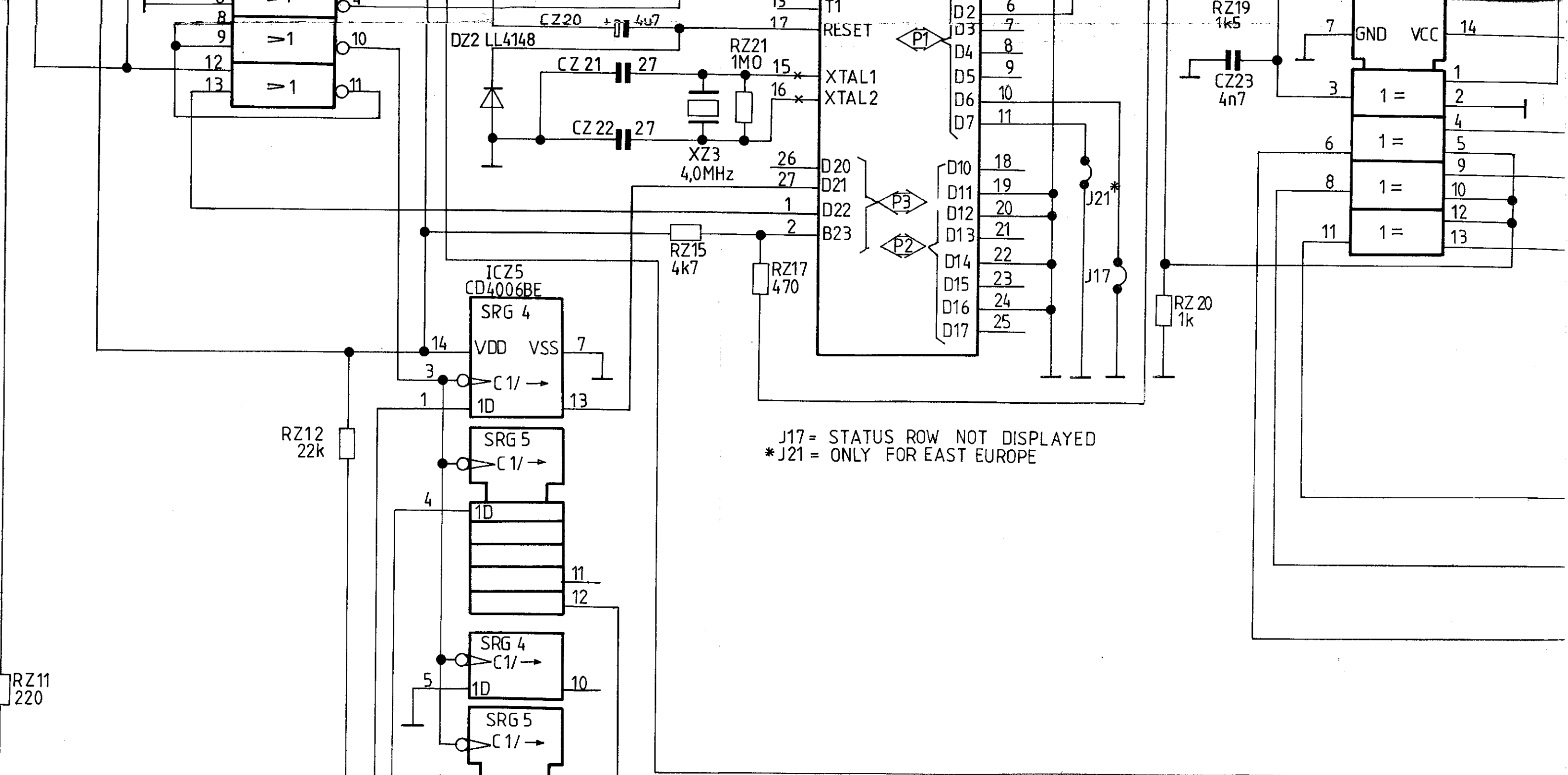




"0"=TXT "1"=TV0 MXT







STG115A/55 31486 02A
 (STG 118/55 31486 08 FOR EAST EUROPE
 FLOF TELETEXT MODULE

