

SONY[®]

BULLETIN

VIDEO

CVM1310AS

RECEIVER-MONITOR

13" TRINITRON COLOUR TV RECEIVER-MONITOR
FOR PAL AND NTSC COLOUR VIEWING



Features

- Monitors picture and sound just recorded from a colour video camera, VTR, U-matic Videocassette recorder or any other video sources incorporating PAL colour system. In addition, it displays not only colour recordings from PAL VTRs, but also both PAL and modified NTSC colour recordings combined with Sony PAL-NTSC or SECAM-PAL-NTSC U-matic colour Videocassette recorder/player.
- Receives off-the-air Australian standards VHF and UHF TV programmes based on the CCIR system B, G and H for viewing and recording.
- Sony's unique Trinitron colour system—1-gun, 3-beam, 1 large electron lens structure, Aperture Grille colour selection method and cylindrical screen present a sharper, brighter picture.

SIMULATED TV PICTURE

- AUTO COLOUR/AFT (Automatic Fine Tuning) switch always tunes the best colour picture automatically on all channels. For personal preference, picture, hue and colour controls are also provided.
- Accommodates UHF (M-type) (for video in/out) and 8-pin (for video in/out and audio in/out) connectors, and minijacks (for audio in/out) for wide versatility of applications. Both connectors can be simultaneously used.
- Compact and lightweight for portability.

CVM1310AS

RESEARCH MAKES THE DIFFERENCE

SONY[®]

CVM1310AS

RECEIVER - MONITOR

Recommended video equipment

U-matic colour Videocassette recorder/player:
VO-1810 (PAL-NTSC), VO-1830 (SECAM-PAL-NTSC)

U-matic colour Videocassette player: VP-1210 (PAL-NTSC),
VP-1230 (SECAM-PAL-NTSC)

Monochrome videocorder: AV-3620CE, AV-3670CE, AV-3420CE

Monochrome video camera: AVC-4600CE, AVC-3250CES/3250CEK

SPECIFICATIONS

Video signal: CCIR 625 lines, 50 fields: EIA 525 lines, 60 fields (Switching of CCIR to EIA or vice versa is automatically done).

Colour system: Video signal: PAL and modified NTSC (subcarrier 4.43 MHz) systems
TV broadcast: PAL system

Channel coverage: Australian TV standards
VHF 0-11 UHF facility

TV signal standards: Australian TV standards (CCIR system B, G and H) in colour and monochrome

Antenna system: External antenna socket for 240 ohm VHF and UHF antennas

Picture tube: 33cm (13-inch), 90° deflection Trinitron picture tube

Speaker: 8x12cm (3 1/8 x 4 3/4"), impedance 8 ohms

Audio output: 1.2W at 10% distortion

Power requirement: 240V 50 Hz

Power consumption: 88W

Dimensions: 505.6(W)x338.5(H)x389.5mm(D)

(19 1/2 x 13 3/16 x 15 5/16")

Weight: 19.5 kg (43lb)

Supplied accessories: Earphone

Monitor connecting cable with 8-pin connectors

VHF telescopic dipole antenna AN 14-E

Optional accessory: UHF parabolic antenna AN 55-E2

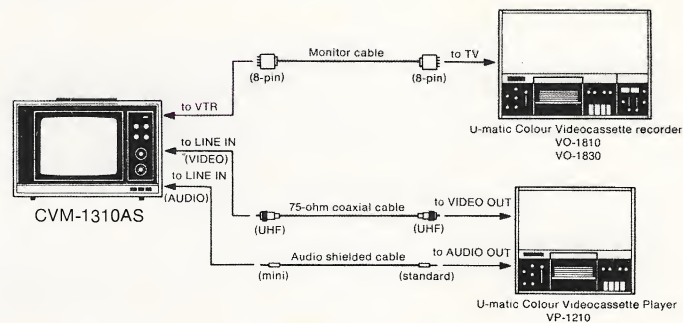
Typical combinations

1. Videocassette viewing—
both PAL and NTSC (modified)
recordings

CVM-1310AS

+

U-matic colour Videocassette
recorder or player

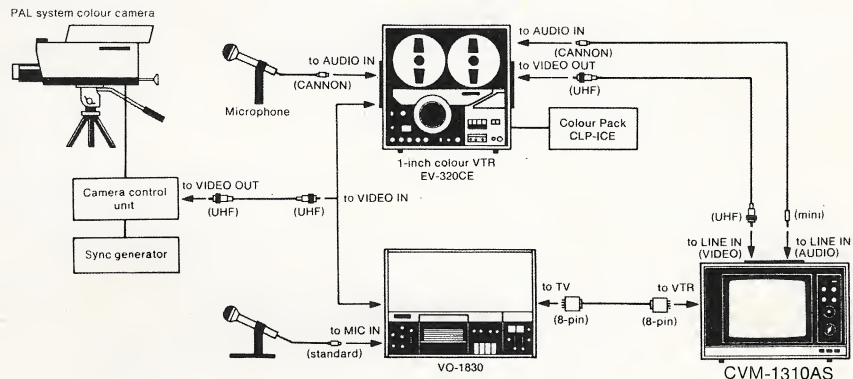


2. Monitoring live sight-
and-sound recording

CVM-1310AS

+

VTR or U-matic colour
Videocassette recorder
+
Colour camera

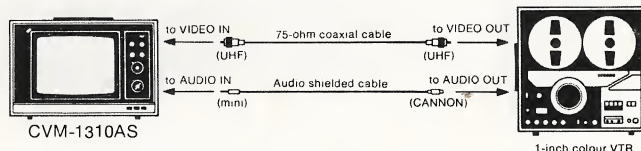


3. Recorded tape viewing—
PAL recording only

CVM-1310AS

+

Colour VTR



4. TV programme recording

CVM-1310AS

+

VTR or U-matic colour
Videocassette recorder

