

Zenith Radio Corp.

Model: 4K515

Chassis:

Year: Pre April 1941

Power:

Circuit:

IF:

Tubes:

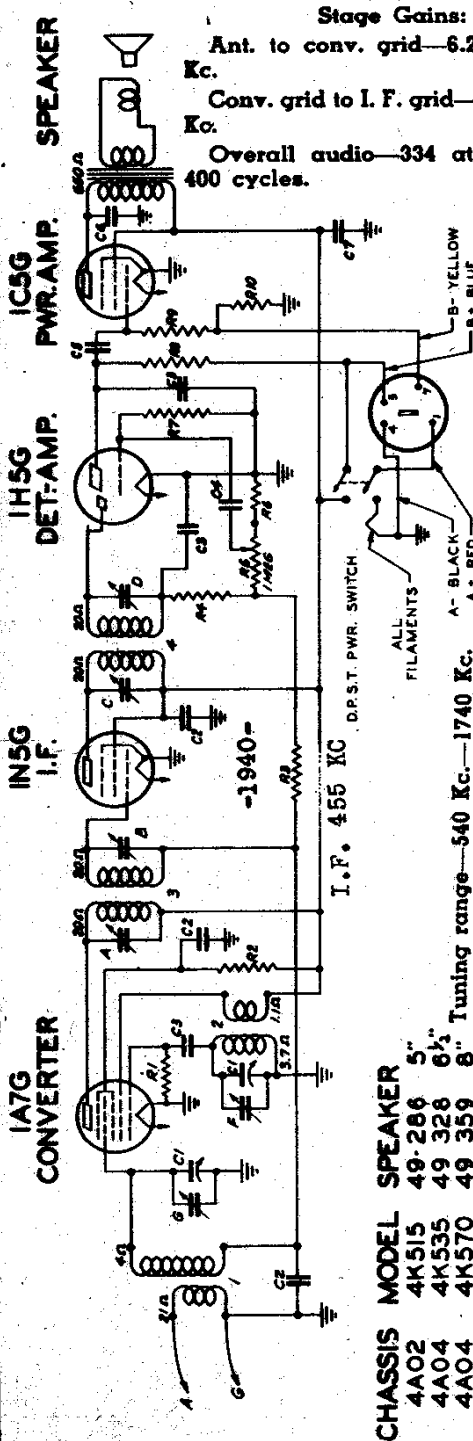
Bands:

Resources

Riders Volume 12 - ZENITH 12-2

MODEL 4K515, Ch. 4A02
 MODELS 4K535, 4K570,
 Ch. 4A04

ZENITH RADIO CORP.



Stage Gains:
 Ant. to conv. grid—6.2× at 1000 Kc.
 Conv. grid to I. F. grid—56× at 455 Kc.
 Overall audio—334 at .050 watt, 400 cycles.

NOTE
 Chassis 4A02—attached speaker.
 Chassis 4A04—remote speaker.

All voltages measured with a 1000 ohm per volt meter from chassis to socket contacts using a fresh Z38 battery pack.

- CHASSIS MODEL SPEAKER**
- 4A02 4K515 49-286 5"
 - 4A04 4K535 49-328 6 1/2"
 - 4A04 4K570 49-359 8"

DIAG. PART. NO.	PART. NO.	DESCRIPTION	DIAG. PART. NO.	DESCRIPTION
C1	22-695	170 OHM VARIABLE	4	95-590 SUP. I.F. TRANS. ASSEM.
C2	22-695	200 MFD.	4	1ET I.F. TRANS. PRI.
C3	22-162	500 MFD.	4	1ET I.F. TRANS. SEC.
C4	22-586	500 MFD.	4	2ND I.F. TRANS. PRI.
C5	22-261	50 MFD.	4	2ND I.F. TRANS. SEC.
C6	22-449	50 MFD.	4	500 OHM OSC. (ON GANG)
C7	22-684	8 MFD. ELECTROLYTIC	4	ANT. BOOSTER (ON GANG)
R1	63-654	180M OHM	1	20-200 ANTENNA COIL
R2	63-594	60M OHM	1	5-7R15 OSCILLATOR COIL ASSEMB.
R3	63-689	3.3 MEGOHM	1	1ET I.F. TRANS. ASSEM.

I.F. ALIGNMENT CONVENTIONAL
 TRIM OSC(F) 1500 KC.
 TRIM ANT(G) 1400 KC

