

Zenith Radio Corp.

Model: 4K329

Chassis:

Year: Pre August 1939

Power:

Circuit:

IF:

Tubes:

Bands:

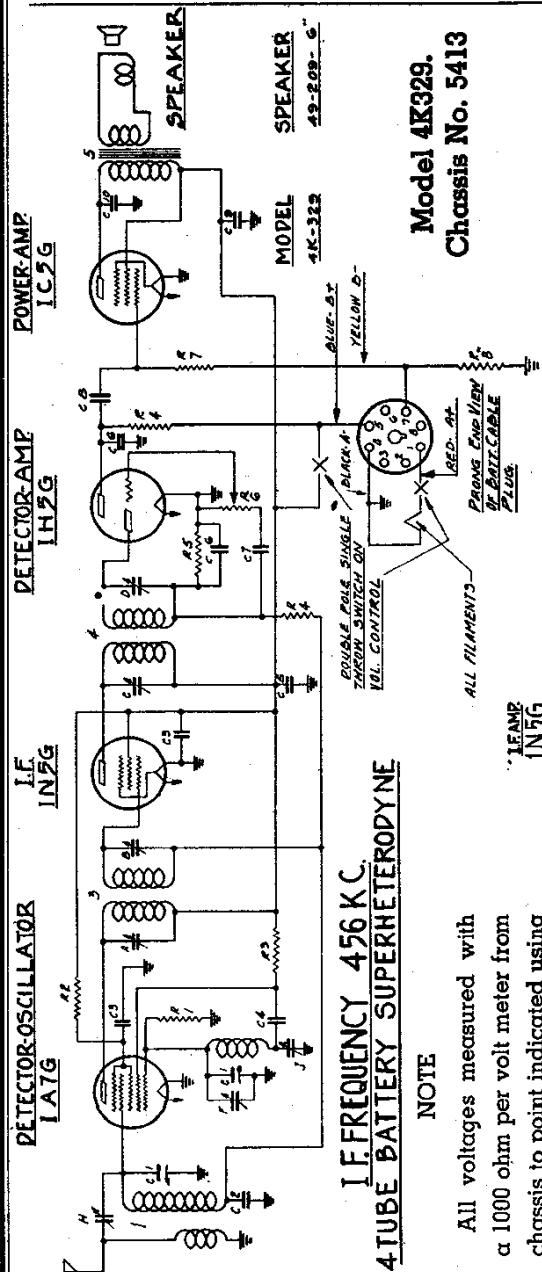
Resources

Riders Volume 10 - ZENITH 10-6

MODEL 4K329, Chas. 5413
Schematic, Voltage
Alignment, Socket
Trimmers

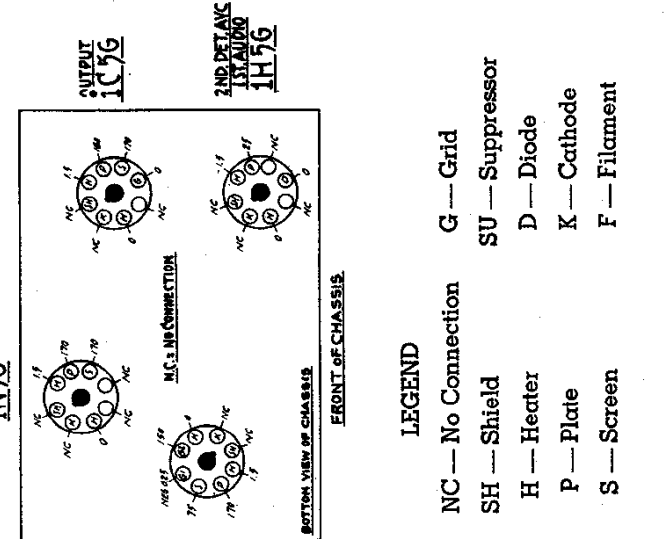
ZENITH RADIO CORP. ALIGNMENT PROCEDURE

Operation	Connect Test Oscillator to—	Dummy Antenna	Set Test Osc. to	Band	Set Dial At	Adjust Trimmers	Purpose
1	1st Det. Grid	½ Mfd.	456	Br'dc't	600	ABCD	I. F. Algm't.
2	Rec. Ant. Lead	200 Mmfd.	1500	"	1500	F	Set Osc. to Scale
3	" " "	200 Mmfd.	1500	"	1500	G	Algm't of Ant.
4	" " "	200 Mmfd.	600	"	600	J	Rock gang & adj. for max. output
5	" " "	200 Mmfd.	1500	"	1500	FG	Rpt. 3 & 4



**Model 4K329.
Chassis No. 5413**

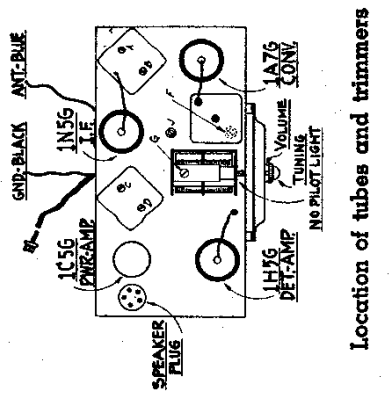
PART NO.	DESCRIPTION
C-1	2ND GANG VARIABLE
C-2	22-250 .05 MFD
C-3	22-159 .05 MFD
C-4	22-358 .002 MFD
C-5	22-212 .05 MFD
C-6	22-162 .0001 MFD
C-7	22-327 .02 MFD
C-8	22-158 .02 MFD
C-9	22-884 8 MFD ELECTROLYTIC
C-10	22-482 .005 MFD
R-1	63-327 150M OHM
R-2	63-996 68M OHM
R-3	63-690 560 OHM
R-4	63-271 1 MEGOHM
R-5	63-898 390 M OHM
R-6	63-568 1 MEGOHM VOL CONTROL
R-7	63-600 22 MEGOHM
R-8	63-336 1000 OHM
1	53-109 ANTENNA COIL ASSEMBLY
2	53-100 ANT. COIL & SHIELD ASSEM.
3	54-688 OSCILLATOR PUL ASSEM.
4	55-470 17. 1 K TRANSFORMER
5	53-420 SPEAKER TRIMS (ON SPEAKER.)
A	117. 1 K TRANS. ADJ.
B	157. 1 K TRANS. SEC.
C	2ND 1 K TRANS. PRI.
D	2ND 1 K TRANS. SEC.
F	BROADCAST OSCILLATOR
H	ANTENNA BRACKET
J	OSCILLATOR PADLOCK



**I.F. FREQUENCY 456 KC.
4 TUBE BATTERY SUPERHETERODYNE**

NOTE
All voltages measured with a 1000 ohm per volt meter from chassis to point indicated using a Z28 battery pack.

Antenna disconnected — vol. control at minimum and condenser plates in full mesh.



Location of tubes and trimmers