

## Zenith Radio Corp.

**Model:** 4B437

**Chassis:**

**Year:** Pre June 1940

**Power:**

**Circuit:**

**IF:**

**Tubes:**

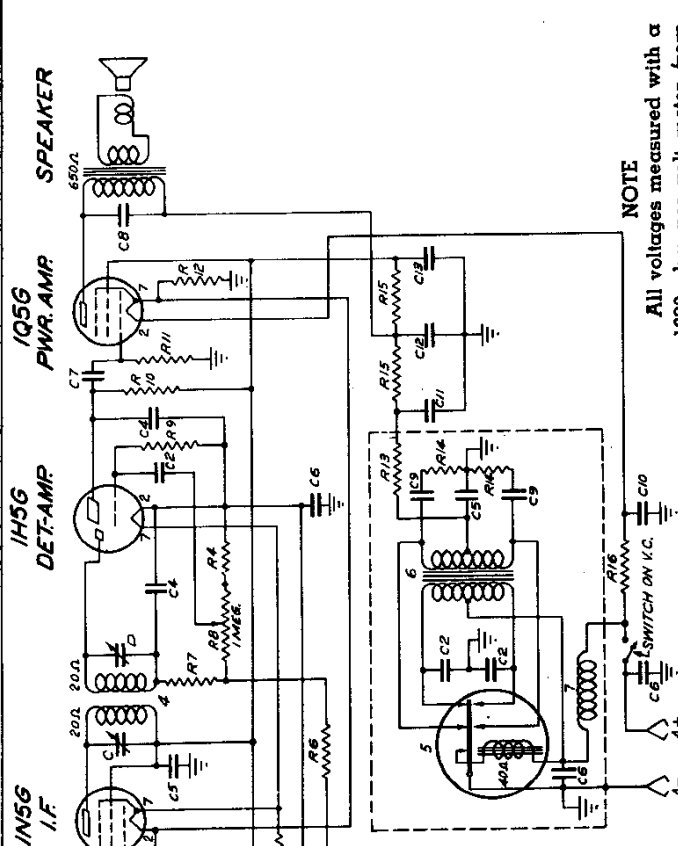
**Bands:**

Resources

**Riders Volume 11 - ZENITH 11-1**

ZENITH RADIO CORP.

MODELS 4B422, 4B466, 4B468  
 Chassis 5417 4B437  
 Schematic, Socket, Voltage  
 Trimmers



**NOTE**  
 All voltages measured with a 1000 ohm per volt meter from chassis to socket contacts.  
 Voltage readings are all positive D.C. unless otherwise indicated.

Antenna disconnected volume control full on.  
 Battery voltage 6 volt.  
 Battery consumption — .4 ampere.

FOR ALIGNMENT  
 SEE INDEX

- MODEL SPEAKER**
- 4B422 49-345 5"
  - 4B437 49-328 6 1/2"
  - 4B466 49-342 10"
  - 4B468 49-359 8"

QWG PART NO.	PART NO.	DESCRIPTION	QWG PART NO.	DESCRIPTION	QWG PART NO.	DESCRIPTION		
C1	22-695	THRU GANG VARIABLE	R2	63-595	100M OHM	1	20-208	ANTENNA COIL ASSEMBLY
C2	22-026	0.1 MFD.	R3	63-595	1000 OHM	2	3-630	OSCILLATOR COIL ASSEMBLY
C3	22-026	0.1 MFD.	R4	63-283	1000 OHM	3	95-599	1ST I.F. TRANS.
C4	22-026	0.001 MFD.	R5	63-298	1000 OHM	4	95-590	2ND I.F. TRANS.
C5	22-026	0.05 MFD.	R6	63-663	39 MEGOHM	5	180-17	VIBRATOR
C6	22-189	0.5 MFD.	R7	63-593	27M OHM	6	95-635	POWER TRANSFORMER
C7	22-943	0.1 MFD.	R8	63-1079	VOLUME CONTROL	7	S-5043	CHOKES ASSEMBLY
C8	22-448	0.04 MFD.	R9	63-604	10 MEGOHM			
C9	22-448	0.04 MFD.	R10	63-271	1 MEGOHM	A		1ST I.F. TRANS. PRI.
C10	22-966	100 MFD. ELECTROLYTIC	R11	63-271	1 MEGOHM	B		1ST I.F. TRANS. SEC.
C11	22-381	100 MFD. ELECTROLYTIC	R12	63-590	50 OHM WIREWOUND	C		2ND I.F. TRANS. PRI.
C12	22-742	10 MFD.	R13	63-577	100 OHM	D		2ND I.F. TRANS. SEC.
C13	10 MFD.		R14	63-605	1000 OHM	E		500 OHM WIREWOUND
			R15	63-605	1000 OHM	F		100 OHM WIREWOUND
			R16	63-1067	7 OHM	G		100 OHM WIREWOUND
R1	63-597	470M OHM						100 OHM WIREWOUND

I.F. FREQUENCY 455 KC.

DENOTES CHASSIS "GROUND"  
 RED-POS. 6VOLT  
 BLACK-NEG. 6VOLT

