

## Zenith Radio Corp.

**Model:** 4B314

**Chassis:**

**Year:** Pre October 1938

**Power:**

**Circuit:**

**IF:**

**Tubes:**

**Bands:**

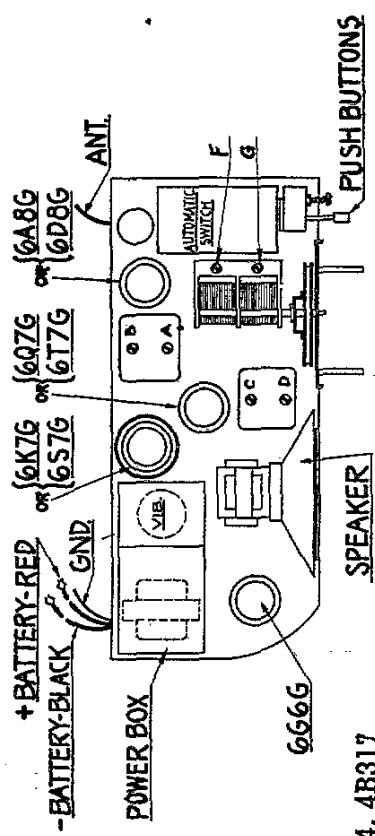
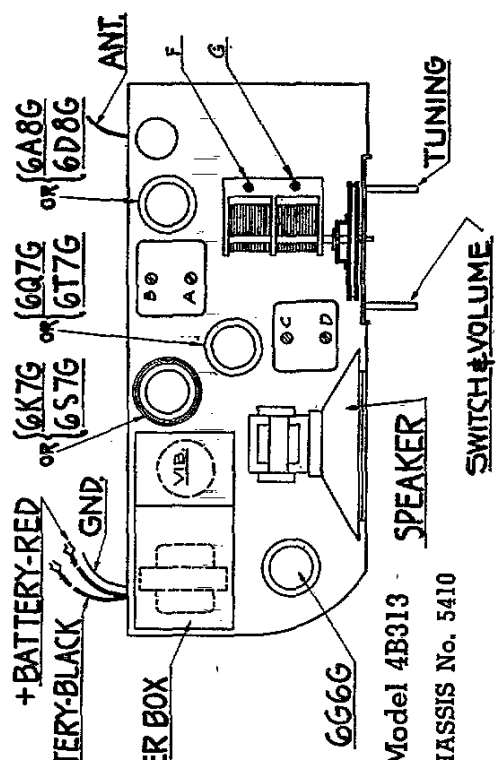
### Resources

**Riders Volume 9 - ZENITH 9-2**

**Riders Volume 9 - ZENITH 9-3**

ZENITH RADIO CORP.

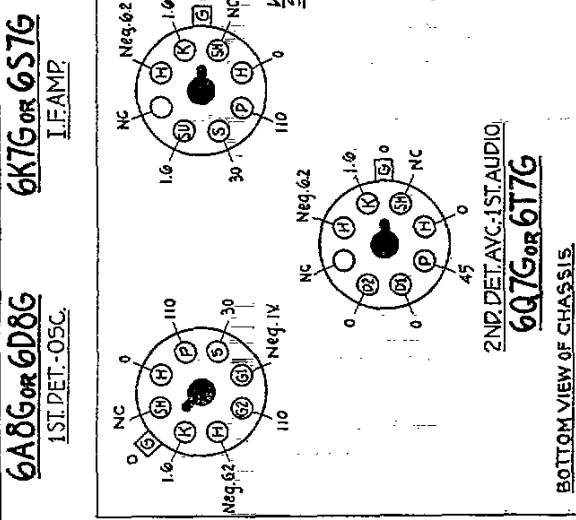
MODELS 4B313, 4B355  
 MODELS 4B314, 4B317  
 Socket, Trimmers  
 Voltage, Alignment



Location of Tubes and Trimmers

ALIGNMENT PROCEDURE

Operation	Connect Test Oscillator to	Dummy Antenna	Set Test Osc. to	Band	Set Dial At	Adjust Trimmers	Purpose
1	1st Det. Grid	1/2 Mfd.	455	Br'dc't	600	ABCD	I. F. Alignment
2	Rec. Ant. Lead	200 Mmfd.	1500	"	1500	F	Set Osc. to Scale
3	"	200 Mmfd.	1500	"	1500	G	Alignment of Ant.



NOTE

Voltages measured with a 1000 ohm per volt meter from chassis to socket contacts. Antenna disconnected — volume control on full.

Battery Voltage at chassis 6.2 v.

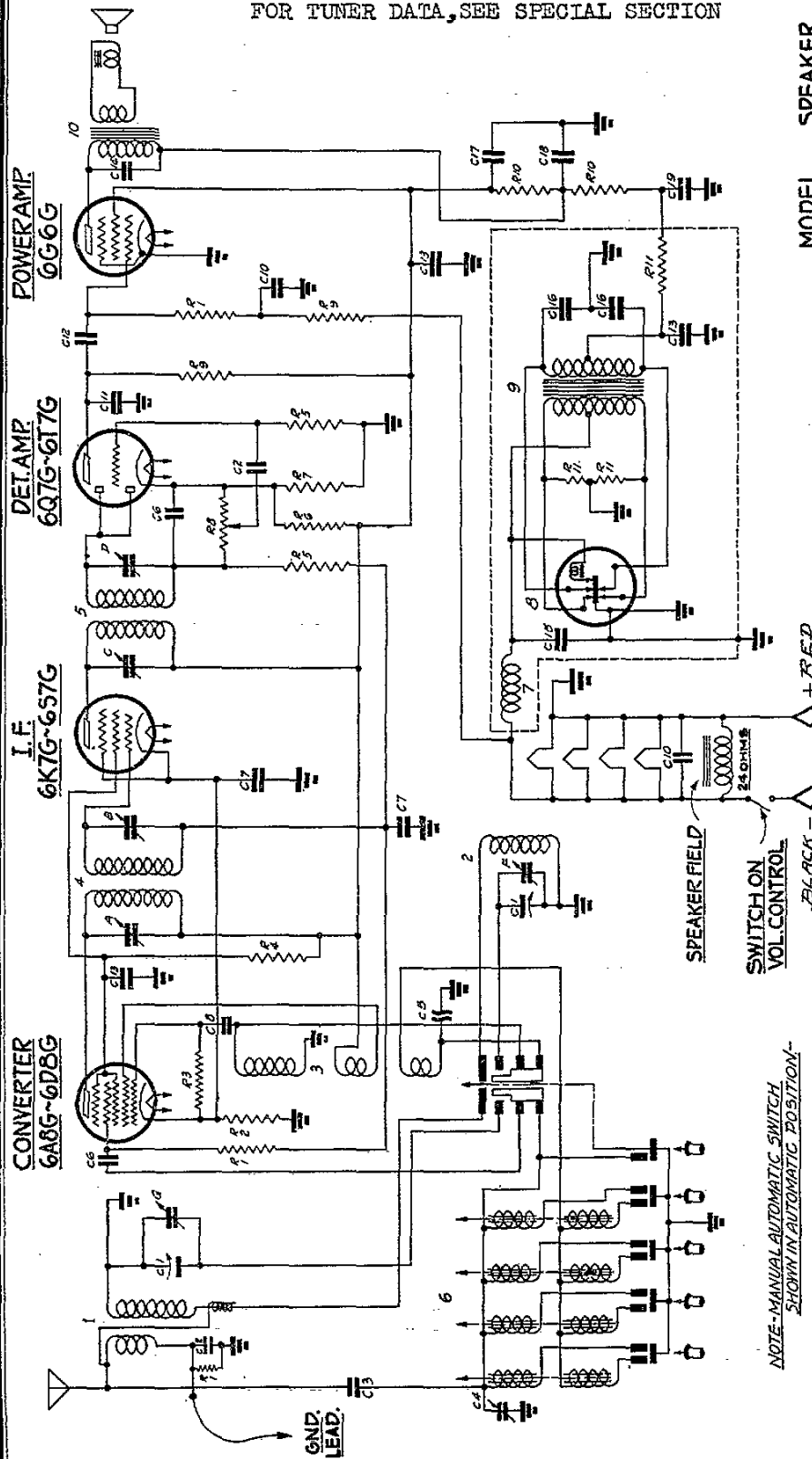
Battery Consumption 2.3 am-pere.

(A) Bias for 6G6 measured from point "B" to chassis,

ZENITH RADIO CORP.

MODELS 4B314, 4B317  
Chassis 5411  
Schematic, Parts

FOR TUNER DATA, SEE SPECIAL SECTION



MODEL 4-B-314  
MODEL 4-B-317

SPEAKER 49-262-5\*  
SPEAKER 49-262-5\*

I.F. FREQUENCY 455 K.C.  
4 TUBE SUPERHETERODYNE  
CHASSIS No 5411 - 6V SINGLE BAND  
ZENITH RADIO CORPORATION  
CHICAGO, ILLINOIS

DIAG. NO.	PART NO.	DESCRIPTION	DIAG. NO.	PART NO.	DESCRIPTION
C-1	22-695	TUNING VARIABLE	4	55-513	I.F. TRANS.
C-2	22-109	.01 MFD.	5	55-520	I.F. TRANS.
C-3	22-519	TRIMMER CONDENSER	6	1-5043	CHOKES A-354M
C-4	22-739	CONDENSER	7	100-6	VIERTOP
C-5	22-162	CONDENSER	8	95-352	POWER TRANS.
C-6	22-250	.05 MFD.	9	95-352	SPEAKER TRANS.
C-7	22-182	.05 MFD.	A		I.F. TRANS. PRY.
C-8	22-243	.05 MFD.	B		I.F. TRANS. SEC.
C-9	22-350	.05 MFD.	C		I.F. TRANS. PRY.
C-10	22-147	.05 MFD.	D		I.F. TRANS. SEC.
C-11	22-100	.05 MFD.	E		I.F. TRANS. PRY.
C-12	22-100	.05 MFD.	F		I.F. TRANS. SEC.
C-13	22-100	.05 MFD.	G		I.F. TRANS. PRY.
C-14	22-444	.05 MFD.	H		I.F. TRANS. SEC.
C-15	22-199	.05 MFD.	I		I.F. TRANS. PRY.
C-16	22-669	.05 MFD.	J		I.F. TRANS. SEC.
C-17	22-100	.05 MFD.	K		I.F. TRANS. PRY.
C-18	22-739	.05 MFD.	L		I.F. TRANS. SEC.
C-19	22-739	.05 MFD.			

NOTE-MANUAL/AUTOMATIC SWITCH SHOWN IN AUTOMATIC POSITION-