

## Zenith Radio Corp.

**Model:** 4B313

**Chassis:**

**Year:** Pre October 1938

**Power:**

**Circuit:**

**IF:**

**Tubes:**

**Bands:**

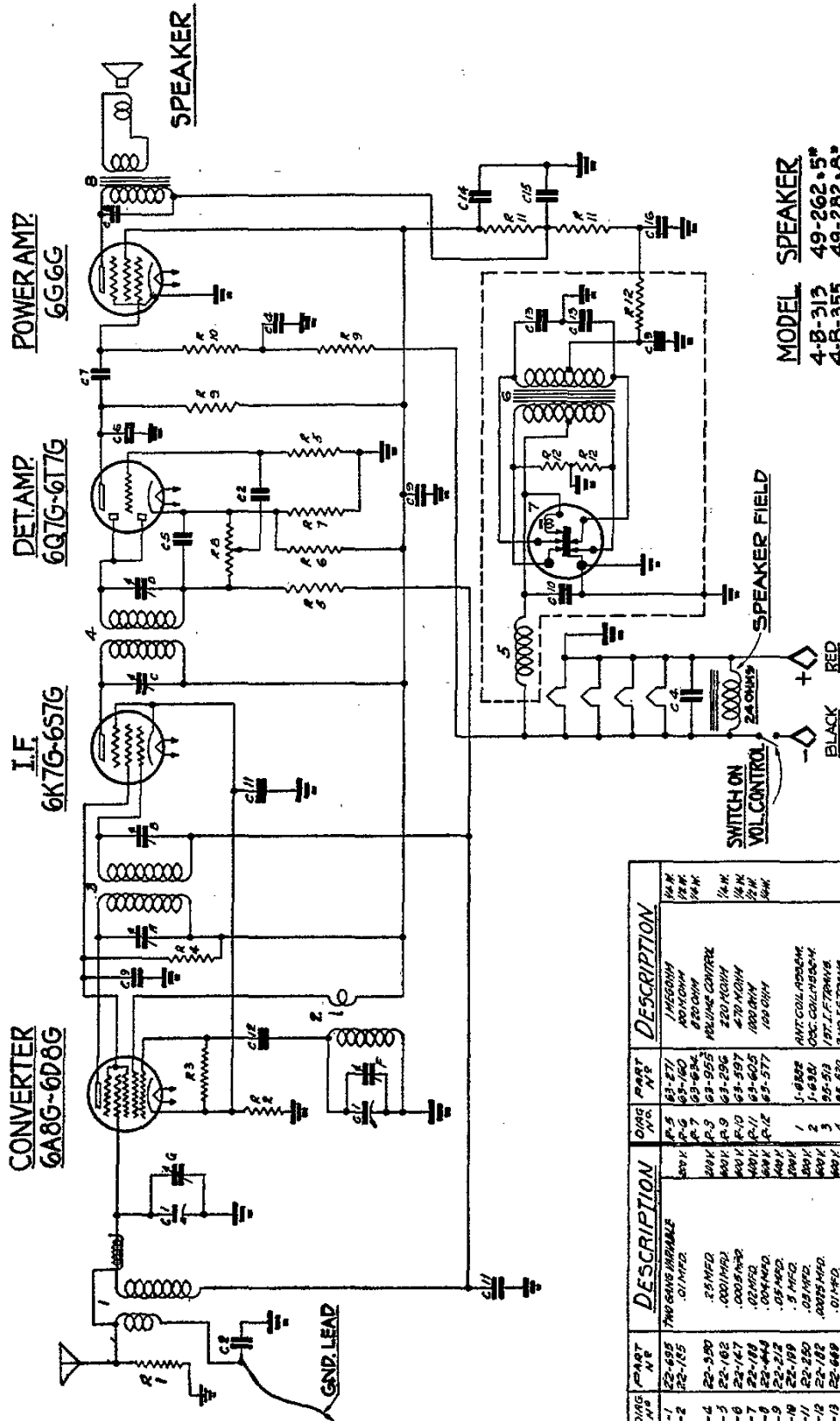
### Resources

[Riders Volume 9 - ZENITH 9-1](#)

[Riders Volume 9 - ZENITH 9-2](#)

ZENITH RADIO CORP.

MODELS 4B313, 4B355  
Chassis 5410  
Schematic, Parts



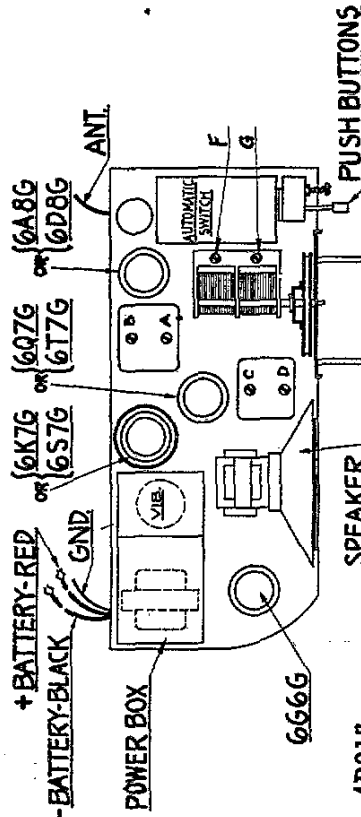
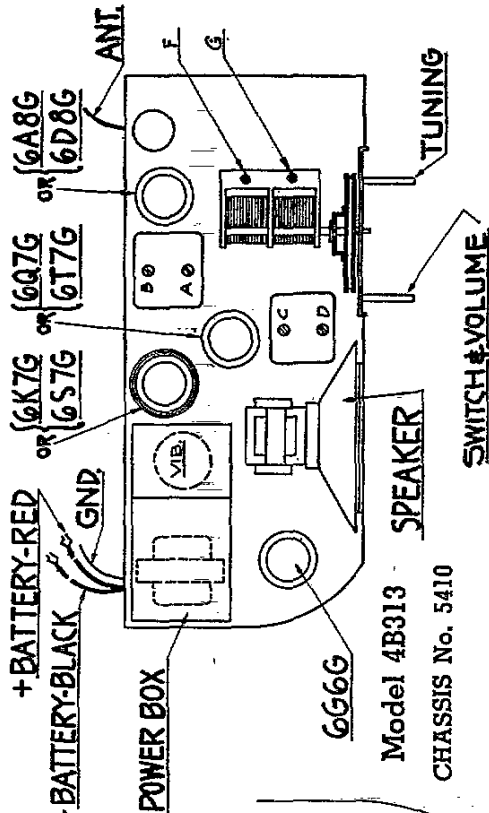
MODEL SPEAKER  
4-B-313 49-262.5"  
4-B-355 49-282.8"

I.F. FREQUENCY 455 K.C.  
4 TUBE SUPERHETERODYNE  
CHASSIS No 5410 - 6V-SINGLE BAND  
ZENITH RADIO CORPORATION  
CHICAGO, ILLINOIS

CHG. NO.	PART NO.	DESCRIPTION	QTY.	PART NO.	DESCRIPTION
C-1	22-402	THE 6000 SERIES	1	1A-K	1A6600M
C-2	22-105	.01 MFD.	1	1A-K	1A6100M
C-3	22-520	.25 MFD.	1	1A-K	1A6100M
C-4	22-102	.0001 MFD.	1	1A-K	1A6100M
C-5	22-107	.0005 MFD.	1	1A-K	1A6100M
C-6	22-107	.0005 MFD.	1	1A-K	1A6100M
C-7	22-107	.0005 MFD.	1	1A-K	1A6100M
C-8	22-107	.0005 MFD.	1	1A-K	1A6100M
C-9	22-107	.0005 MFD.	1	1A-K	1A6100M
C-10	22-107	.0005 MFD.	1	1A-K	1A6100M
C-11	22-107	.0005 MFD.	1	1A-K	1A6100M
C-12	22-107	.0005 MFD.	1	1A-K	1A6100M
C-13	22-107	.0005 MFD.	1	1A-K	1A6100M
C-14	22-107	.0005 MFD.	1	1A-K	1A6100M
C-15	22-107	.0005 MFD.	1	1A-K	1A6100M
C-16	22-107	.0005 MFD.	1	1A-K	1A6100M
R-1	63-507	4700 OHM	1	1A-K	1A6100M
R-2	63-509	150 OHM	1	1A-K	1A6100M
R-3	63-509	47 K OHM	1	1A-K	1A6100M
R-4	63-500	60 K OHM	1	1A-K	1A6100M

ZENITH RADIO CORP.

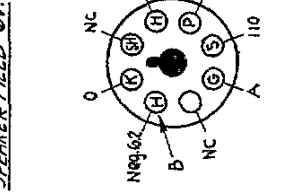
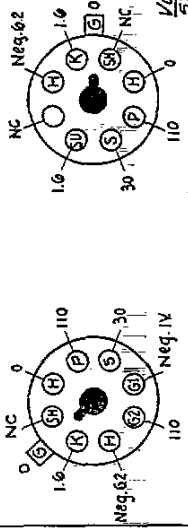
MODELS 4B313, 4B355  
 MODELS 4B314, 4B317  
 Socket, Trimmers  
 Voltage, Alignment



Location of Tubes and Trimmers

Models 4B314, 4B317  
 CHASSIS No. 5411

**6A8G or 6D8G**  
 1ST DET.-OSC.  
 I.F.A.M.P.



2ND DET. AVC.-1ST AUDIO.  
**6Q7G or 6T7G**

**FRONT OF CHASSIS**

**NOTE**

Voltages measured with a 1000 ohm per volt meter from chassis to socket contacts. Antenna disconnected — volume control on full.

Battery Voltage at chassis 6.2 v.

Battery Consumption 2.3 ampere.

(A) Bias for 6G6 measured from point "B" to chassis,

**ALIGNMENT PROCEDURE**

Operation	Connect Test Oscillator to	Dummy Antenna	Set Test Osc. to	Band	Set Dial At	Adjust Trimmers	Purpose
1	1st Det. Grid	1/2 Mfd.	455	Br'dc't	600	ABCD	I. F. Alignment
2	Rec. Ant. Lead	200 Mmfd.	1500	"	1500	F	Set Osc. to Scale
3	"	200 Mmfd.	1500	"	1500	G	Alignment of Ant.