

## Zenith Radio Corp.

**Model:** 4-B-131

**Chassis:**

**Year:** Pre October 1936

**Power:**

**Circuit:**

**IF:**

**Tubes:**

**Bands:**

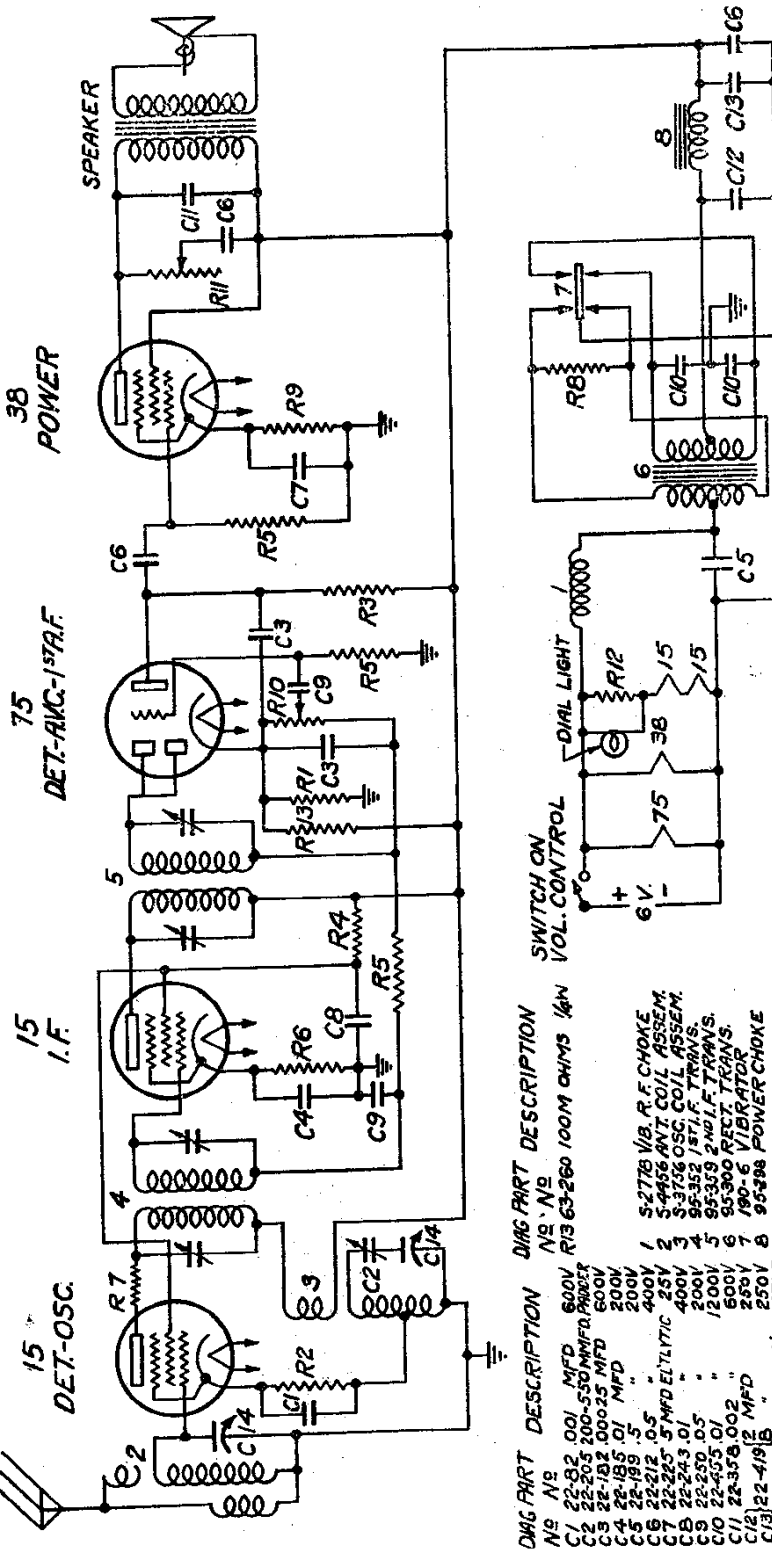
### Resources

[Riders Volume 7 - ZENITH 7-1](#)

[Riders Volume 7 - ZENITH 7-2](#)

ZENITH RADIO CORP.

MODELS 4-B-106, 4-B-131  
4-B-132  
Chassis 5406  
Schematic



4TUBE BATTERY SUPERHETERODYNE  
I.F. FREQUENCY 456 K.C.  
CHASSIS No 5406

TUNING RANGE 550-1700 K.C. ZENITH RADIO CORP.  
CHICAGO, ILL.

DIAG PART DESCRIPTION		DIAG PART DESCRIPTION	
No.	No.	No.	No.
R1	22-82 001 MFD 600V	R13	63-260 100M OHMS 1/4W
R2	22-203 200-550MMFD PAPER		
R3	22-182 00025 MFD 600V		
R4	22-185 01 MFD 200V		
R5	22-189 .5		
R6	22-212 0.5		
R7	22-223 5-MFD ELTYLIC 25V		
R8	22-243 01		
R9	22-250 0.5		
R10	22-355 01		
R11	22-358 002		
R12	22-418 15		
R14	22-426		
C1	22-82 001 MFD 600V	C7	22-212 0.5
C2	22-203 200-550MMFD PAPER	C8	22-243 01
C3	22-182 00025 MFD 600V	C9	22-250 0.5
C4	22-185 01 MFD 200V	C10	22-355 01
C5	22-189 .5	C11	22-358 002
C6	22-212 0.5	C12	22-418 15
C7	22-223 5-MFD ELTYLIC 25V	C13	22-426
C8	22-243 01		
C9	22-250 0.5		
C10	22-355 01		
C11	22-358 002		
C12	22-418 15		
C14	22-426		

SPEAKER	MODELS
1/4W	49-153
1/4W	49-159
1/4W	49-153 6"RM
1/4W	49-159 6"RM

CIRCUIT DIAGRAM—Models 4-B-106, 4-B-131, 4-B-132. (Chassis No. 5406)

Courtesy Nostalgia Air

MODELS 4-B-106, 4-B-131  
 4-B-132  
 MODELS 5-S-119, 5-S-126

ZENITH RADIO CORP.

5-S-127, 5-S-150  
 5-S-151, 5-S-161  
 Voltage, Socket, Trimmers

MODELS  
 5-S-119, 5-S-126, 5-S-150, 5-S-151, 5-S-161  
 CHASSIS No. 5516

SOCKET VOLTAGES

Tube	Position	1	2	3	4	5	6	7	8	9
6A8	1st Det. Osc.	0	0	240	85	-1	166	6ac	4	0
6K7	I.F.	0	0	240	85	3	---	6ac	3	0
6Q7	2nd Det. A.V.C.	0	0	75	.1	.1	---	6ac	1.5	0
6F6	Power	0	0	230	240	-5	---	6ac	0	---
5Y3 5W4	Rectifier	0	240	---	AC	---	AC	---	240	---

All voltages measured from point indicated to ground, using a 1000 ohm per volt meter with antenna and ground disconnected.

Line Voltage 112V.

Current Consumption 55 watts.

Power Output 3 watts.

For other data see index



BOTTOM VIEW OF SOCKET

MODELS  
 4-B-106, 4-B-131, 4-B-132  
 CHASSIS No. 5406

SOCKET VOLTAGES

Tube	Position	Ef	Ek	Eg <sup>1</sup>	Eg <sup>2</sup>	Eg <sup>3</sup>	Ep
15	1st Det. Osc.	2	8	0	115	---	155
15	I.F.	2	3.5	0	115	---	155
75	2nd Det. A.V.C.	6	1.5	0	---	---	30
38	PWR	6	14	0	155	---	148

f—filament; k—cathode; g<sup>1</sup>—control grid; g<sup>2</sup>—screen grid; g<sup>3</sup>—suppressor grid; p—plate.

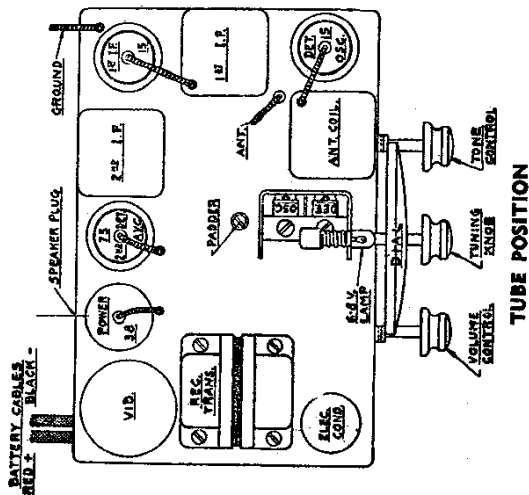
All measurements taken from point indicated to ground using a 1000 ohm per volt D. C. meter with antenna and ground disconnected.

Battery Voltage 6V.

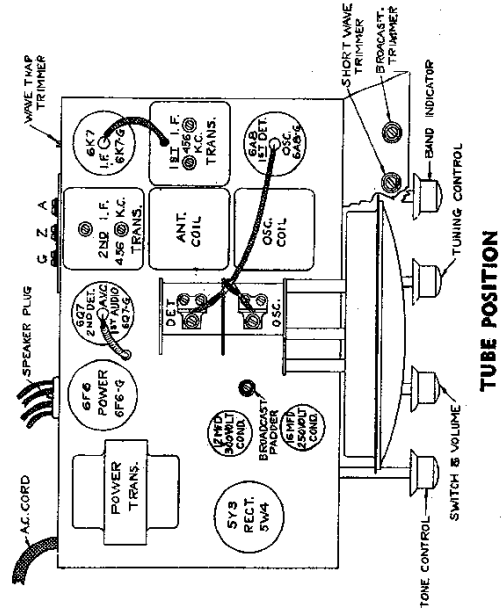
Battery Drain 1.7 amperes.

Power Output 1 watt.

CAUTION: Reversal of the battery polarity will damage the filter condensers. The storage battery must be connected as shown above.



TUBE POSITION



TUBE POSITION