

Zenith Radio Corp.

Model: 5G401L

Chassis:

Year: Pre June 1940

Power:

Circuit:

IF:

Tubes:

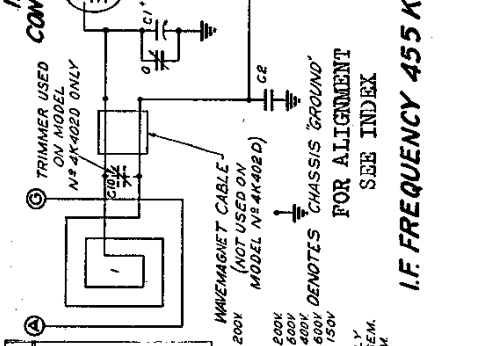
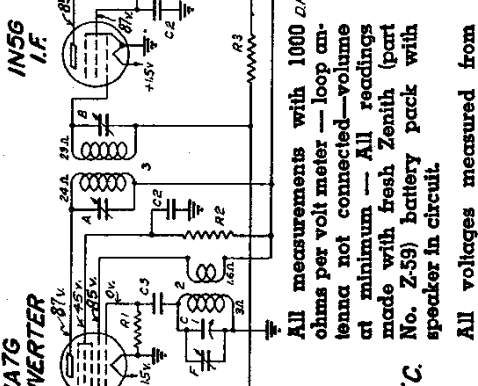
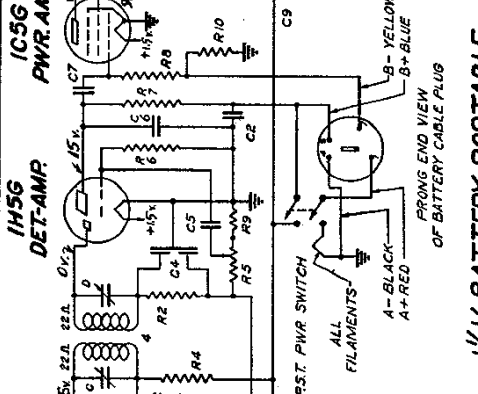
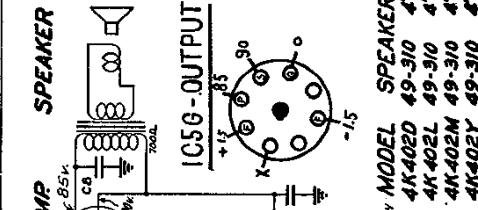
Bands:

Resources

Riders Volume 11 - ZENITH 11-2

ZENITH RADIO CORP.

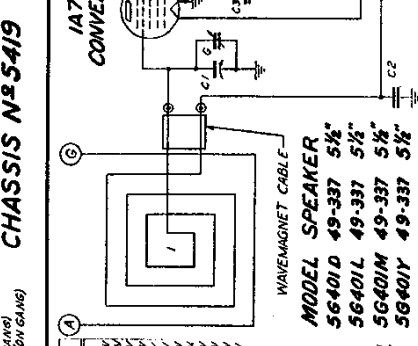
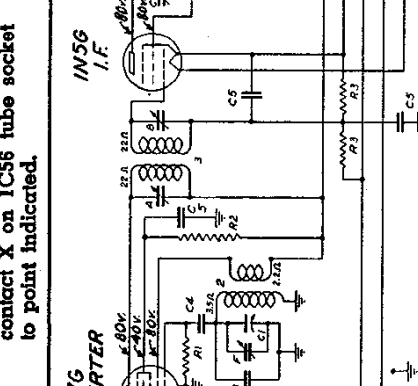
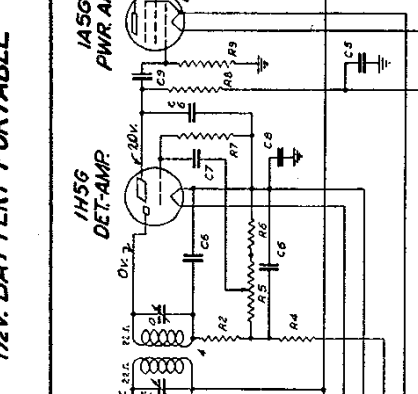
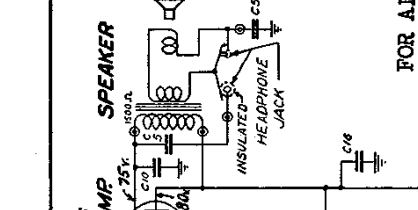
MODELS 4K402D, 4K402L, 4K402M
 Chassis 5419 4K402Y
 MODELS 5G401D, 5G401L, 5G401M
 Chassis 5537 5G401Y
 Schematics, Voltage



QWG NO.	PART NO.	DESCRIPTION
R1	63-652	120 M OHM
R2	63-553	47 M OHM
R3	63-669	3.9 MEGOHM
R4	63-593	1000 OHM
R5	63-1024	VOLUME CONTROL
R6	63-271	1 MEGOHM
R7	63-600	2.2 MEGOHM
R8	63-597	4700 OHM
R10	63-238	1000 OHM
C1	22-895	TWO-GANG VARIABLE
C2	25-929	0.5 MFD.
C3		DUAL 100 MHF/D
C4	22-925	0.1 MFD.
C5	22-925	0.001 MFD.
C6	22-925	0.001 MFD.
C7	22-925	0.001 MFD.
C8	22-925	0.001 MFD.
C9	22-925	0.001 MFD.
C10	22-925	0.001 MFD.
W1	57029	WAVE-MAGNET ASSEMBLY
W2	57029	OSCILLATOR COIL ASSEM.
W3	95-006	2 X 10 I.F. TRANS.
A		1ST I.F. TRANS. PRI.
B		1ST I.F. TRANS. SEC.
C		2ND I.F. TRANS. SEC.
D		BROADCAST OSC. (ON GAIN)
E		ANTENNA BROADCAST (ON GAIN)
F		
G		

IF FREQUENCY 455 KC.
CHASSIS No. 5419
1/2V. BATTERY PORTABLE
 All measurements with 1000 ohm per volt meter — loop antenna not connected — volume at minimum — All readings made with fresh Zenith (part No. Z-59) battery pack with speaker in circuit.
 All voltages measured from contact X on IC56 tube socket to point indicated.

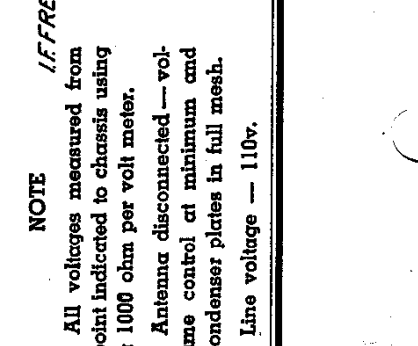
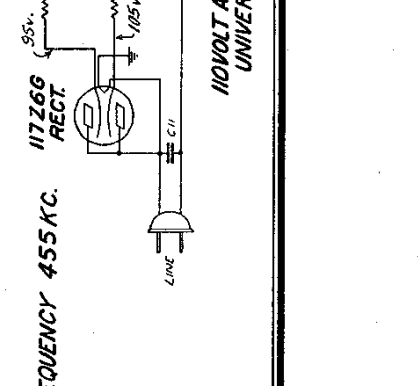
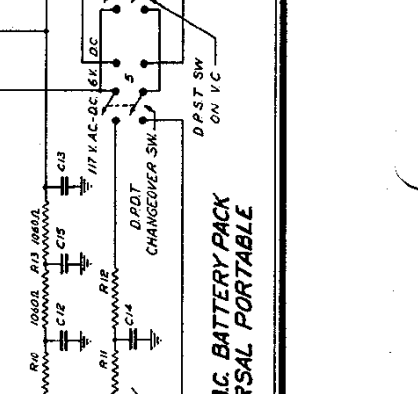
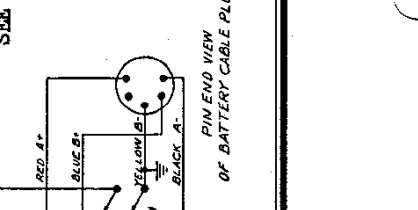
FOR ALIGNMENT SEE INDEX



QWG NO.	PART NO.	DESCRIPTION
C1	22-895	TWO-GANG VARIABLE
C2	25-929	0.5 MFD.
C3		DUAL 100 MHF/D
C4	22-925	0.1 MFD.
C5	22-925	0.001 MFD.
C6	22-925	0.001 MFD.
C7	22-925	0.001 MFD.
C8	22-925	0.001 MFD.
C9	22-925	0.001 MFD.
C10	22-925	0.001 MFD.
W1	57029	WAVE-MAGNET ASSEMBLY
W2	57029	OSCILLATOR COIL ASSEM.
W3	95-006	2 X 10 I.F. TRANS.
A		1ST I.F. TRANS. PRI.
B		1ST I.F. TRANS. SEC.
C		2ND I.F. TRANS. SEC.
D		BROADCAST OSC. (ON GAIN)
E		ANTENNA BROADCAST (ON GAIN)
F		
G		

IF FREQUENCY 455 KC.
CHASSIS No. 5419
1/2V. BATTERY PORTABLE
 All measurements with 1000 ohm per volt meter — loop antenna not connected — volume at minimum — All readings made with fresh Zenith (part No. Z-59) battery pack with speaker in circuit.
 All voltages measured from contact X on IC56 tube socket to point indicated.

FOR ALIGNMENT SEE INDEX



QWG NO.	PART NO.	DESCRIPTION
C1	22-895	TWO-GANG VARIABLE
C2	25-929	0.5 MFD.
C3		DUAL 100 MHF/D
C4	22-925	0.1 MFD.
C5	22-925	0.001 MFD.
C6	22-925	0.001 MFD.
C7	22-925	0.001 MFD.
C8	22-925	0.001 MFD.
C9	22-925	0.001 MFD.
C10	22-925	0.001 MFD.
W1	57029	WAVE-MAGNET ASSEMBLY
W2	57029	OSCILLATOR COIL ASSEM.
W3	95-006	2 X 10 I.F. TRANS.
A		1ST I.F. TRANS. PRI.
B		1ST I.F. TRANS. SEC.
C		2ND I.F. TRANS. SEC.
D		BROADCAST OSC. (ON GAIN)
E		ANTENNA BROADCAST (ON GAIN)
F		
G		

IF FREQUENCY 455 KC.
CHASSIS No. 5537
110VOLT AC. BATTERY PACK
 All voltages measured from point indicated to chassis using a 1000 ohm per volt meter. Antenna disconnected — volume control at minimum and condenser plates in full mesh. Line voltage — 110V.

FOR ALIGNMENT SEE INDEX