

## Zenith Radio Corp.

**Model:** 5G401D

**Chassis:**

**Year:** Pre June 1940

**Power:**

**Circuit:**

**IF:**

**Tubes:**

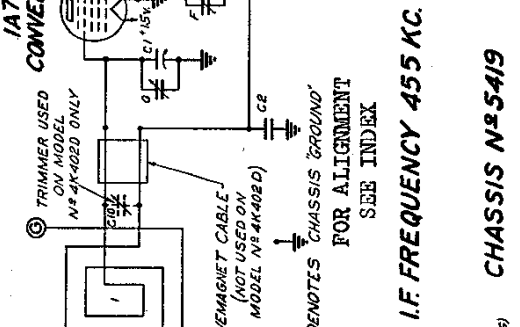
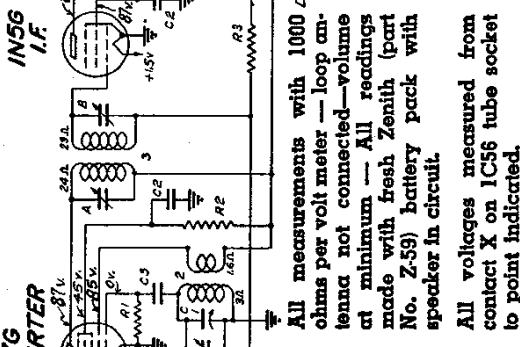
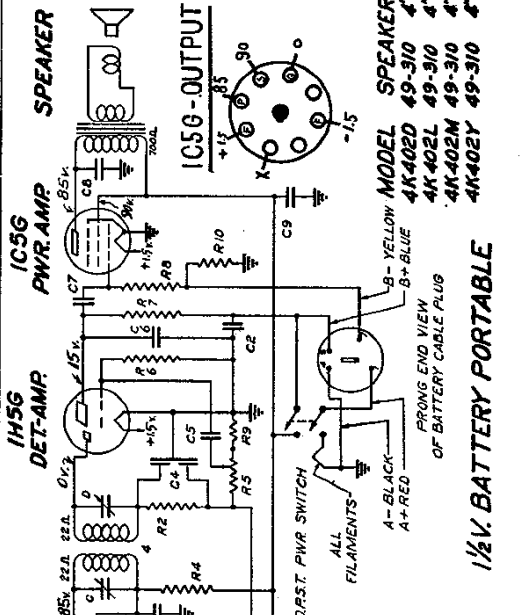
**Bands:**

Resources

**Riders Volume 11 - ZENITH 11-2**

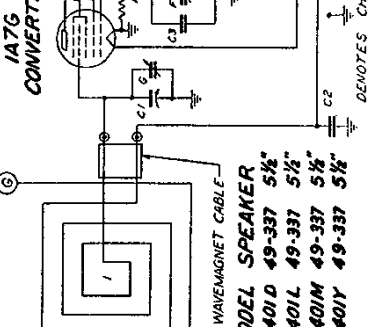
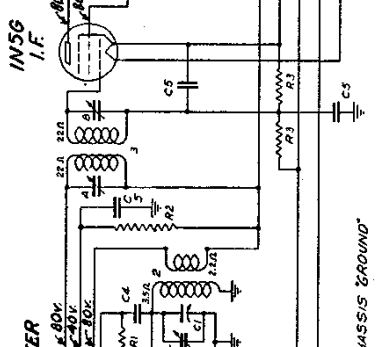
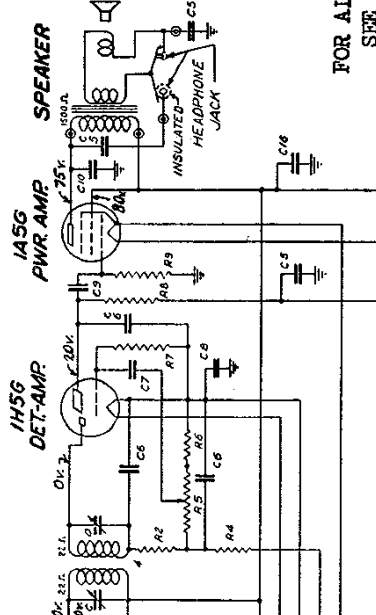
ZENITH RADIO CORP.

MODELS 4K402D, 4K402L, 4K402M  
 Chassis 5419 4K402Y  
 MODELS 5G401D, 5G401L, 5G401M  
 Chassis 5537 5G401Y  
 Schematics, Voltage



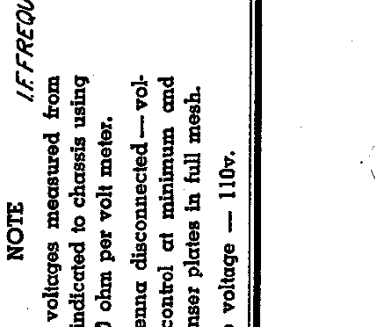
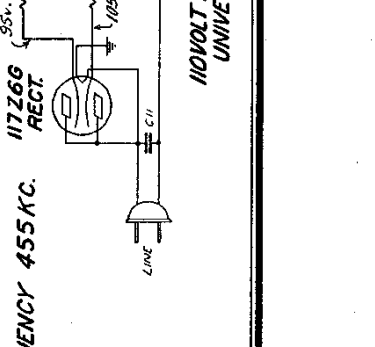
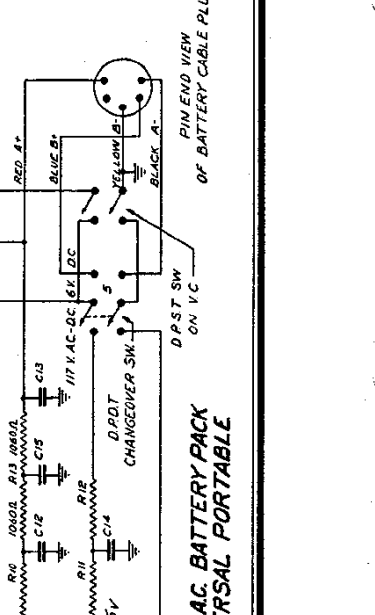
QWG NO.	PART NO.	DESCRIPTION
R1	63-652	120 M OHM
R2	63-553	47 M OHM
R3	63-669	3.9 MEGOHM
R4	63-583	1000 OHM
R5	63-1024	VOLUME CONTROL
R6	63-271	1 MEGOHM
R7	63-600	2.2 MEGOHM
R8	63-597	4700 OHM
R9	63-238	1000 OHM
C1	22-895	TRIMMER VARIABLE
C2	25-929	0.5 MFD.
C3		DUAL 100 MHFDD
C4	22-925	0.1 MFD.
C5	22-925	0.001 MFD.
C6	22-925	0.001 MFD.
C7	22-925	0.001 MFD.
C8	22-925	0.001 MFD.
C9	22-925	0.001 MFD.
C10	22-925	0.001 MFD.
W	57029	WAVE-MAGNET ASSEMBLY
1	57029	OSCILLATOR COIL ASSEM.
2	57029	2ND I.F. TRANS.
3	57029	1ST I.F. TRANS. PRI.
4	57029	1ST I.F. TRANS. SEC.
A		BROADCAST OSC. (ON GANG)
B		ANTENNA BROADCAST (ON GANG)
C		ANTENNA BROADCAST (ON GANG)
D		ANTENNA BROADCAST (ON GANG)
E		ANTENNA BROADCAST (ON GANG)
F		ANTENNA BROADCAST (ON GANG)
G		ANTENNA BROADCAST (ON GANG)

© John F. Rider, Publisher



QWG NO.	PART NO.	DESCRIPTION
C1	22-895	TRIMMER VARIABLE
C2	25-929	0.5 MFD.
C3		DUAL 100 MHFDD
C4	22-925	0.1 MFD.
C5	22-925	0.001 MFD.
C6	22-925	0.001 MFD.
C7	22-925	0.001 MFD.
C8	22-925	0.001 MFD.
C9	22-925	0.001 MFD.
C10	22-925	0.001 MFD.
W	57029	WAVE-MAGNET ASSEMBLY
1	57029	OSCILLATOR COIL ASSEM.
2	57029	2ND I.F. TRANS.
3	57029	1ST I.F. TRANS. PRI.
4	57029	1ST I.F. TRANS. SEC.
A		BROADCAST OSC. (ON GANG)
B		ANTENNA BROADCAST (ON GANG)
C		ANTENNA BROADCAST (ON GANG)
D		ANTENNA BROADCAST (ON GANG)
E		ANTENNA BROADCAST (ON GANG)
F		ANTENNA BROADCAST (ON GANG)
G		ANTENNA BROADCAST (ON GANG)

© John F. Rider, Publisher



QWG NO.	PART NO.	DESCRIPTION
C1	22-895	TRIMMER VARIABLE
C2	25-929	0.5 MFD.
C3		DUAL 100 MHFDD
C4	22-925	0.1 MFD.
C5	22-925	0.001 MFD.
C6	22-925	0.001 MFD.
C7	22-925	0.001 MFD.
C8	22-925	0.001 MFD.
C9	22-925	0.001 MFD.
C10	22-925	0.001 MFD.
W	57029	WAVE-MAGNET ASSEMBLY
1	57029	OSCILLATOR COIL ASSEM.
2	57029	2ND I.F. TRANS.
3	57029	1ST I.F. TRANS. PRI.
4	57029	1ST I.F. TRANS. SEC.
A		BROADCAST OSC. (ON GANG)
B		ANTENNA BROADCAST (ON GANG)
C		ANTENNA BROADCAST (ON GANG)
D		ANTENNA BROADCAST (ON GANG)
E		ANTENNA BROADCAST (ON GANG)
F		ANTENNA BROADCAST (ON GANG)
G		ANTENNA BROADCAST (ON GANG)

© John F. Rider, Publisher

1 1/2 V. BATTERY PORTABLE  
 FOR ALIGNMENT  
 SEE INDEX

110VOLT AC BATTERY PACK  
 UNIVERSAL BATTERY PACK  
 FOR ALIGNMENT  
 SEE INDEX

I.F. FREQUENCY 455 KC.  
 I.F. FREQUENCY 455 KC.

All voltages measured from point indicated to chassis using a 1000 ohm per volt meter. Antenna disconnected — volume control at minimum and condenser plates in full mesh. Line voltage — 110v.

CHASSIS No. 5419

CHASSIS No. 5537