

Zenith Radio Corp.

Model: 5G003

Chassis:

Year: Pre 1948

Power:

Circuit:

IF:

Tubes:

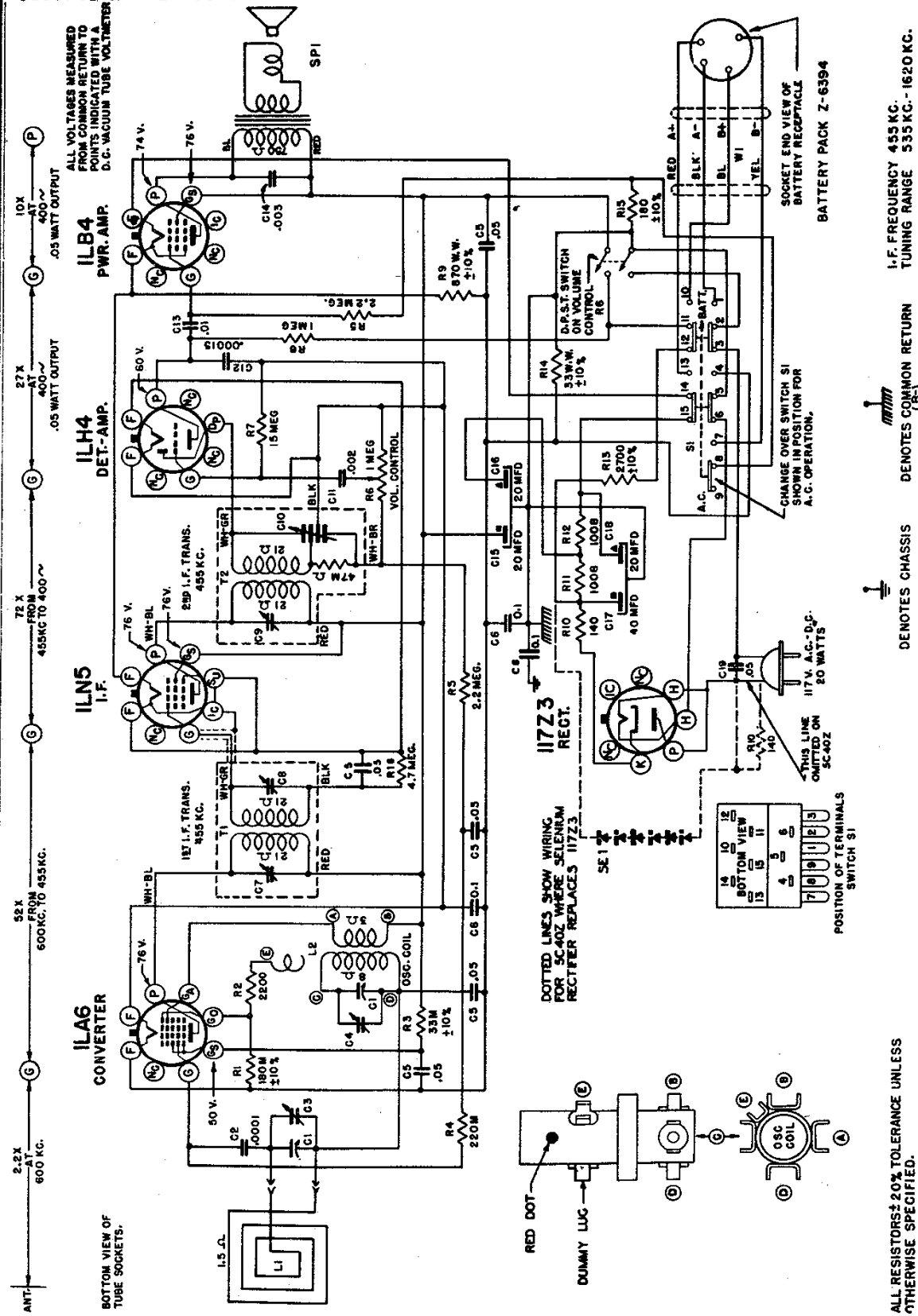
Bands:

Resources

Riders Volume 16 - ZENITH 16-4

Riders Volume 16 - ZENITH 16-5

Riders Volume 16 - ZENITH 16-6

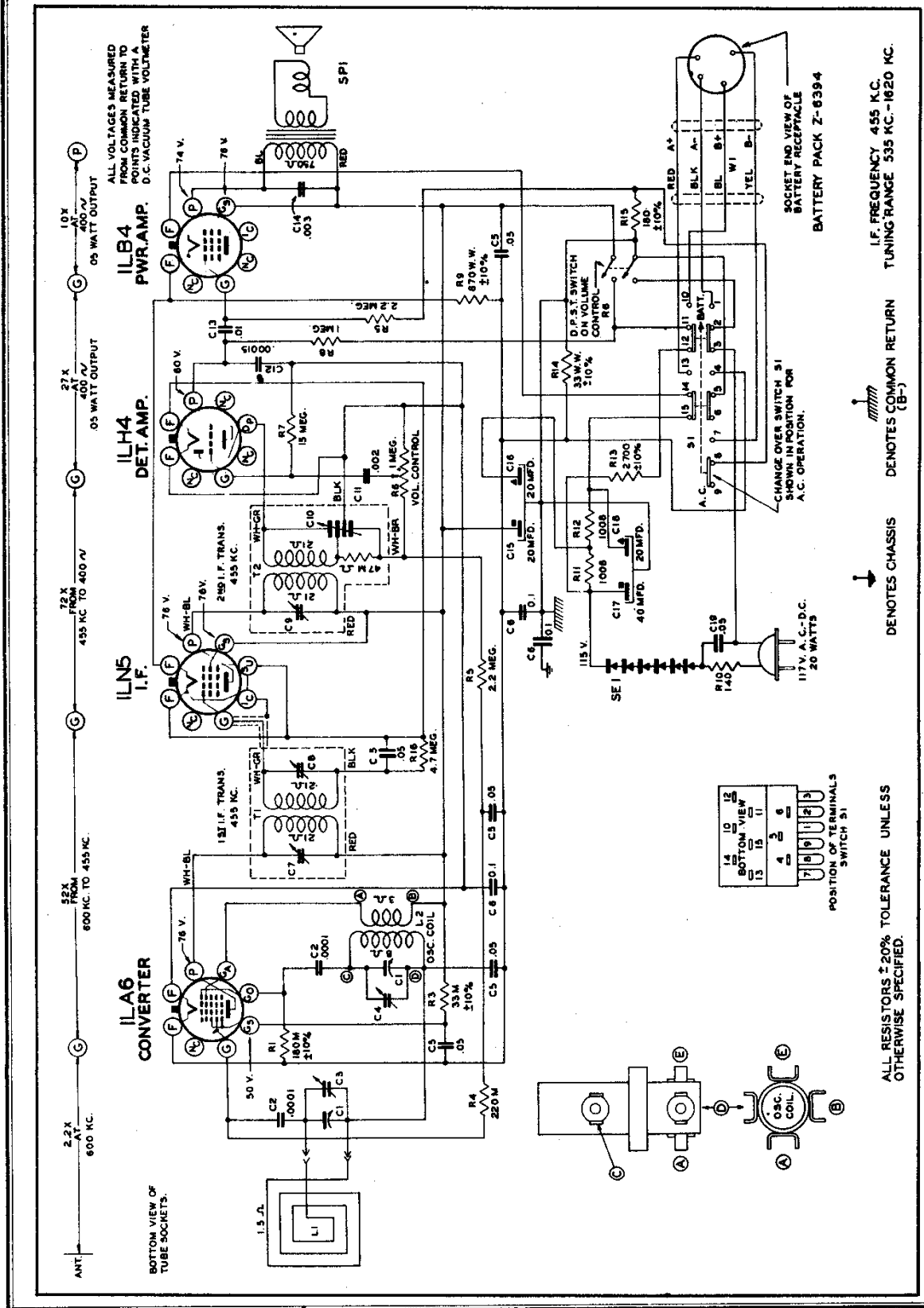


MODEL 5G003 5G003Z CHASSIS No. 5C40 5C40Z

I.F. FREQUENCY 455 KC.
TUNING RANGE 535 KC.-1620 KC.

ALL RESISTORS ±20% TOLERANCE UNLESS OTHERWISE SPECIFIED.

⏚ DENOTES CHASSIS
 ⏚ DENOTES COMMON RETURN



MODEL 5G003ZZ CHASSIS No. 5C40ZZ

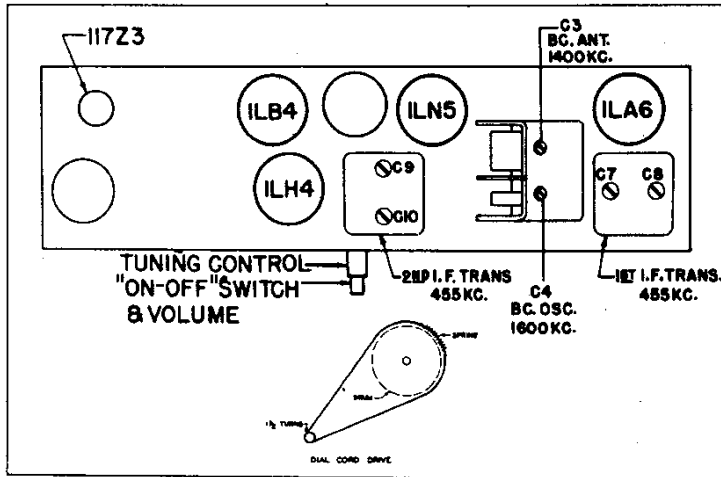
MODELS 5G003, 5G003Z
MODEL 5G003ZZ

ZENITH RADIO CORP.

TO THE SERVICEMAN:

The alignment of chassis 5C40 is conventional and the most accurate alignment will be accomplished if the procedure is followed exactly. The IF frequency is 455 KC and all measurements, voltage, and resistance have been taken with an electronic volt ohm meter.

Stage by stage gain measurements are for reference purposes only. Gain measurements can seldom be duplicated, and are used only for comparison purposes.



TUBE TRIMMER LOCATION AND DIAL CABLE DRAWING

ALIGNMENT PROCEDURE

OPERATION	CONNECT OSC. TO	DUMMY ANT.	INPUT SIG. FREQUENCY	SET DIAL AT	TRIMMERS	PURPOSE
1	Converter Grid	.5 Mfd.	455	600	C7, C8, C9 C10	I. F. Alignment
2	Single Turn Loop	--	1600	1600	C4	Set Osc. to scale
3	Coupled Loosely to Wavemagnet	--	1400	1400	C3	Alignment of Antenna

PARTS LIST

PART NO.	REF. NO.	DESCRIPTION	PRICE	PART NO.	REF. NO.	DESCRIPTION	PRICE
DIAL ASSEMBLY							
26-366		Dial Scale	.12	63-1097	R9	870 Ohm W. W. Insul.	.24
46-530		Volume Control Knob (Small)	.17	63-1099	R14	33 Ohm W. W. Insul.	.21
46-537		Tuning Control Knob (Large)	.11	63-1363	R11-R12	Two Section Candeohs (63-1132)	.60
57-1120		Escutcheon Plate	1.06	63-1366	R10	Zippos	.24
57-1187		Dial Plate	.60	63-1549	R6	Vol. Control & Switch D P S T.	1.81
59-164		Dial Pointer	.19				
78-488		Tuning Control Shaft	.26				
80-365		Tuning Shaft Tension Spring (63-1459)	.03				
80-508		Dial Cord Tension Spring	.04	11-70		A. C. Line Cord & Plug (Alt 11-90)	.60
125-17		Rubber Gromets (22-1450)	.03	12-1322		Reinforcing Brkt. (2 used Handle)	.15
147-148		Dial Plate Spacer	.02	14-903		Polystyrene Cabinet Front Less Accessories (Use S-13209)	.20
159-50		Plug Button (26-366-192-99)	.01	A5-51		Battery Socket Cap	.09
189-53		Tuning Shaft Retainer Ring	.01	24-371		Cabinet Rear Cover Less Accessories (Use S-11999)	.20
192-98		Dial Glass	.20	40-28		Cabinet Hinge	.65
196-88		Dial Glass Gasket	.08	43-111		Handle End Pieces (Die Cast)	.75
S-11098		Pulley & Pushing Assembly	.33	49-540		4" P M Speaker (Complete)	1.67
S-11137		Dial Cord & Eyelet Assembly	.09			208-540 Output Transformer	1.73
						208-540 Cone & Voice Coil Asses.	.02
						Speed Nut (2 used S-11999)	.24
						Chassis Bottom Plate	.02
						Excess Eyelet (S-11999)	.01
						Brass Eyelet (S-11999)	.01
						Electrolytic Socket	.03
						Socket	.03
						Loktal Base Tube Socket	.19
						Miniature Base Tube Socket	.12
						Loktal Base Tube Socket (3 used)	.19
						Battery Cable Socket	.25
						Tube Retaining Spring (117Z3)	.15
						Battery Retaining Strip	.25
						Rubber Strip (Handle)	.30
						Power Change Over Switch	.02
						Pin Jack Terminal (Gang)	.02
						Pin Jack Terminal (Gang)	.02
						Resilite Spacer Washer (S-11999)	.03
						Grille Cloth	.15
						#8 x 5/16 Phillips B H Self Tapping Screw (82-20)	1.80C
						#8 x 1/4 Phillips R.H. Self Tapping Screw (40-28)	.02
						#8 x 5/16 Phillips Stove Hd. Self Tapping Screw (Chassis Mtg.)	.03
						Spiral Shield	.05
						Refile Board (or 139-66)	.08
						Cover Catch (2 used)	.09
						Flexible Handle Sleeve	.40
						Instruction Book	.03
						Selenium Rectifier	.82
						Cabinet Back & Wavemagnet Asses. Complete (24-371)	4.75
						5C40-5C40Z	
						Cabinet Back & Wavemagnet Asses. 22 Model	
						Front Cabinet & Hinge Asses. (14-903)	6.25
						Strap & Rivet Asses. (Handles)	.20

Prices subject to change without notice.

25H 4-29-47