

Zenith Radio Corp.

Model: 4V59

Chassis:

Year: Pre November 1935

Power:

Circuit:

IF:

Tubes:

Bands:

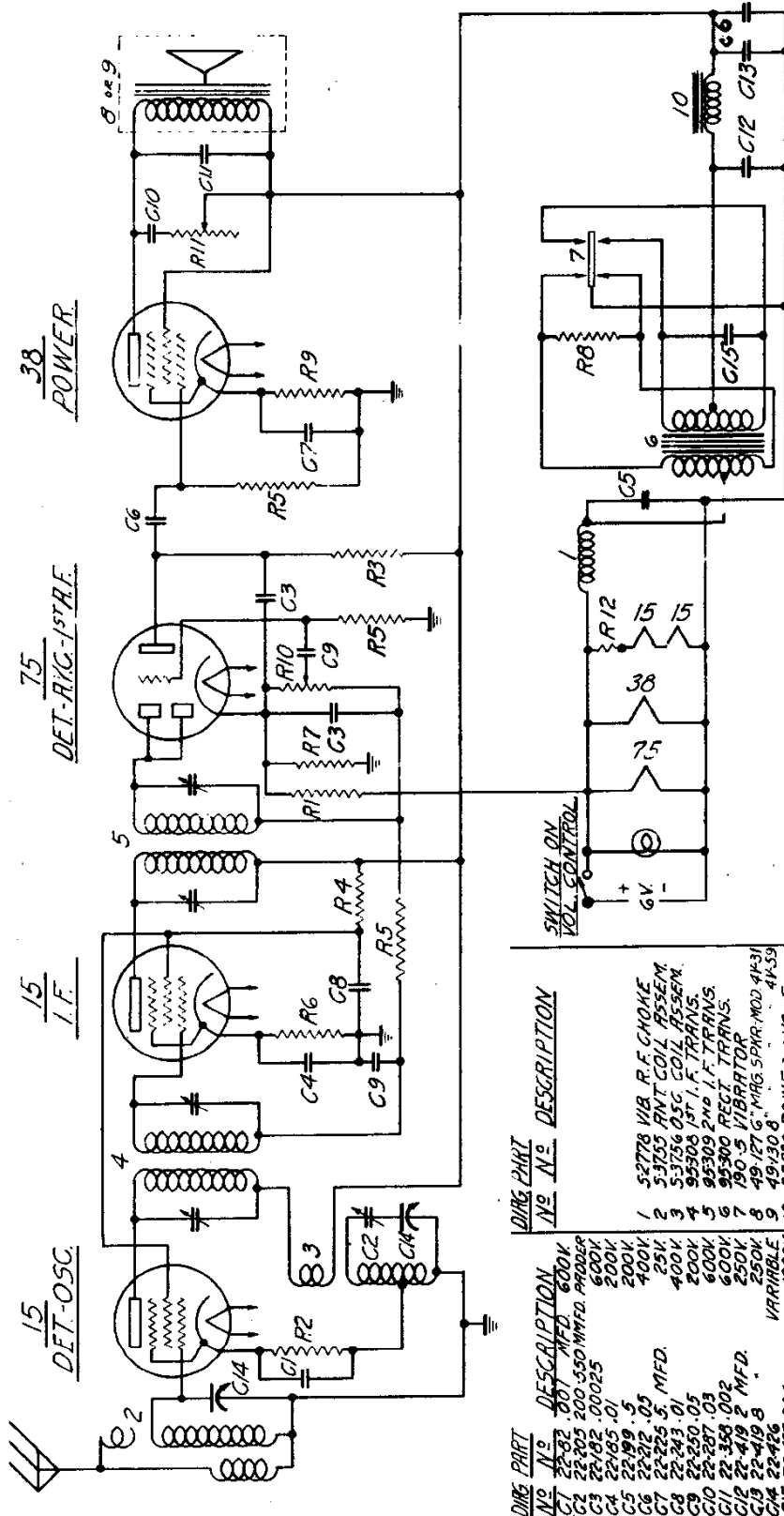
Resources

[Riders Volume 6 - ZENITH 6-19](#)

[Riders Volume 6 - ZENITH 6-20](#)

ZENITH RADIO CORP.

MODELS 4V31, 4V59
Chassis 5405
Schematic, Parts



ZENITH
4 TUBE BATTERY SUPERHETERODYNE
I.F. FREQUENCY 456 K.C.
CHASSIS No 5405
MODELS 4V31 - 4V59

ZENITH
6-22-35

TUNING RANGE 550-1700 K.C.

DWG. PART NO.	DESCRIPTION
1	52778 VIB. R.F. CHOKES
2	51765 ANT. COIL ASSEMB.
3	33756 OSC. COIL ASSEMB.
4	93508 1ST I.F. TRANS.
5	93509 2ND I.F. TRANS.
6	93500 RECT. TRANS.
7	49-127 6" VIBRATOR
8	49-127 6" MAG. SPKR. MOD. 4K31
9	49-130 8" MAG. SPKR. MOD. 4K39
10	93528 POWER CHOKES

DWG. PART NO.	DESCRIPTION	VALUE
R1	63238 1M OHMS	1M
R2	63247 5M	5M
R3	63250 490M	490M
R4	63261 29M	29M
R5	63283 990M	990M
R6	63303 700	700
R7	63376 250	250
R8	63394 200	200
R9	63418 1500	1500
R10	63463 200M	200M
R11	63463 50M	50M
R12	63476 9.1	9.1

MODELS 4V31, 4V59
Chassis 5405
Voltage, Socket, Parts
Trimmers, Alignment

ZENITH RADIO CORP.

Socket Voltages

TUBE	POSITION	Bf	Bc	Eg-1	Eg-2	Eg-3	Bp
15	1st Det. Osc.	2	8	0	115	-	155
15	I. F.	2	3.5	0	115	-	155
75	2nd Det. A.V.C.	6	1.5	0	-	-	30
38	PWR	5	14	0	155	-	148

Battery - 6 volts
Antenna and ground disconnected.
f - filament; k - cathode; g1 - control grid; g2 - screen grid; g3 - suppressor grid; p - plate.
All measurements taken from point indicated to ground using a 1000 ohm per volt D. C. meter.

Alignment

- (1) Balance intermediate transformers at 466 K.C. with service oscillator connected to grid of 15 first detector and ground.
- (2) Connect service oscillator to antenna and ground.
- (3) Adjust oscillator trimmer on gang condenser for correct dial reading at 1400 K.C.
- (4) Adjust detector trimmer on gang condenser to resonance.
- (5) Adjust oscillator paddler (located in rear of gang) meanwhile rocking pointer past 500 K.C. to combination giving greatest output.
- (6) Repeat operations 3 and 4.

PARTS AND PRICES
Chassis #5405

Models 4-V-31
4-V-59

Part No.	Description	Quantity	Price
7-7	Dial Glass and Scale Bezel and Mounting Bracket.	1	.40
28-98	Dial Scale.	1	.50
59-45	Dial Pointer and Busing Assembly.	1	.15
81-38	Dial Pulley.	1	.40
78-182	Dial Drive Shaft.	1	.10
80-69	Dial Tension Spring.	1	.02
94-200	Dial Shaft Bushing.	1	.10
100-25	6.5 Volt Dial Lamp.	1	.15
132-13	Dial Glass Retaining Ring.	1	.05
188-2	Retaining Rings.	1	.10
192-11	Dial Glass.	1	.15
196-5	Dial Glass Gasket.	1	.03
Condensers			
22-82	.001 Mfd. 600 Volts	1	.25
22-182	.00025 " 600 "	1	.12
22-185	.01 " 200 "	1	.20
22-199	.5 " 200 "	1	.35
22-205	200-550 Mfd. Padder	1	.35
22-212	.05 Mfd. 400 Volts	1	.20
22-225	5. " 25 "	1	.65
22-243	.01 " 600 "	1	.15
22-250	.05 " 200 "	1	.15
22-287	.03 " 500 "	1	.15
22-358	.002 " 300 "	1	.20
22-419	2 x 8 " 250 "	1	1.75
22-426	2-gang Variable Condenser	1	2.00
22-427	.006 Mfd. 1200 Volts	1	.15
Resistors			
53-238	1 M Ohm 1/2 Watt	1	.20
53-247	6 M " " " " "	1	.20
53-258	490 M " " " " "	1	.20
53-281	29 M " " " " "	1	.20
53-293	990 M " " " " "	1	.20
53-303	700 " " " " "	1	.20
53-378	250 " " " " "	1	.20
53-394	200 " " " " "	1	.20
53-418	1500 " " " " "	1	.20
53-468	200 M Volume Control and Switch assembly.	1	1.00
53-469	50 M Tone Control assembly.	1	.60
53-476	9.1 Ohm 1/2 Watt	1	.20
Coils and Chokes			
95-308	1st I.F. Transformer Assembly.	1	1.25
95-309	2nd I.F. Transformer Assembly.	1	1.25
S-3755	Antenna Coil Assembly.	1	1.25
S-3756	Oscillator Coil Assembly.	1	1.50
S-2778	Vibrator 1/2 V. Choke Assembly.	1	.15

