

Zenith Radio Corp.

Model: 4K422

Chassis:

Year: Pre June 1940

Power:

Circuit:

IF:

Tubes:

Bands:

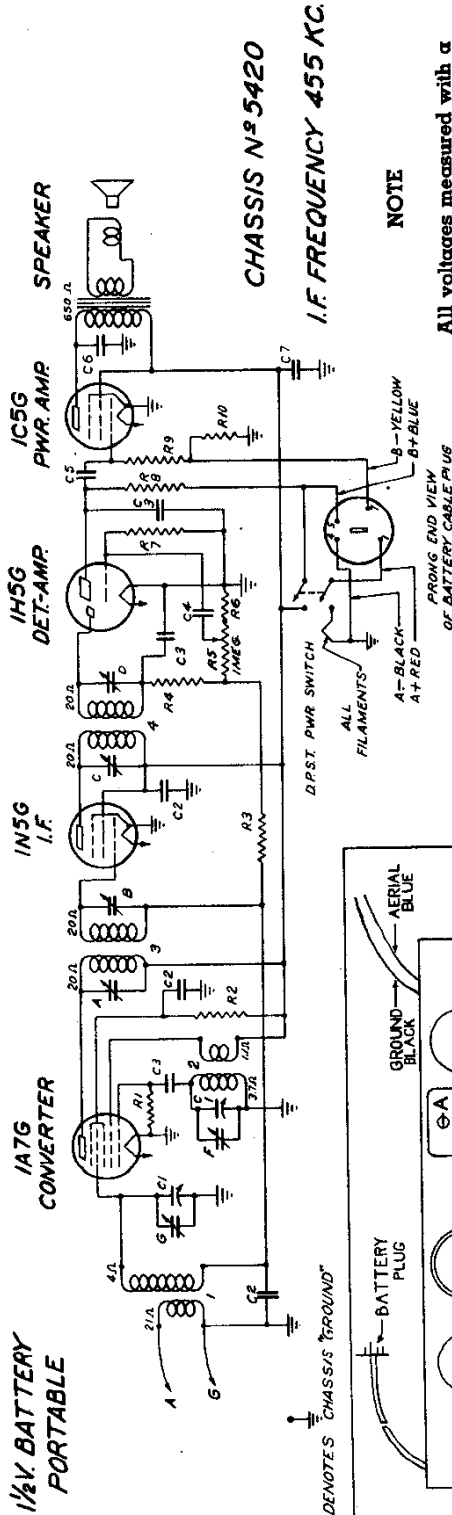
Resources

Riders Volume 11 - ZENITH 11-3

CHASSIS 5417
CHASSIS 5536
Alignment

ZENITH RADIO CORP.

MODELS 4K422, 4K435, 4K465
Chassis 5420 4K466
Schematic, Voltage, Socket
Alignment, Trimmers



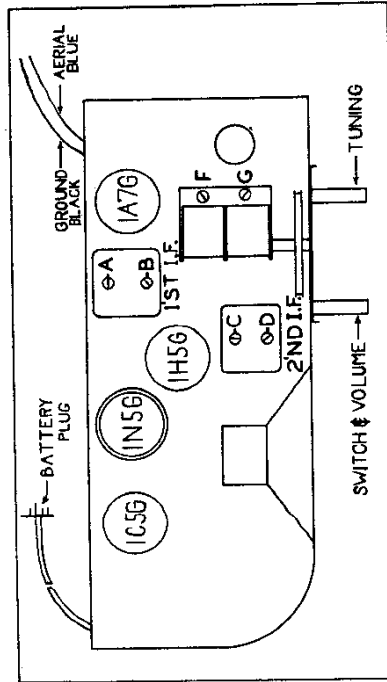
CHASSIS N° 5420
I.F. FREQUENCY 455 KC.

NOTE

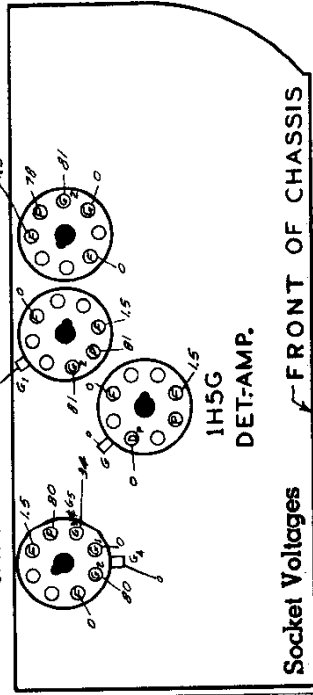
All voltages measured with a 1000 ohm per volt meter from chassis to socket contacts using a fresh Z28 battery pack.

Antenna disconnected — volume control full on.

MODEL SPEAKER
4K422 49-286 5"
4K435 49-328 6 1/2"
4K465 49-359 8"
4K466 49-342 10"



Location of Tubes and Trimmers
CONVERTER 1A7G
I.F. 1N5G
DET.-AMP. 1H5G
PWR.-AMP. 1C5G



Socket Voltages

FRONT OF CHASSIS

DWG. NO.	PART NO.	DESCRIPTION	DWG. NO.	PART NO.	DESCRIPTION
C1	22-695	TWO GANG VARIABLE	R4	63-593	47M OHM
C2	22-829	0.01 MFD.	R5	63-102	VOLUME CONTROL
C3	22-162	0.001 MFD.	R6	63-587	4700 OHM
C4	22-925	0.01 MFD.	R7	63-604	10 MEG OHM
C5	22-243	0.01 MFD.	R8	63-271	1 MEG OHM
C6	22-448	0.04 MFD.	R9	63-238	1000 OHM
C7	22-684	0.01 MFD. ELECTROLYTIC	R10	63-238	1000 OHM
P1	63-654	180M OHM	ASSEMBLY	20-298	ANTENNA COIL ASSEMBLY
P2	63-394	50M OHM	ASSEMBLY	20-298	ANTENNA COIL ASSEMBLY
P3	63-663	3.3 MEG OHM	ASSEMBLY	95-599	1ST I.F. TRANS. ASSEMBLY

ALIGNMENT PROCEDURE
For Chassis 5417, 5420 and 5536

Operation	Connect Test Oscillator to	Dummy Antenna	Band	Input Signal Frequency	Set Dial At	Adjust Trimmers	Purpose
1	1A7 Grid	1/2 Mfd.	Broadcast	455 Kc.	600 Kc.	A, B, C, D	I. F. Alignment
2	Antenna	200 Mmf.	Broadcast	1500 Kc.	1500 Kc.	F	Set Oscillator to Scale
3	Antenna	200 Mmf.	Broadcast	1400 Kc.	1400 Kc.	G	Alignment of Scale