

Zenith Radio Corp.

Model: 4K402D

Chassis:

Year: Pre June 1940

Power:

Circuit:

IF:

Tubes:

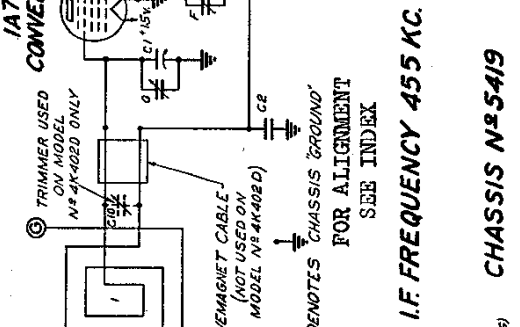
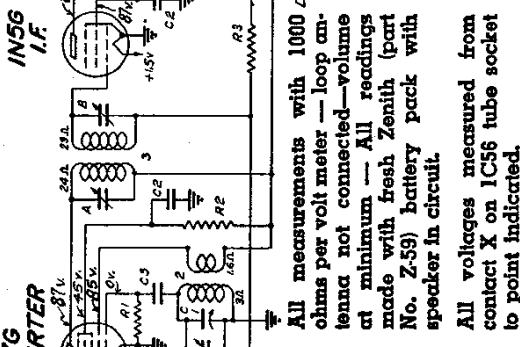
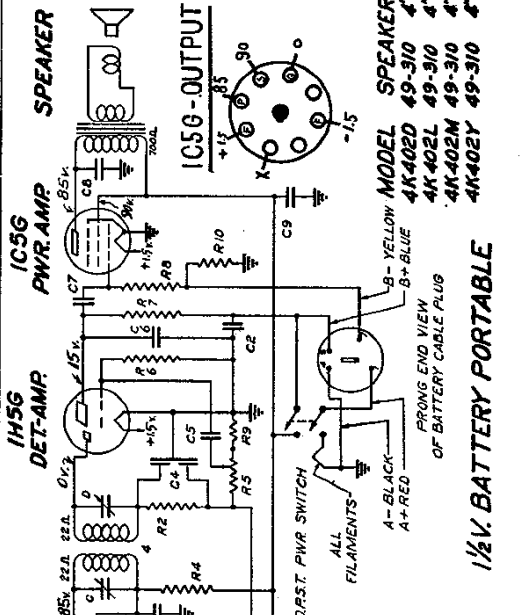
Bands:

Resources

Riders Volume 11 - ZENITH 11-2

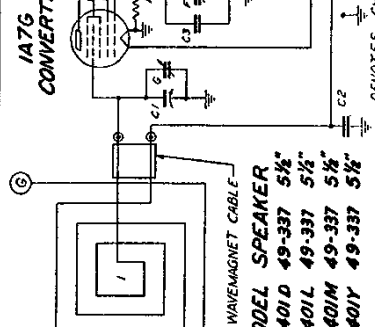
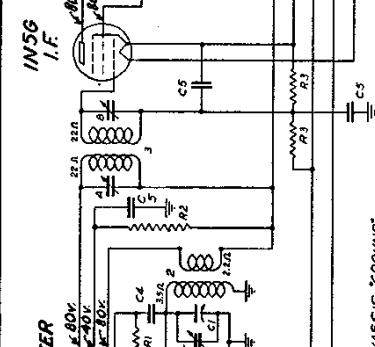
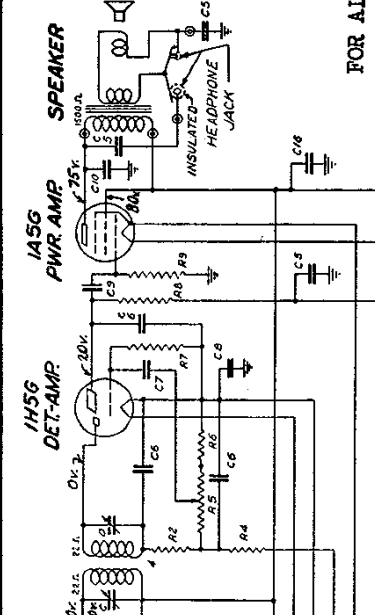
ZENITH RADIO CORP.

MODELS 4K402D, 4K402L, 4K402M
 Chassis 5419 4K402Y
 MODELS 5G401D, 5G401L, 5G401M
 Chassis 5537 5G401Y
 Schematics, Voltage



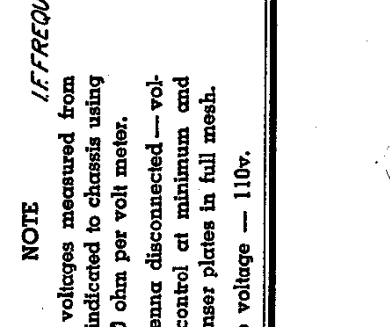
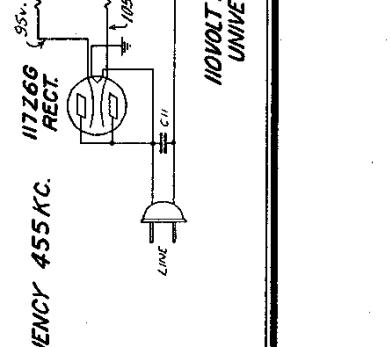
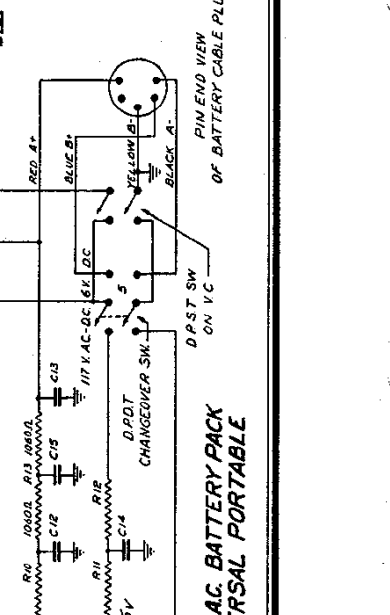
QWG NO.	PART NO.	DESCRIPTION
R1	63-652	120 M OHM
R2	63-553	47 M OHM
R3	63-669	3.9 MEGOHM
R4	63-583	1000 OHM
R5	63-1054	VOLUME CONTROL
R6	63-271	1 MEGOHM
R7	63-600	2.2 MEGOHM
R8	63-597	4700 OHM
R9	63-238	1000 OHM
R10	63-238	1000 OHM
C1	22-895	TRIMMER VARIABLE
C2	25-929	0.5 MFD.
C3		DUAL 100 MHFSD
C4	22-892	0.1 MFD.
C5	22-892	0.001 MFD.
C6	22-892	0.001 MFD.
C7	22-892	0.001 MFD.
C8	22-892	0.001 MFD.
C9	22-892	0.001 MFD.
C10	22-892	0.001 MFD.
1	57029	WAVE-MAGNET ASSEMBLY
2	57029	OSCILLATOR COIL ASSEM.
3	95-606	2 X 10 I.F. TRANS.
4	95-606	2 X 10 I.F. TRANS.
A		1ST I.F. TRANS. PRI.
B		1ST I.F. TRANS. SEC.
C		2ND I.F. TRANS. SEC.
D		BROADCAST OSC. (ON GAIN)
E		ANTENNA BROADCAST (ON GAIN)
F		ANTENNA BROADCAST (ON GAIN)
G		ANTENNA BROADCAST (ON GAIN)

© John F. Rider, Publisher



QWG NO.	PART NO.	DESCRIPTION
C1	22-895	TRIMMER VARIABLE
C2	25-929	0.5 MFD.
C3		DUAL 100 MHFSD
C4	22-892	0.1 MFD.
C5	22-892	0.001 MFD.
C6	22-892	0.001 MFD.
C7	22-892	0.001 MFD.
C8	22-892	0.001 MFD.
C9	22-892	0.001 MFD.
C10	22-892	0.001 MFD.
1	57029	WAVE-MAGNET ASSEMBLY
2	57029	OSCILLATOR COIL ASSEM.
3	95-606	2 X 10 I.F. TRANS.
4	95-606	2 X 10 I.F. TRANS.
A		1ST I.F. TRANS. PRI.
B		1ST I.F. TRANS. SEC.
C		2ND I.F. TRANS. SEC.
D		BROADCAST OSC. (ON GAIN)
E		ANTENNA BROADCAST (ON GAIN)
F		ANTENNA BROADCAST (ON GAIN)
G		ANTENNA BROADCAST (ON GAIN)

© John F. Rider, Publisher



QWG NO.	PART NO.	DESCRIPTION
C1	22-895	TRIMMER VARIABLE
C2	25-929	0.5 MFD.
C3		DUAL 100 MHFSD
C4	22-892	0.1 MFD.
C5	22-892	0.001 MFD.
C6	22-892	0.001 MFD.
C7	22-892	0.001 MFD.
C8	22-892	0.001 MFD.
C9	22-892	0.001 MFD.
C10	22-892	0.001 MFD.
1	57029	WAVE-MAGNET ASSEMBLY
2	57029	OSCILLATOR COIL ASSEM.
3	95-606	2 X 10 I.F. TRANS.
4	95-606	2 X 10 I.F. TRANS.
A		1ST I.F. TRANS. PRI.
B		1ST I.F. TRANS. SEC.
C		2ND I.F. TRANS. SEC.
D		BROADCAST OSC. (ON GAIN)
E		ANTENNA BROADCAST (ON GAIN)
F		ANTENNA BROADCAST (ON GAIN)
G		ANTENNA BROADCAST (ON GAIN)

© John F. Rider, Publisher