

Zenith Radio Corp.

Model: 4B515

Chassis:

Year: Pre April 1941

Power:

Circuit:

IF:

Tubes:

Bands:

Resources

Riders Volume 12 - ZENITH 12-1

ZENITH RADIO CORP.

MODEL 4B515, Ch. 4A01
MODEL 4B536, Ch. 4A03

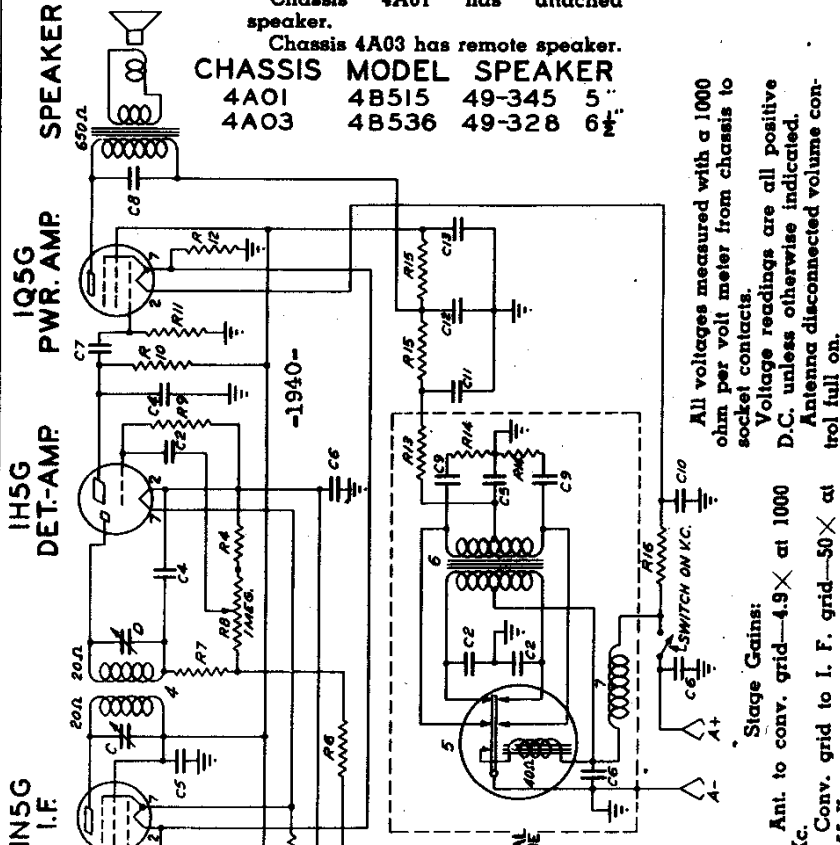
NOTE

Chassis 4A01 has attached speaker.

Chassis 4A03 has remote speaker.

CHASSIS MODEL SPEAKER

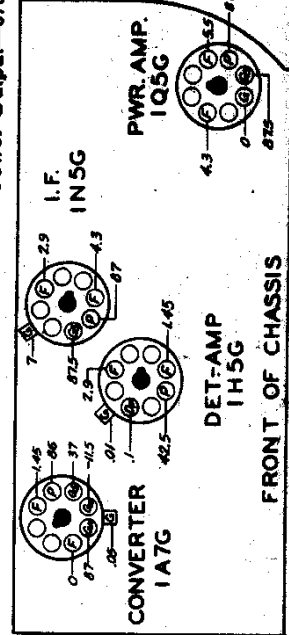
4A01	4B515	49-345	5"
4A03	4B536	49-328	6"



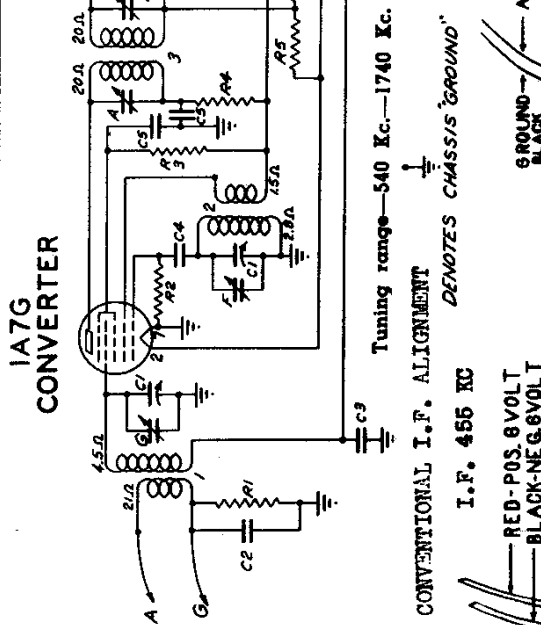
All voltages measured with a 1000 ohm per volt meter from chassis to socket contacts.
Voltage readings are all positive D.C. unless otherwise indicated.
Antenna disconnected volume control full on.
Battery voltage 6 volt.
Battery consumption—4 ampere.
Power Output—370 milliwatts.

Stage Gains:
Ant. to conv. grid—4.9X at 1000 Kc.
Conv. grid to I. F. grid—50X at 455 Kc.
Overall audio—448X at .050 watt —400 cycles.

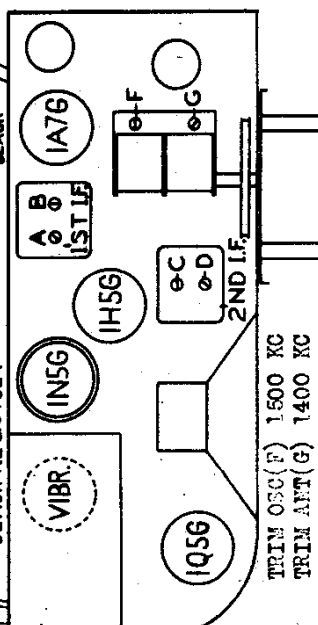
DIAG. No.	PART No.	DESCRIPTION
1	21-208	ANTENNA COIL
2	63-599	OSCILLATOR COIL ASSEMBLY
3	63-599	2ND I.F. TRANS.
4	194-390	1ST I.F. TRANS.
5	95-486	ADJUSTOR
6	5-5043	CHOKE ASSEMBLY
7	1/2 I.F. TRANS.	1/2 I.F. TRANS.
8	250 I.F. TRANS.	250 I.F. TRANS.
9	250 I.F. TRANS.	250 I.F. TRANS.
10	100 I.F. TRANS.	100 I.F. TRANS.
11	100 I.F. TRANS.	100 I.F. TRANS.
12	100 I.F. TRANS.	100 I.F. TRANS.
13	100 I.F. TRANS.	100 I.F. TRANS.
14	100 I.F. TRANS.	100 I.F. TRANS.
15	100 I.F. TRANS.	100 I.F. TRANS.
16	100 I.F. TRANS.	100 I.F. TRANS.



FRONT OF CHASSIS



Tuning range—540 Kc.—1740 Kc.
CONVENTIONAL I.F. ALIGNMENT
DEMOTES CHASSIS 'GROUND'



DIAG. No.	PART No.	DESCRIPTION	VALUE
C1	22-680	TWO GANG VARIABLE	1/4 MK
C2	22-825	0.1 MFD.	1/4 MK
C3	22-825	0.1 MFD.	1/4 MK
C4	22-182	0.001 MFD.	1/4 MK
C5	22-828	0.5 MFD.	1/4 MK
C6	22-199	5 MFD.	1/4 MK
C7	22-223	0.1 MFD.	1/4 MK
C8	22-248	0.04 MFD.	1/4 MK
C9	22-966	500 MFD. ELECTROLYTIC	1/4 MK
C10	22-967	500 MFD. ELECTROLYTIC	1/4 MK
C11	22-742	10 MFD. ELECTROLYTIC	1/4 MK
C12	63-571	100 OHM	1/4 MK
C13	63-571	1000 OHM	1/4 MK
R1	63-597	470 M OHM	1/4 MK