

Zenith Radio Corp.

Model: 4B422

Chassis:

Year: Pre June 1940

Power:

Circuit:

IF:

Tubes:

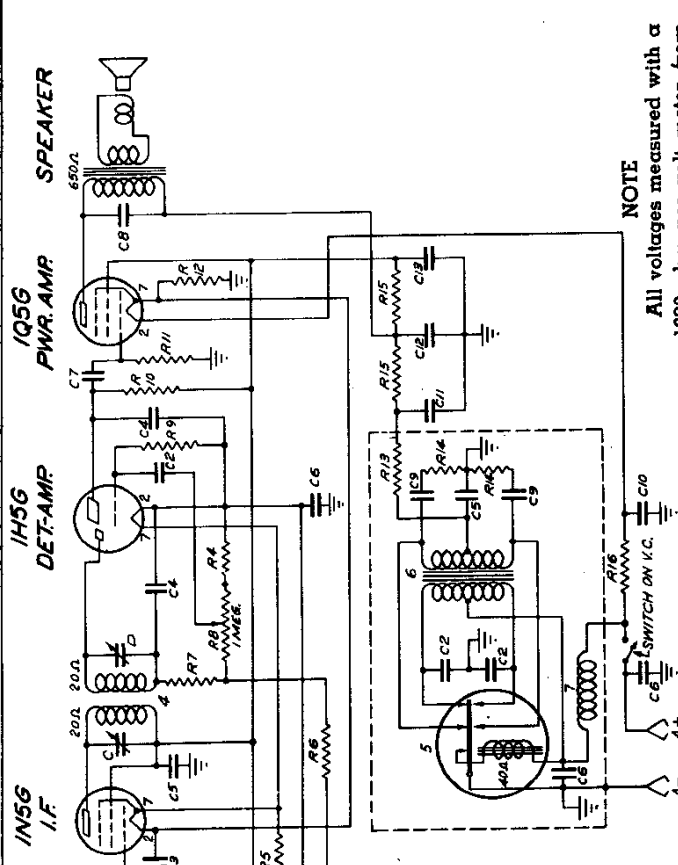
Bands:

Resources

Riders Volume 11 - ZENITH 11-1

ZENITH RADIO CORP.

MODELS 4B422, 4B466, 4B468
 Chassis 5417 4B437
 Schematic, Socket, Voltage
 Trimmers



NOTE
 All voltages measured with a 1000 ohm per volt meter from chassis to socket contacts. Voltage readings are all positive D.C. unless otherwise indicated.

Antenna disconnected volume control full on.
 Battery voltage 6 volt.
 Battery consumption — .4 ampere.

FOR ALIGNMENT
 SEE INDEX

- MODEL SPEAKER**
- 4B422 49-345 5"
 - 4B437 49-328 6 1/2"
 - 4B466 49-342 10"
 - 4B468 49-359 8"

QWG PART NO.	PART NO.	DESCRIPTION	QWG PART NO.	DESCRIPTION	QWG PART NO.	DESCRIPTION		
C1	22-695	THRU GANG VARIABLE	R2	63-595	100M OHM	1	20-208	ANTENNA COIL ASSEMBLY
C2	22-026	.01 MFD.	R3	63-595	1000 OHM	2	3-630	OSCILLATOR COIL ASSEMBLY
C3	22-026	.01 MFD.	R4	63-283	1000 OHM	3	95-599	1ST I.F. TRANS.
C4	22-026	.0001 MFD.	R5	63-298	1000 OHM	4	95-590	2ND I.F. TRANS.
C5	22-026	.05 MFD.	R6	63-663	39 MEGOHM	5	180-17	VIBRATOR
C6	22-189	.5 MFD.	R7	63-593	27M OHM	6	95-635	POWER TRANSFORMER
C7	22-943	.01 MFD.	R8	63-1079	VOLUME CONTROL	7	S-5043	CHOKES ASSEMBLY
C8	22-448	.04 MFD.	R9	63-604	10 MEGOHM			
C9	22-448	.04 MFD.	R10	63-271	1 MEGOHM	A		1ST I.F. TRANS. PRI.
C10	22-966	.001 MFD.	R11	63-271	1 MEGOHM	B		1ST I.F. TRANS. SEC.
C11	22-981	500 MFD. ELECTROLYTIC	R12	63-590	50 OHM WIREWOUND	C		2ND I.F. TRANS. PRI.
C12	22-742	10 MFD.	R13	63-577	100 OHM	D		2ND I.F. TRANS. SEC.
C13	10 MFD.		R14	63-605	1000 OHM	E		1ST I.F. TRANS. SEC.
			R15	63-605	1000 OHM	F		2ND I.F. TRANS. SEC.
			R16	63-1067	7 OHM	G		1ST I.F. TRANS. SEC.
R1	63-597	470M OHM						1ST I.F. TRANS. SEC.

I.F. FREQUENCY 455 KC.

DENOTES CHASSIS "GROUND"
 RED-POS. 6VOLT
 BLACK-NEG. 6VOLT

