

Zenith Radio Corp.

Model: 4B317

Chassis:

Year: Pre October 1938

Power:

Circuit:

IF:

Tubes:

Bands:

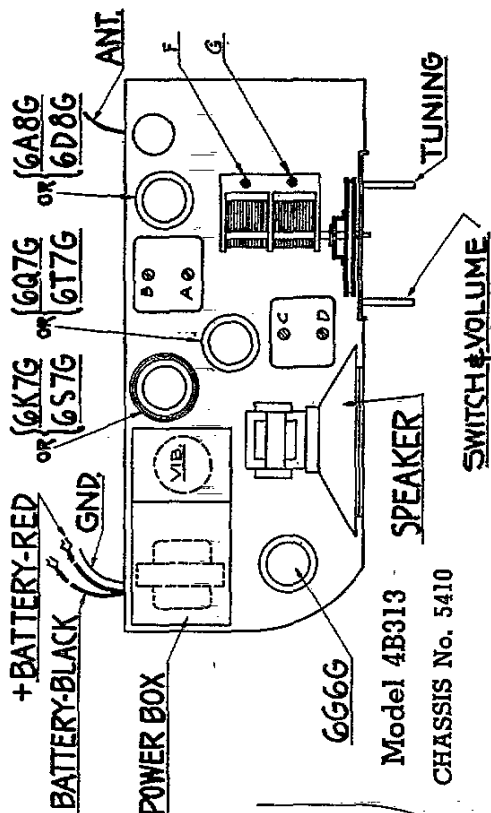
Resources

Riders Volume 9 - ZENITH 9-2

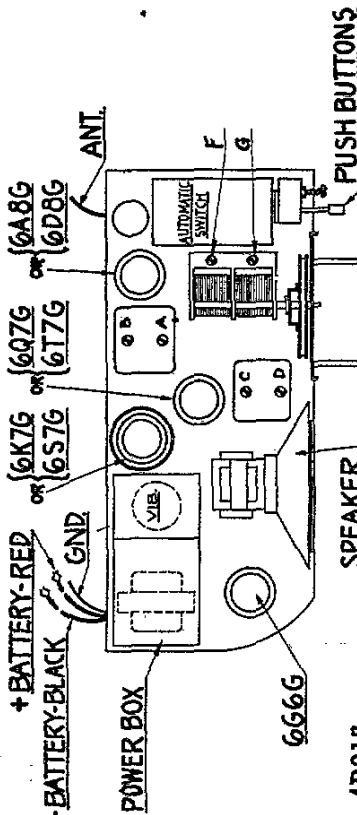
Riders Volume 9 - ZENITH 9-3

ZENITH RADIO CORP.

MODELS 4B313, 4B355
 MODELS 4B314, 4B317
 Socket, Trimmers
 Voltage, Alignment

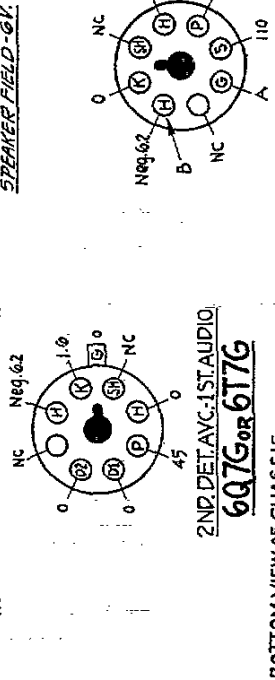
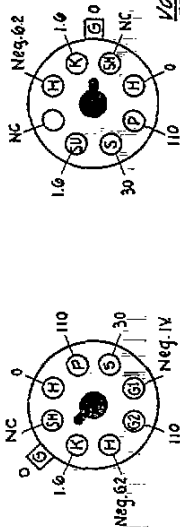


Model 4B313
 CHASSIS No. 5410



Models 4B314, 4B317
 CHASSIS No. 5411
 Location of Tubes and Trimmers

6A8G or 6D8G
 1ST DET.-OSC.
6K7G or 6S7G
 I.F.AMP.



FRONT OF CHASSIS

NOTE

Voltages measured with a 1000 ohm per volt meter from chassis to socket contacts. Antenna disconnected — volume control on full.

Battery Voltage at chassis 6.2 v.

Battery Consumption 2.3 am-pere.

(A) Bias for 6G6 measured from point "B" to chassis,

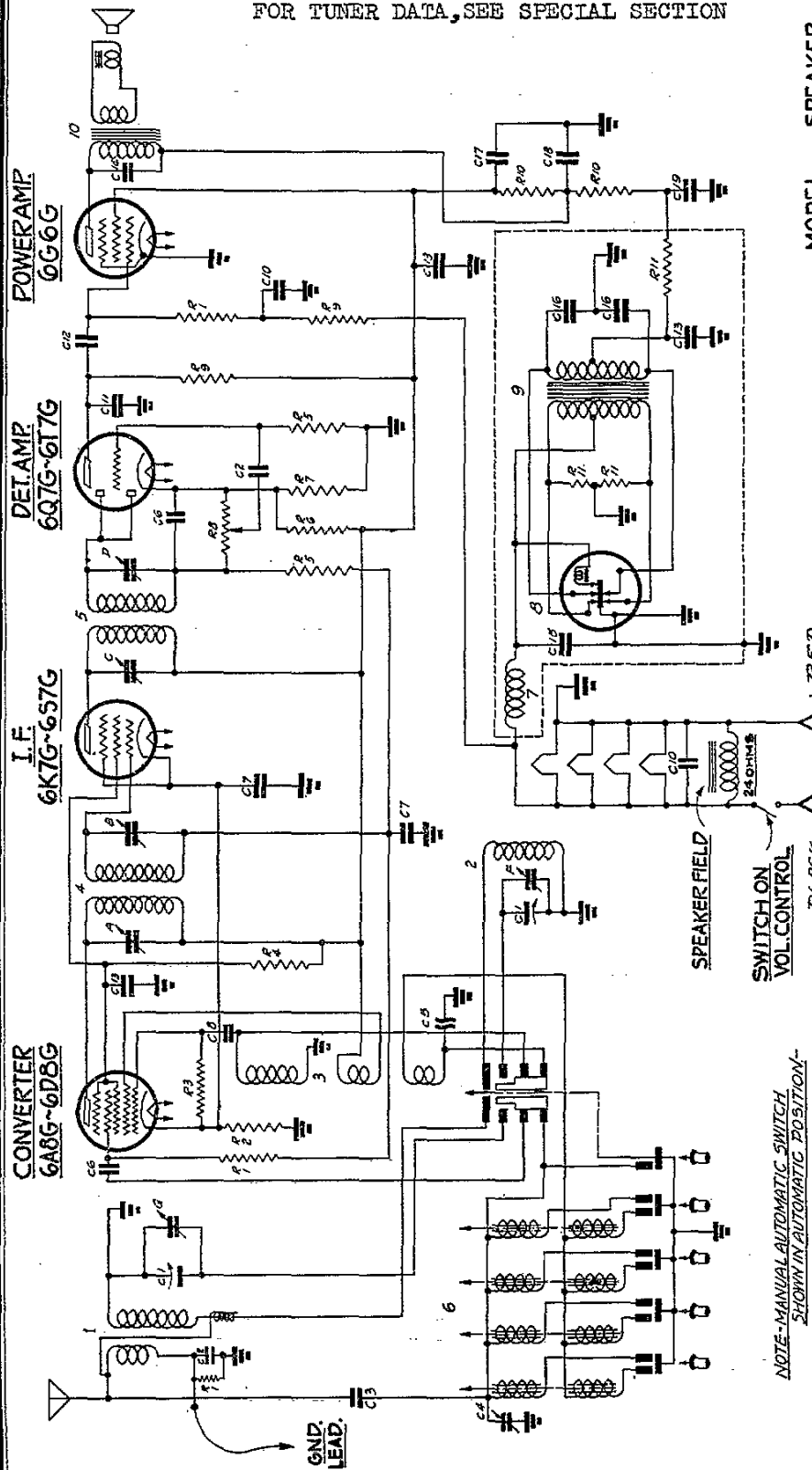
ALIGNMENT PROCEDURE

Operation	Connect Test Oscillator to	Dummy Antenna	Set Test Osc. to	Band	Set Dial At	Adjust Trimmers	Purpose
1	1st Det. Grid	1/2 Mfd.	455	Br'dc't	600	ABCD	I. F. Alignment
2	Rec. Ant. Lead	200 Mmfd.	1500	"	1500	F	Set Osc. to Scale
3	"	200 Mmfd.	1500	"	1500	G	Alignment of Ant.

ZENITH RADIO CORP.

MODELS 4B314, 4B317
Chassis 5411
Schematic, Parts

FOR TUNER DATA, SEE SPECIAL SECTION



MODEL 4-B-314
MODEL 4-B-317

SPEAKER 49-262-5*
SPEAKER 49-262-5*

I.F. FREQUENCY 455 K.C.
4 TUBE SUPERHETERODYNE
CHASSIS No 5411 - 6V SINGLE BAND
ZENITH RADIO CORPORATION
CHICAGO, ILLINOIS

NOTE - MANUAL/AUTOMATIC SWITCH SHOWN IN AUTOMATIC POSITION -

DIAG. NO.	PART NO.	DESCRIPTION	DIAG. NO.	PART NO.	DESCRIPTION
C-1	22-695	TUNING VARIABLE	4	55-513	IFT TRANS.
C-2	22-169	.01 MFD	5	55-520	IFT TRANS.
C-3	22-739	TRIMMER CONDENSER	6	1-5043	CHOKES A354M
C-4	22-739	TRIMMER CONDENSER	7	100-6	VIENATOR
C-5	22-162	COMPENSATING CONDENS.	8	95-352	POWER TRANS.
C-6	22-162	COMPENSATING CONDENS.	9	95-352	SPEAKER TRANS.
C-7	22-250	.05 MFD	10		
C-8	22-182	.0022 MFD	A		IFT TRANS. PRY
C-9	22-243	.01 MFD	B		IFT TRANS. SEC.
C-10	22-350	.25 MFD	C		END I.F. TRANS. PRY
C-11	22-147	.002 MFD	D		END I.F. TRANS. SEC.
C-12	22-186	.02 MFD	E		SPREADER SEC. (M5040)
C-13	22-212	.05 MFD	F		SPREADER SEC. (M5040)
C-14	22-444	.004 MFD	G		ANT. COIL (A317) (M5040)
C-15	22-199	.5 MFD	H		
C-16	22-669	.01 MFD			
C-17	22-739	(M5040) ELECTROLYTIC			
C-18	22-739	(M5040) ELECTROLYTIC			
C-19	22-739	(M5040) ELECTROLYTIC			