

Zenith Radio Corp.

Model: 5R686

Chassis:

Year: Pre March 1942

Power:

Circuit:

IF:

Tubes:

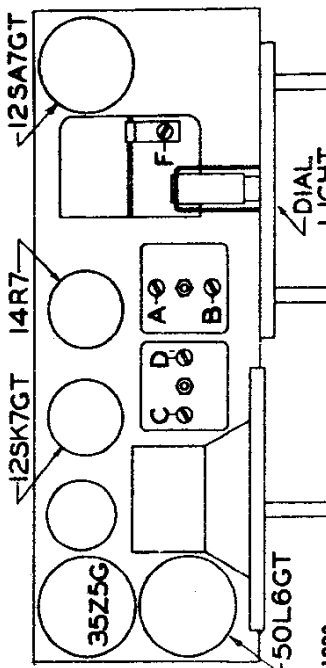
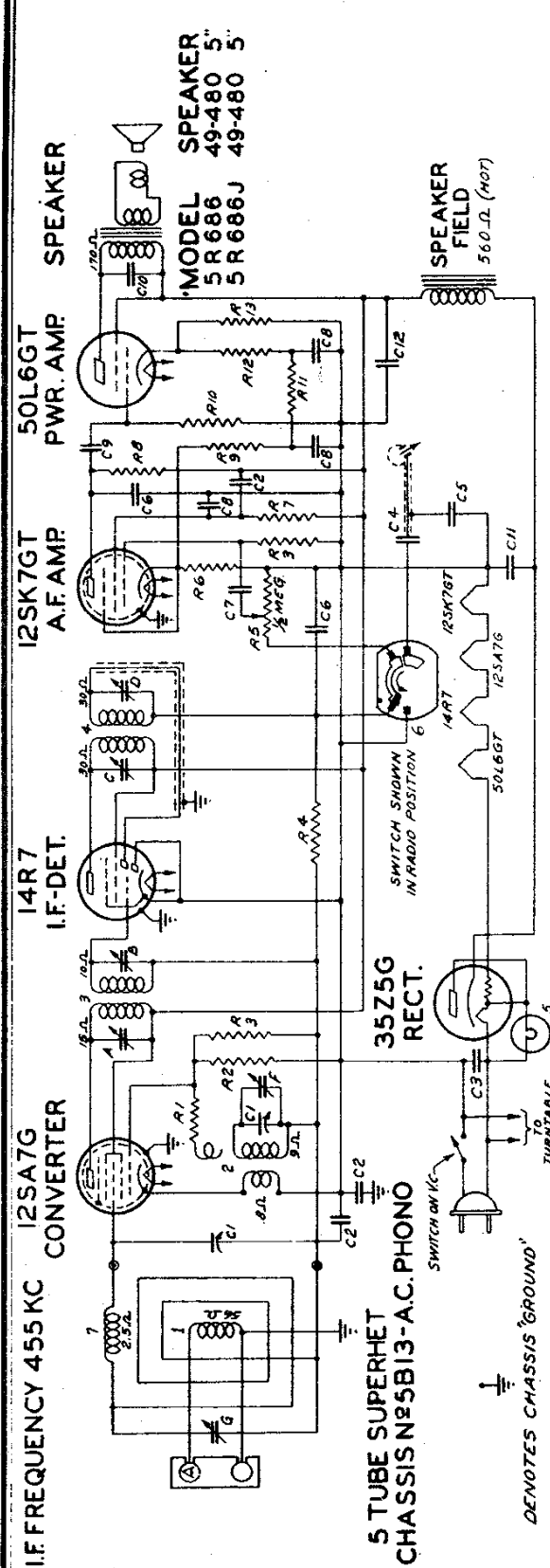
Bands:

Resources

Riders Volume 13 - ZENITH 13-12

MODELS 5R686, 5R686J
Chas. 5B13 Phono

ZENITH RADIO CORP.



DIAG. PART NO.	DESCRIPTION	DIAG. PART NO.	DESCRIPTION
C1	22-1842 TWO-GANG VARIABLE	A3	63-976 1/2 MEG OHM
C2	22-829 .05 MFD.	A4	63-600 2.2 MEG OHM
C3	22-1071 .05 MFD.	A5	63-1112 240 I.F. TRANSFORMER
C4	22-189 .00075 MFD	A6	100-67 DIAL LIGHT 6.3K. 15A.
C5	22-327 .02 MFD	A7	63-778 470M OHM
C6	22-953 .002 MFD	A8	63-445 100M OHM
C7	22-492 .002 MFD	A9	63-439 270M OHM
C8	22-827 .1 MFD.	A10	63-597 470M OHM
C9	22-788 .02 MFD.	A11	63-637 470M OHM
C10	22-182 .01 MFD.	A12	63-639 600M OHM
C11	22-182 20 MFD. ELECTROLYTIC/50V	A13	63-1015 140 OHM WIREWOUND
C12	22-1026 40MFD		
R1	63-579 220 OHM		
R2	63-589 10M OHM		
		1	S 9879 WAVEMAGNET
		2	S 9470 OSCILLATOR COIL ASSEMBLY
		3	95-B11 12 I.F. TRANSFORMER
		4	95-B12 240 I.F. TRANSFORMER
		5	100-67 DIAL LIGHT 6.3K. 15A.
		6	85-282 PHONO-RADIO SWITCH
		7	S10072 LOOP LOADING COIL
		A	12 I.F. TRANS. PRI
		B	12 I.F. SEC
		C	229 I.F. PRI
		D	229 I.F. SEC
		E	12 I.F. TRANS. SEC
		F	12 I.F. TRANS. SEC
		G	2R-1256 BROADCAST ANTENNA

Ant. to cov. grid—5.8X at 1000 Kc.
Cov. grid to I. F. grid—57X at 455 Line voltage 117 A.C. Tuning Ranges 540 Kc to 1620 Kc.
Power output 1.6 watts.
Power consumption 50 watts.

Ant. to cov. grid—5.8X at 1000 Kc.
Cov. grid to I. F. grid—57X at 455 Line voltage 117 A.C. Tuning Ranges 540 Kc to 1620 Kc.
Power output 1.6 watts.
Power consumption 50 watts.

Part No.	Connect Oscillator to	Band	Trimmers	Purpose
12SA7G CONVERTER	11AC			
14R7 I.F. DET. AF AMP	11AC			
12SK7GT A.F. AMP	116			
50L6GT PWR. AMP	82AC	BC	A, B, C, D	Align I.F.
35Z5G RECTIFIER	34AC			
	84			
	85			
	0			
	3			