

Zenith Radio Corp.

Model: 5R303

Chassis:

Year: Pre October 1938

Power:

Circuit:

IF:

Tubes:

Bands:

Resources

Riders Volume 9 - ZENITH 9-7

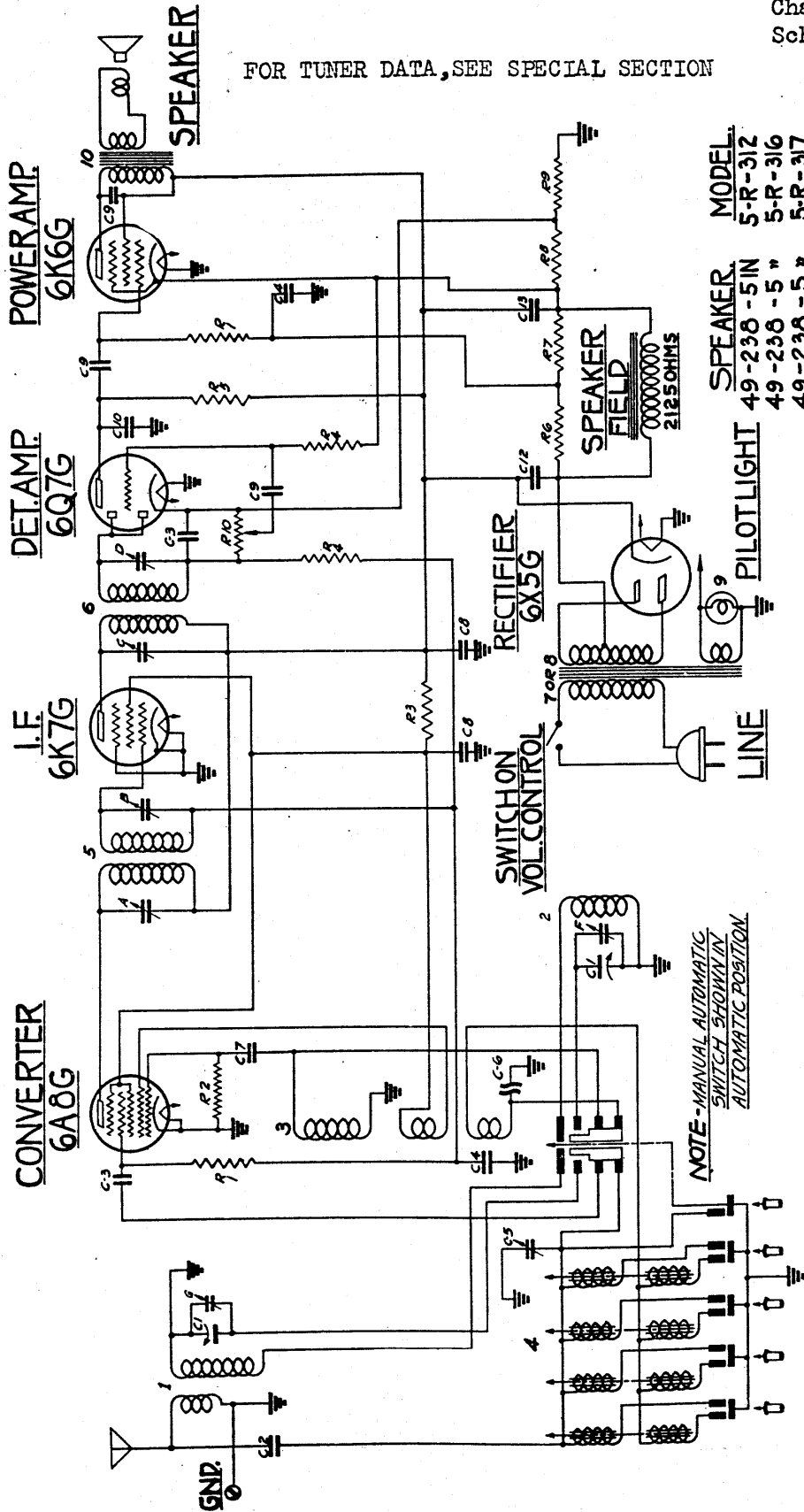
Riders Volume 9 - ZENITH 9-8

ZENITH RADIO CORP.

MODELS 5R312, 5R316, 5R317
5R337, 5R303

Chassis 5528
Schematic, Parts

FOR TUNER DATA, SEE SPECIAL SECTION



SPEAKER MODEL:
 49-238-5IN 5-R-312
 49-238-5" 5-R-316
 49-238-5" 5-R-317
 49-238-5" 5-R-337
 49-238-5" 5-R-303

I.F. FREQUENCY 455 K.C.
5 TUBE SUPERHETERODYNE
CHASSIS NO. 5528 A.C.
ZENITH RADIO CORPORATION
CHICAGO, ILL.

PART NO.	DESCRIPTION	PART NO.	DESCRIPTION	DIAG. NO.	DESCRIPTION
C-1 22-695	750 GANG VAR. COND.	R-1 25-597	470 M OHM	4	1ST I.F. TRANS.
C-2 22-289	50 M MFD	R-2 25-593	47 M OHM	5	2ND I.F. TRANS.
C-3 22-162	.0001 MFD	R-3 25-208	12 M OHM	6	2ND I.F. TRANS. (100K. 50-60~)
C-4 22-250	.05 MFD	R-4 25-271	1 MEG OHM	7	POWER TRANS. 25~
C-5 22-519	TRIMMER COND.	R-5 25-296	220 M OHM	8	POWER TRANS. 25~
C-6 22-729	COMPENSATING COND.	R-6 25-650	390 M OHM	9	PILOT LIGHT .25A 6.3V
C-7 22-112	.0025 MFD.	R-7 25-260	100 M OHM	10	5 TRANS. P TRANS
C-8 22-212	.05 MFD.	R-8 25-573	80 OHM WIRE WOUND	A	1ST I.F. TRANS. PRI.
C-9 22-198	.01 MFD.	R-9 25-606	150 OHM WIRE WOUND	B	1ST I.F. TRANS. SEC.
C-10 22-147	.0005 MFD	R-10 25-955	220 M OHM VAR. COND.	C	2ND I.F. TRANS. PRI
C-11 22-691	8 MFD ELECTROLYTIC	5-2008	ANTENNA COIL ASSEMB.	D	2ND I.F. TRANS. SEC.
C-12 22-692	8 MFD ELECTROLYTIC	5-6039	OSC. COIL ASSEMB.	E	BROADCAST OSC. (20K. 45K)
		20-127	COMPENSATING COIL	F	ANTENNA. BRD. CABT. (10/6/MS)

NOTE - MANUAL AUTOMATIC SWITCH SHOWN IN AUTOMATIC POSITION.

