

## Zenith Radio Corp.

**Model: 5R236**

**Chassis:**

**Year: Pre October 1937**

**Power:**

**Circuit:**

**IF:**

**Tubes:**

**Bands:**

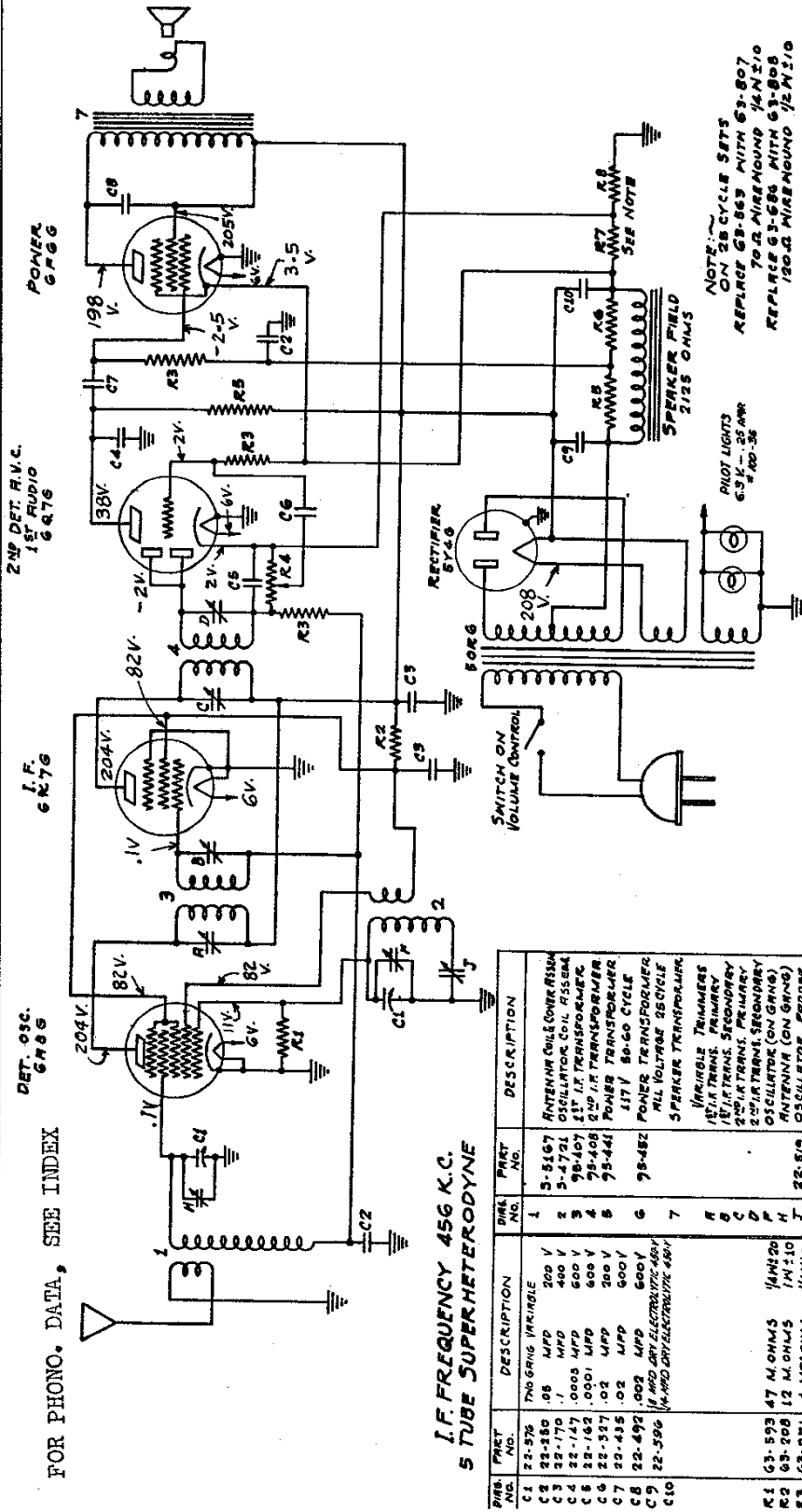
**Resources**

**Riders Volume 8 - ZENITH 8-14**

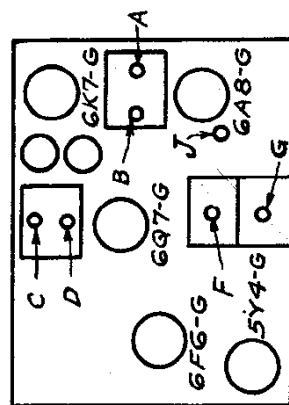
MODELS 5R216, 5R226, 5R236  
Chassis 5526

ZENITH RADIO CORP.

Schematic, Voltage, Parts  
Socket, Trimmers, Alignment



NOTE: ON 25 CYCLE SETS  
REPLACE 6Y-6 WITH 6Y-607  
REPLACE 6Y-608 WITH 6Y-608  
REPLACE 6Y-608 WITH 6Y-608  
150.0 MERRIMOUNT 1/2M.210



**ALIGNMENT PROCEDURE**

| Operation | Connect Test Oscillator to— | Dummy Antenna | Set Test Osc. to | Band    | Set Dial At | Adjust Trimmers | Purpose                           |
|-----------|-----------------------------|---------------|------------------|---------|-------------|-----------------|-----------------------------------|
| 1         | 1st Det. Grid               | 1/2 Mfd.      | 456              | Br'dc't | 600         | ABCD            | I. F. Alignment                   |
| 2         | Rec. Ant. Lead              | 200 Mmfd.     | 1500             | "       | 1500        | F               | Set Osc. to Scale                 |
| 3         | " " "                       | 200 Mmfd.     | 1500             | "       | 1500        | G               | Align of Ant.                     |
| 4         | " " "                       | 200 Mmfd.     | 600              | "       | 600         | J               | Rock gang & adj. for max. output. |
| 5         | " " "                       | 200 Mmfd.     | 1500             | "       | 1500        | FG              | Repeat 3 & 4.                     |

**I. F. FREQUENCY 456 K.C.  
5 TUBE SUPERHETERODYNE**

| PART NO. | DESCRIPTION | QTY                           | DESCRIPTION               |
|----------|-------------|-------------------------------|---------------------------|
| C1       | 22-576      | 1                             | ANTENNA COIL COVER RESIN  |
| C2       | 22-280      | .05                           | OSCILLATOR COIL RESIN     |
| C3       | 22-170      | .1                            | 2ND I.F. TRANSFORMER      |
| C4       | 22-170      | .0005                         | 1ST I.F. TRANSFORMER      |
| C5       | 22-163      | .0001                         | 2ND I.F. TRANSFORMER      |
| C6       | 22-537      | .02                           | POWER TRANSFORMER         |
| C7       | 22-435      | .02                           | 117 V 60-CYCLE            |
| C8       | 22-492      | .002                          | POWER TRANSFORMER         |
| C9       | 22-536      | 1/4 MFD DRY ELECTROLYTIC 450V | ALL VOLTAGE RESISTORS     |
| C10      | 22-536      | 1/4 MFD DRY ELECTROLYTIC 450V | SPEAKER TRANSFORMER       |
| R1       | 63-593      | 47 M. OHMS                    | IRREDUCIBLE TRIMMERS      |
| R2       | 63-208      | 12 M. OHMS                    | 1ST I.F. TRANS. PRIMARY   |
| R3       | 63-271      | 1 MEG OHMS                    | 2ND I.F. TRANS. PRIMARY   |
| R4       | 63-549      | 400 M. OHMS VOL. CONTROL      | 2ND I.F. TRANS. SECONDARY |
| R5       | 63-597      | 470 M. OHMS                   | OSCILLATOR (ON GRND)      |
| R6       | 63-654      | 180 M. OHMS                   | ANTENNA (ON GRND)         |
| R7       | 63-563      | 80 OHM MERRIMOUNT 1/2M.210    | OSCILLATOR, PROPER        |
| R8       | 63-686      | 150 OHM MERRIMOUNT 1/2M.210   |                           |