

Zenith Radio Corp.

Model: 5R226

Chassis:

Year: Pre October 1937

Power:

Circuit:

IF:

Tubes:

Bands:

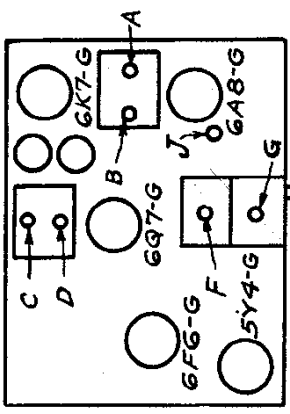
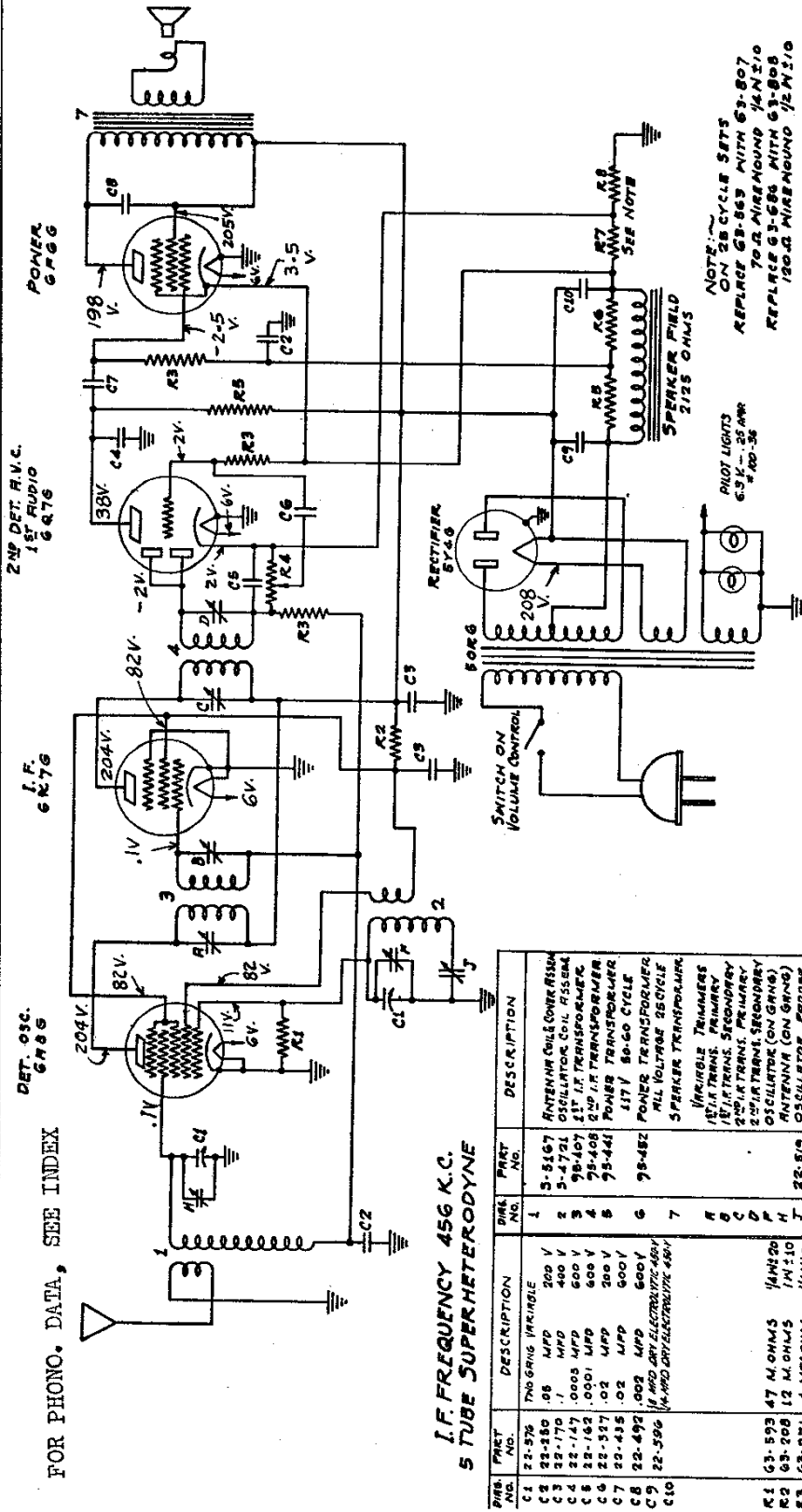
Resources

Riders Volume 8 - ZENITH 8-14

MODELS 5R216, 5R226, 5R236
Chassis 5526

ZENITH RADIO CORP.

Schematic, Voltage, Parts
Socket, Trimmers, Alignment



NOTE: ON 25 CYCLE SETS
REPLACE 6B-669 WITH 6B-807
REPLACE 6A-680 WITH 6A-710
REPLACE 6X-680 WITH 6X-808
150.0 MURKOUND 1/2M.210

PILOT LIGHTS
6.3V - 25 AMP
100-35

ALIGNMENT PROCEDURE

Operation	Connect Test Oscillator to—	Dummy Antenna	Set Test Osc. to	Band	Set Dial At	Adjust Trimmers	Purpose
1	1st Det. Grid	1/2 Mfd.	456	Br'dc't	600	ABCD	I. F. Alignment
2	Rec. Ant. Lead	200 Mmfd.	1500	"	1500	F	Set Osc. to Scale
3	" " "	200 Mmfd.	1500	"	1500	G	Align of Ant.
4	" " "	200 Mmfd.	600	"	600	J	Rock gang & adj. for max. output.
5	" " "	200 Mmfd.	1500	"	1500	FG	Repeat 3 & 4.

**I. F. FREQUENCY 456 K.C.
5 TUBE SUPERHETERODYNE**

PART NO.	DESCRIPTION	PART NO.	DESCRIPTION
C1	22-576	1	5-8167
C2	22-380	2	ANTENNA COIL OVER RESON
C3	22-170	3	5-4721
C4	22-170	4	OSILLATOR COIL RESONANCE
C5	22-163	5	95-407
C6	22-537	6	517 I.F. TRANSFORMER
C7	22-435	7	95-408
C8	22-492	8	2ND I.F. TRANSFORMER
C9	22-536	9	95-441
C10		10	117 V 60-60 CYCLE
		11	95-482
		12	POWER TRANSFORMER
		13	ALL VOLTAGE RESISTOR
		14	SPEAKER TRANSFORMER
		15	IRREDUCIBLE TRIMMERS
		16	157A TUBES, PRIMARY
		17	157A TUBES, SECONDARY
		18	250 V I.R. TRANS. PRIMARY
		19	250 V I.R. TRANS. SECONDARY
		20	OSCILLATOR (ON GRND)
		21	ANTENNA (ON GRND)
		22	OSCILLATOR, PROPER
R1	63-593	47 M. OHMS	1/4W.20
R2	63-208	12 M. OHMS	1/4W.10
R3	63-271	1 MEG OHMS	1/4W.10
R4	63-549	500 M. OHMS VOL. CONTROL	1/4W.20
R5	63-597	470 M. OHMS	1/4W.10
R6	63-654	180 M. OHMS	1/4W.10
R7	63-563	80 OHMS MURKOUND	1/4W.10
R8	63-686	1500 OHMS MURKOUND	1/4W.10