

## Zenith Radio Corp.

**Model:** 5R216

**Chassis:**

**Year:** Pre October 1937

**Power:**

**Circuit:**

**IF:**

**Tubes:**

**Bands:**

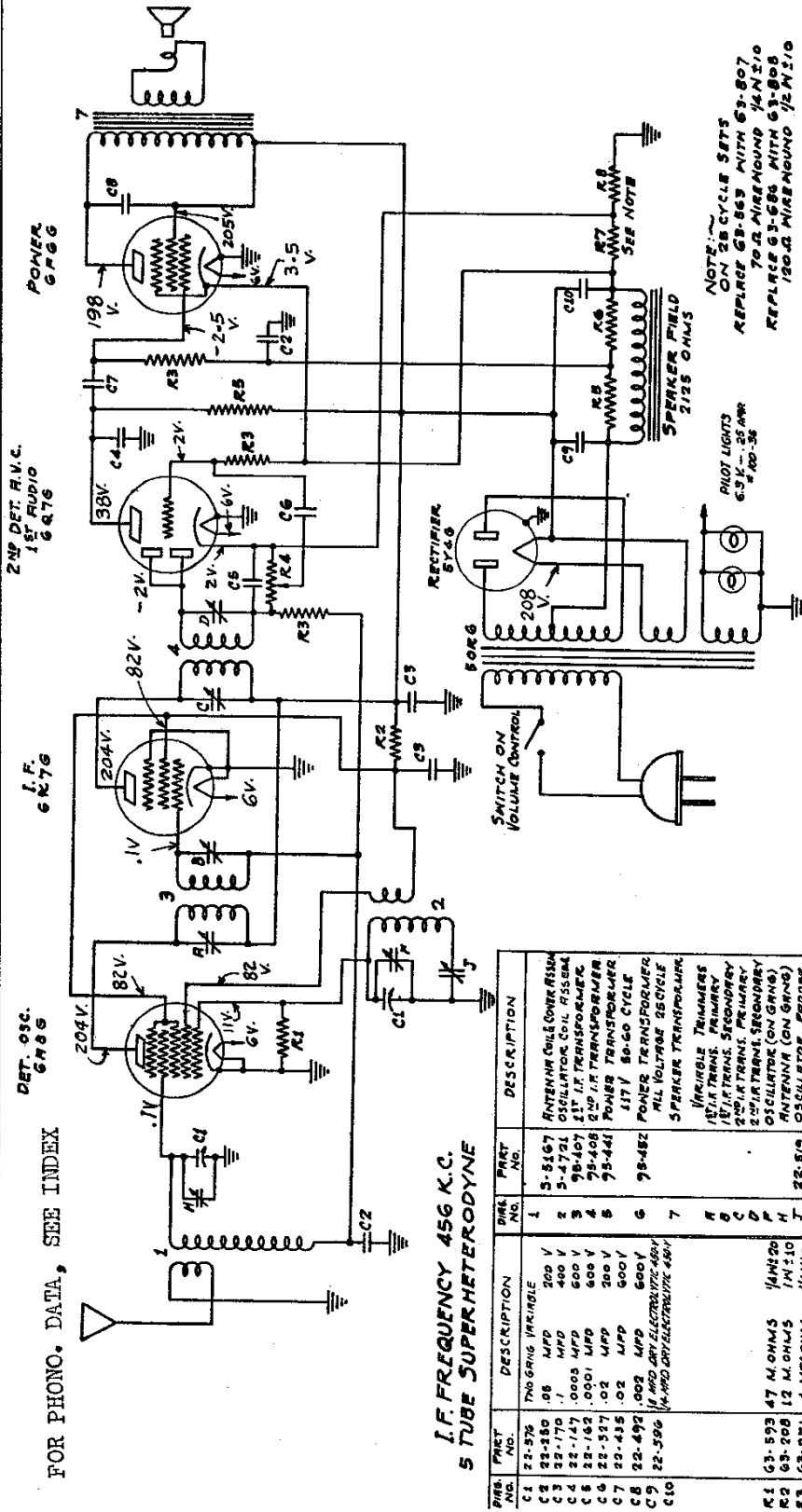
Resources

**Riders Volume 8 - ZENITH 8-14**

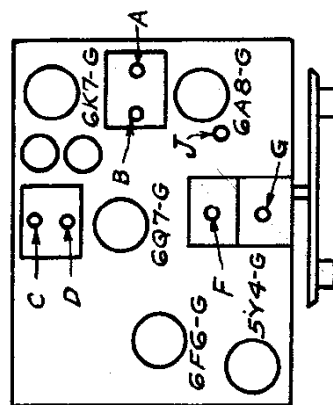
MODELS 5R216, 5R226, 5R236  
Chassis 5526

ZENITH RADIO CORP.

Schematic, Voltage, Parts  
Socket, Trimmers, Alignment



NOTE: ON 25 CYCLE SETS  
REPLACE 6B-869 WITH 6B-807  
REPLACE 6C-583 WITH 6C-508  
REPLACE 6C-583 WITH 6C-508  
150.0 MIREOUND 1/2M.210



**ALIGNMENT PROCEDURE**

Operation	Connect Test Oscillator to—	Dummy Antenna	Set Test Osc. to	Band	Set Dial At	Adjust Trimmers	Purpose
1	1st Det. Grid	1/2 Mfd.	456	Br'dc't	600	ABCD	I. F. Alignment
2	Rec. Ant. Lead	200 Mmfd.	1500	"	1500	F	Set Osc. to Scale
3	" " "	200 Mmfd.	1500	"	1500	G	Align of Ant.
4	" " "	200 Mmfd.	600	"	600	J	Rock gang & adj. for max. output.
5	" " "	200 Mmfd.	1500	"	1500	FG	Repeat 3 & 4.

**I. F. FREQUENCY 456 K.C.  
5 TUBE SUPERHETERODYNE**

PART NO.	DESCRIPTION	QTY	DESCRIPTION
C1	22-576	1	ANTENNA COIL OVER RESON
C2	22-380	.05	OSCILLATOR COIL RESON
C3	22-170	.1	2ND I.F. TRANSFORMER
C4	22-170	.0005	1ST I.F. TRANSFORMER
C5	22-163	.0001	2ND I.F. TRANSFORMER
C6	22-537	.02	POWER TRANSFORMER
C7	22-435	.02	117 V 60-CYCLE
C8	22-492	.002	POWER TRANSFORMER
C9	22-536	1/4 MFD DRY ELECTROLYTIC 45V	ALL VOLTAGE RESISTOR
C10		1/4 MFD DRY ELECTROLYTIC 45V	SPEAKER TRANSFORMER
R1	63-593	47 M. OHMS	IRREDUCIBLE TRIMMERS
R2	63-208	12 M. OHMS	1ST I.F. TRANS. PRIMARY
R3	63-271	1 MEG OHMS	2ND I.F. TRANS. PRIMARY
R4	63-549	400 M. OHMS VOL. CONTROL	2ND I.F. TRANS. SECONDARY
R5	63-597	470 M. OHMS	OSCILLATOR (ON GRND)
R6	63-654	180 M. OHMS	ANTENNA (ON GRND)
R7	63-583	80 OHM MIREOUND 1/2M.210	OSCILLATOR, PROPP
R8	63-686	1500 OHM MIREOUND 1/2M.210	