

## Zenith Radio Corp.

**Model: 5L228**

**Chassis:**

**Year: Pre August 1939**

**Power:**

**Circuit:**

**IF:**

**Tubes:**

**Bands:**

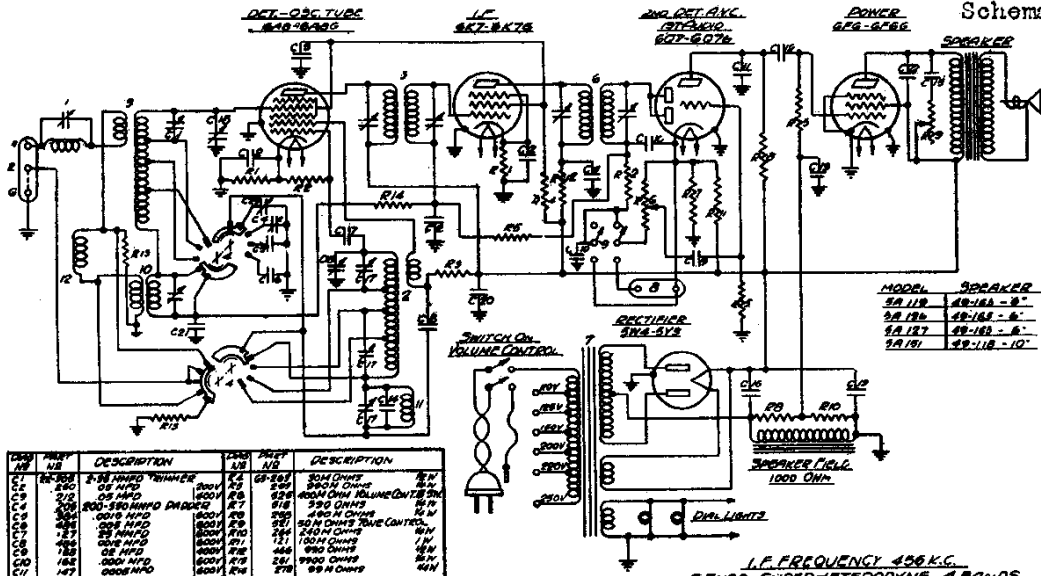
**Resources**

**Riders Volume 10 - ZENITH 10-15**

ZENITH RADIO CORP.

MODELS 5A119, 5A126  
5A127, 5A151, Ch. 5517A  
MODELS 5L228, 5L237  
Chassis 5525A

Schematics



QTY	PART NO.	DESCRIPTION	QTY	PART NO.	DESCRIPTION
1	6A1-250	1ST DET. OSC.	1	6E6-6E6	POWER
1	6A2-250	I.F.	1	58A-512	RECTIFIER
1	6A2-250	2ND DET. AVC.	1	58A-512	RECTIFIER
1	6E6-6E6	POWER	1	58A-512	RECTIFIER
1	58A-512	RECTIFIER	1	58A-512	RECTIFIER
1	58A-512	RECTIFIER	1	58A-512	RECTIFIER
1	58A-512	RECTIFIER	1	58A-512	RECTIFIER
1	58A-512	RECTIFIER	1	58A-512	RECTIFIER
1	58A-512	RECTIFIER	1	58A-512	RECTIFIER
1	58A-512	RECTIFIER	1	58A-512	RECTIFIER

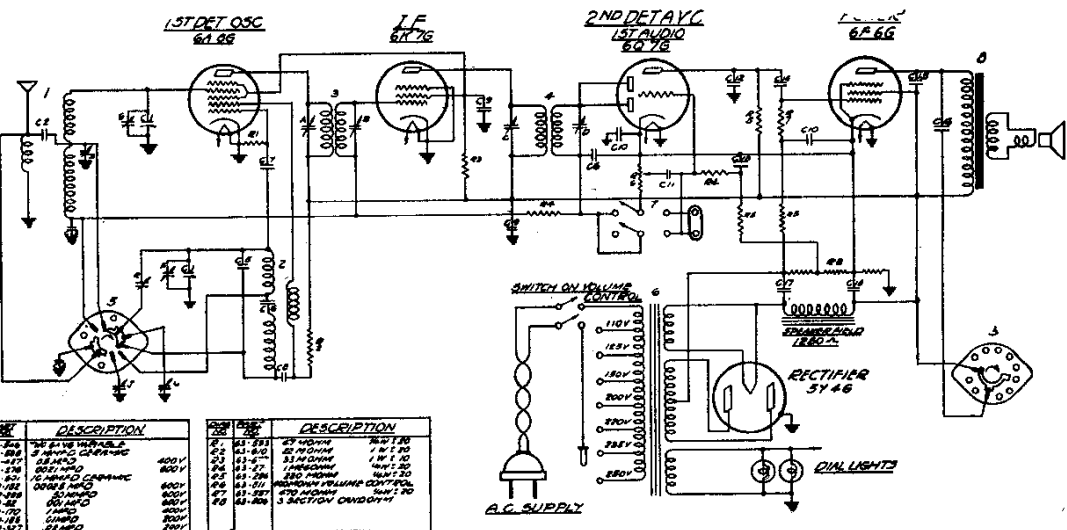
MODEL 58A-512  
5A 119 58A-512 - 8"  
5A 126 58A-512 - 8"  
5A 127 58A-512 - 6"  
5A 151 58A-512 - 10"

I.F. FREQUENCY 456 KC.  
STUBE SUPERHETERODYNE - 4 BANDS  
CHASSIS NO 5517A

BAND	COLOR	KILOCYCLES
A	Green	492-1640
B	Yellow	1750-6040
C	Red	5520-19000
D	Blue	148-400

The total consumption is 55-watts. Power output 3 watts.

FOR OTHER DATA, SEE INDEX



QTY	PART NO.	DESCRIPTION	QTY	PART NO.	DESCRIPTION
1	6A1-250	1ST DET. OSC.	1	6E6-6E6	POWER
1	6A2-250	I.F.	1	5Y-46	RECTIFIER
1	6A2-250	2ND DET. AVC.	1	5Y-46	RECTIFIER
1	6A2-250	1ST AUDIO	1	5Y-46	RECTIFIER
1	6E6-6E6	POWER	1	5Y-46	RECTIFIER
1	5Y-46	RECTIFIER	1	5Y-46	RECTIFIER
1	5Y-46	RECTIFIER	1	5Y-46	RECTIFIER
1	5Y-46	RECTIFIER	1	5Y-46	RECTIFIER
1	5Y-46	RECTIFIER	1	5Y-46	RECTIFIER
1	5Y-46	RECTIFIER	1	5Y-46	RECTIFIER

I.F. FREQUENCY 456 KC.  
STUBE SUPERHETERODYNE  
2-BAND LONG WAVE  
CHASSIS NO-5525A  
ZENITH RADIO CORPORATION  
CHICAGO, ILLINOIS

The total consumption is 65 watts.  
Power output 4.5 watts.