

## Zenith Radio Corp.

**Model:** 5G534

**Chassis:**

**Year:** Pre April 1941

**Power:**

**Circuit:**

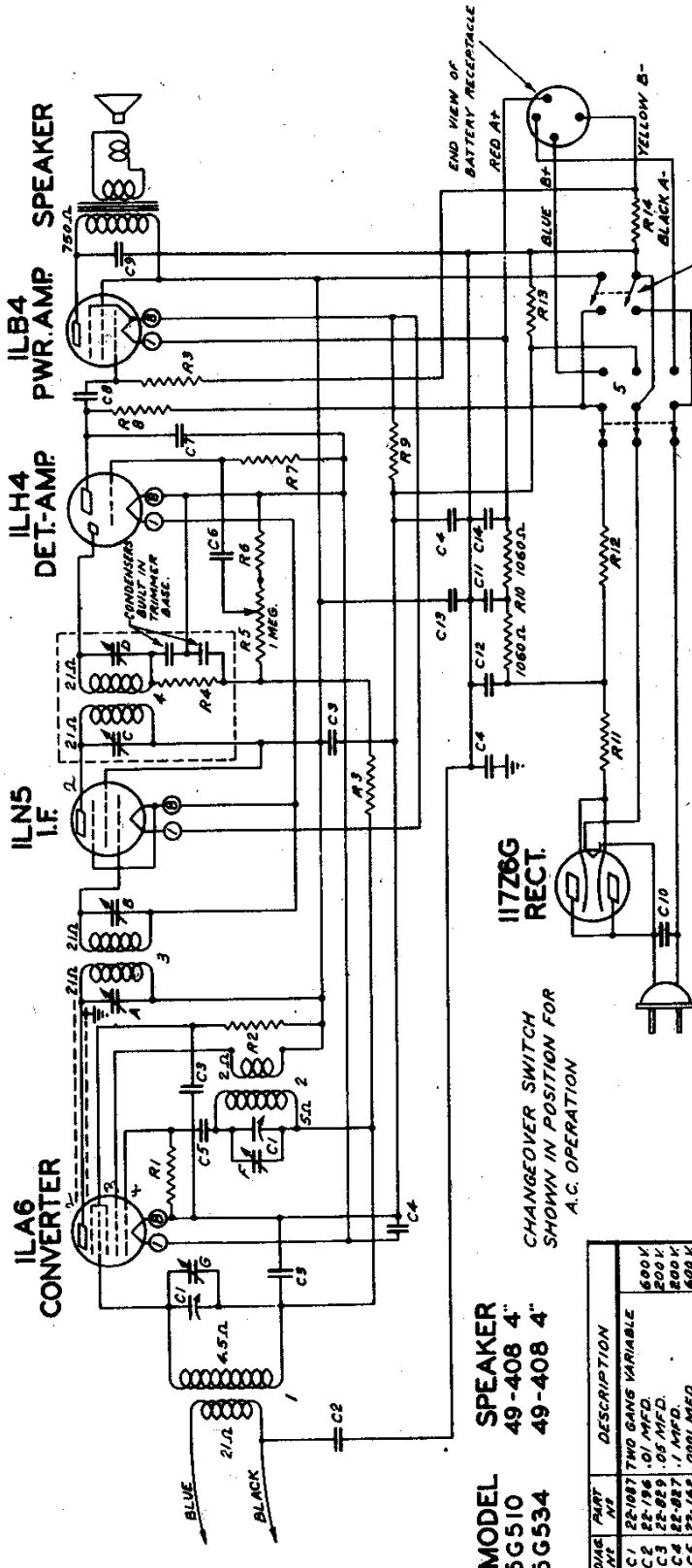
**IF:**

**Tubes:**

**Bands:**

Resources

**Riders Volume 12 - ZENITH 12-5**

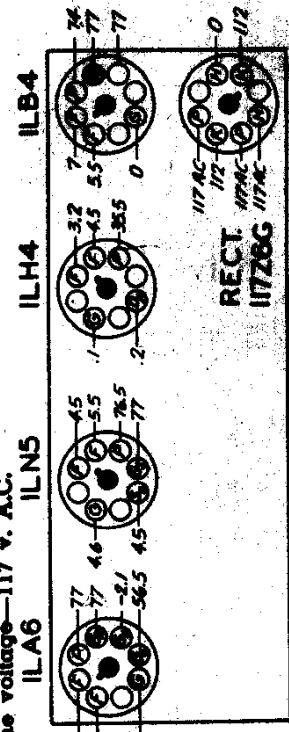


**MODEL 5G510 5G534**  
**SPEAKER 49-408 4"**  
**49-408 4"**

PART NO.	DESCRIPTION
C1	22-1087 TWO GANG VARIABLE 600V
C2	22-196 .01 MFD. 500V
C3	22-629 .05 MFD. 500V
C4	22-627 .1 MFD. 500V
C5	22-182 .001 MFD. 600V
C6	22-472 .002 MFD. 600V
C7	22-248 .01 MFD. 600V
C8	22-448 .004 MFD. 600V
C9	22-849 .05 MFD. 600V
C10	22-1028 .001 MFD. 250V
C11	22-1028 .001 MFD. 250V
C12	22-1027 .001 MFD. 250V
C13	22-1027 .001 MFD. 250V
C14	22-1027 .001 MFD. 250V
R1	63-654 100 OHM 1/4W
R2	63-646 330 OHM 1/4W
R3	63-686 22 MEGOHM 1/4W
R4	63-713 47 M OHM 1/4W
R5	63-782 100 OHM 1/4W
R6	63-737 15 MEGOHM 1/4W
R7	63-189 100 OHM 1/4W
R8	63-197 15 MEGOHM 1/4W
R9	63-197 15 MEGOHM 1/4W
R10	63-197 15 MEGOHM 1/4W
R11	63-197 15 MEGOHM 1/4W
R12	63-435 270 OHM WIREWOUND 1/4W
R13	63-197 15 MEGOHM 1/4W
R14	63-627 100 OHM 1/4W

CONVENTIONAL I.F. ALIGNMENT-SEE SPECIAL SECTION VOL. VIII  
 I.F. 455 KC  
 TRIM ANT-OSC 1400 KC  
 Line voltage—117 v. A.C.  
 Antenna disconnected — volume control at minimum and condenser plates in full mesh.  
 All voltages measured from point indicated to Neg. B. using 20000 ohm per volt meter.

Power consumption—117 v.—18.5 watts.  
 Power consumption, battery—1.02 watts.  
 Power output—160 milliwatts.  
 Stage Gains:  
 Ant. to conv. grid—3.8 X at 1000 Kc.  
 Conv. grid to I.F. grid—65 X at 455 Kc.  
 Overall audio—360 X at .050 watt, 400 cycles.  
 Tuning Range—540 Kc.—1600 Kc.



CHANGE-OVER SWITCH FOR A.C. OPERATION