

## Zenith Radio Corp.

**Model: 5G510**

**Chassis:**

**Year: Pre April 1941**

**Power:**

**Circuit:**

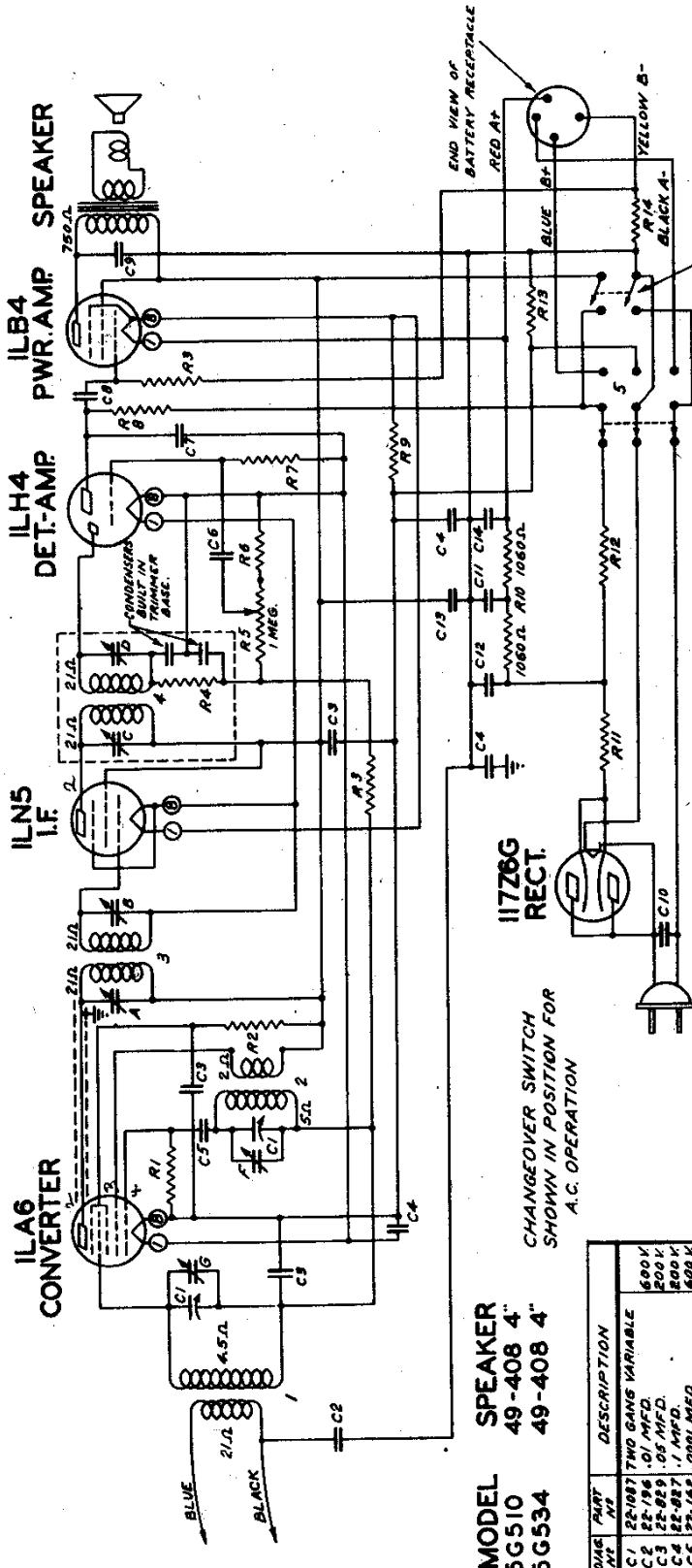
**IF:**

**Tubes:**

**Bands:**

**Resources**

**Riders Volume 12 - ZENITH 12-5**



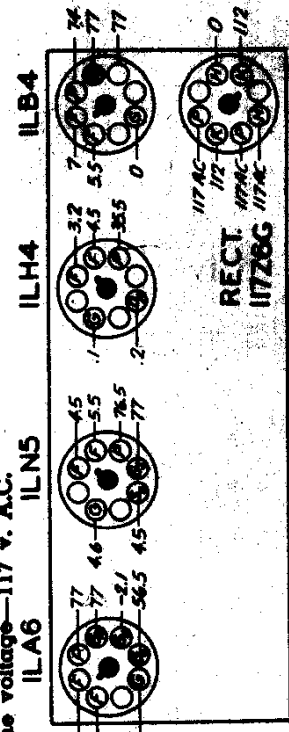
**MODEL 5G510 49-408 4"**  
**5G534 49-408 4"**

PART NO.	DESCRIPTION
C1	22-1087 TWO GANG VARIABLE
C2	22-196 .01 MFD.
C3	22-623 .05 MFD.
C4	22-627 .1 MFD.
C5	22-182 .001 MFD.
C6	22-472 .002 MFD.
C7	22-248 .01 MFD.
C8	22-448 .004 MFD.
C9	22-849 .05 MFD.
C10	22-1028 .001 MFD.
C11	20 MFD. ELECTROLYTIC
C12	150 K
C13	20 MFD.
C14	20 MFD.
R1	63-654 100 M OHM
R2	63-646 330 OHM
R3	63-686 22 MEGOHM
R4	63-713 47 M OHM
R5	63-782 100 M OHM
R6	63-183 150 OHM
R7	63-371 15 MEGOHM
R8	63-1097 870 OHM WIREWOUND
R9	63-1187 2 SECTION CARBONHM
R10	63-1096 140 OHM WIREWOUND
R11	63-435 2700 OHM
R12	63-1799 33 OHM WIREWOUND
R13	63-627 100 OHM

CONVENTIONAL I.F. ALIGNMENT-SEE SPECIAL SECTION VOL. VIII  
 I.F. 455 KC  
 TRIM ANT-OSC 1400 KC  
 Line voltage—117 v. A.C.

Power consumption—117 v.—18.5 watts.  
 Power consumption, battery—1.02 watts.  
 Power output—160 milliwatts.

Stage Gains:  
 Ant. to conv. grid—3.8 X at 1000 Kc.  
 Conv. grid to I.F. grid—65 X at 455 Kc.  
 Overall audio—360 X at .050 watt, 400 cycles.  
 Tuning Range—540 Kc.—1600 Kc.



CHANGEOVER SWITCH FOR A.C. OPERATION

All voltages measured from point indicated to Neg. B. using 20000 ohm per volt meter.

Antenna disconnected—volume control at minimum and condenser plates in full mesh.