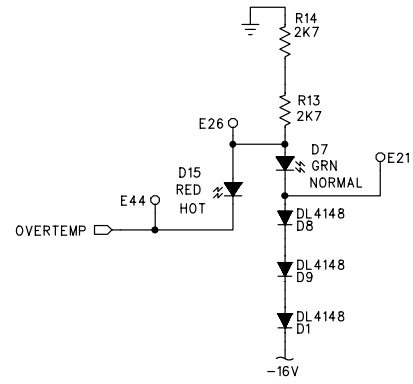


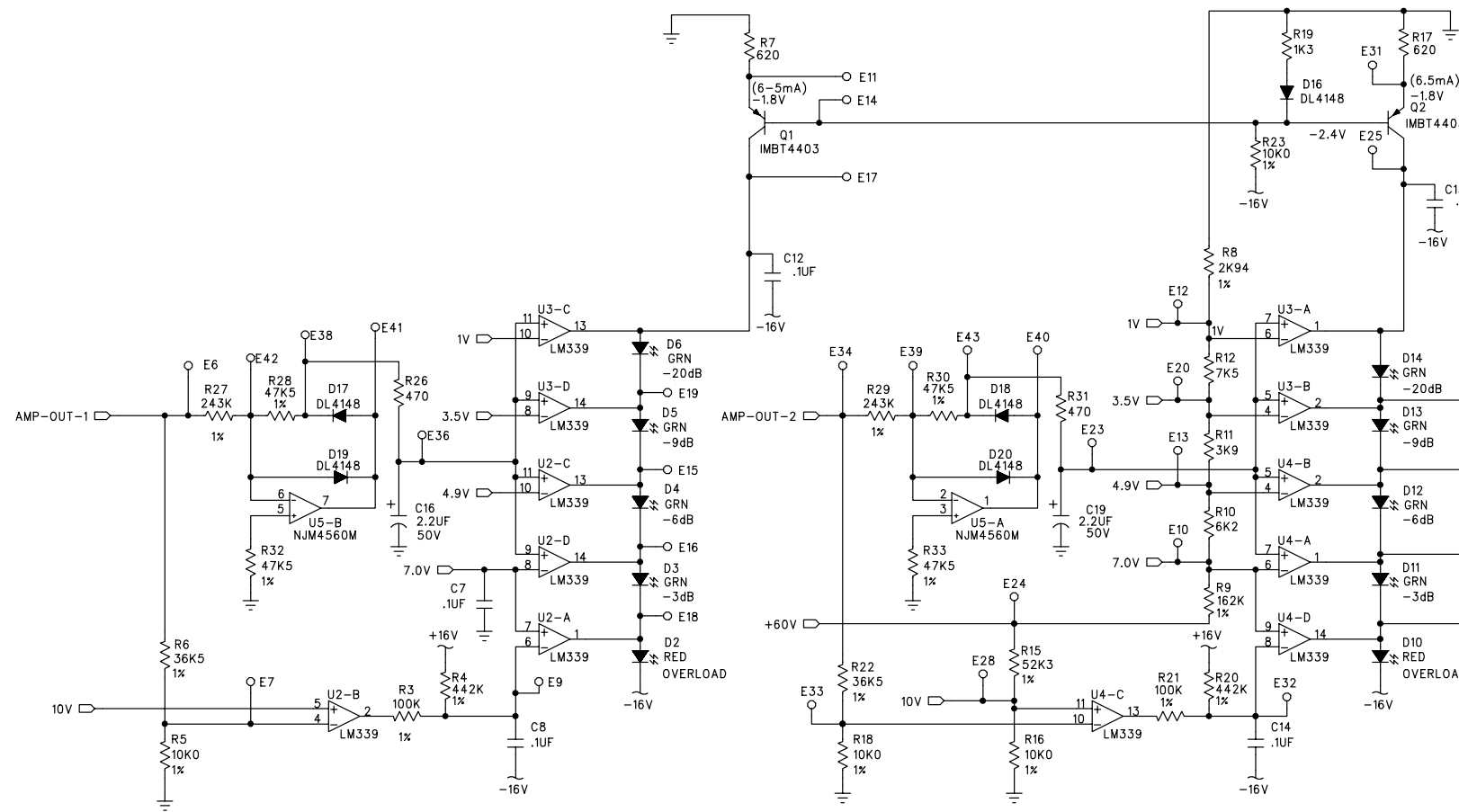
ECO#	REV:	DESCRIPTION	REV. BY:	APP. BY:	DATE
A		RELEASE TO PRODUCTION	TH		2-16-99

AMPLIFIER STATUS INDICATORS



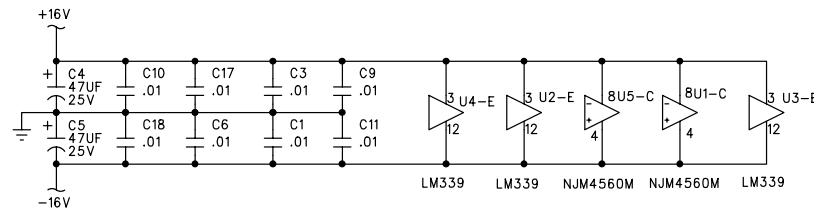
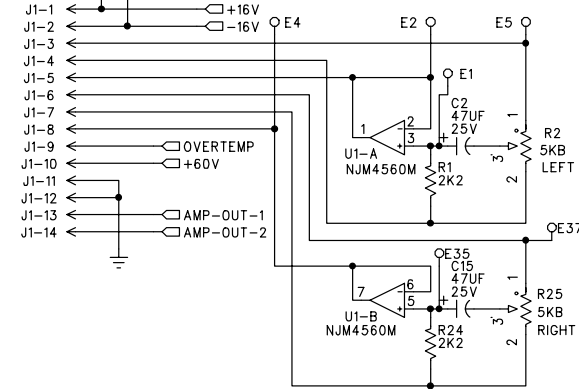
CHANNEL-1 METER

CHANNEL-2 METER



TO MAIN BOARD

OUTPUT LEVEL



- 706-033-08
- STANDOFF, SWAGE, 4-40 X .665L
- 450-218-00
- PCB, M800 DISPLAY

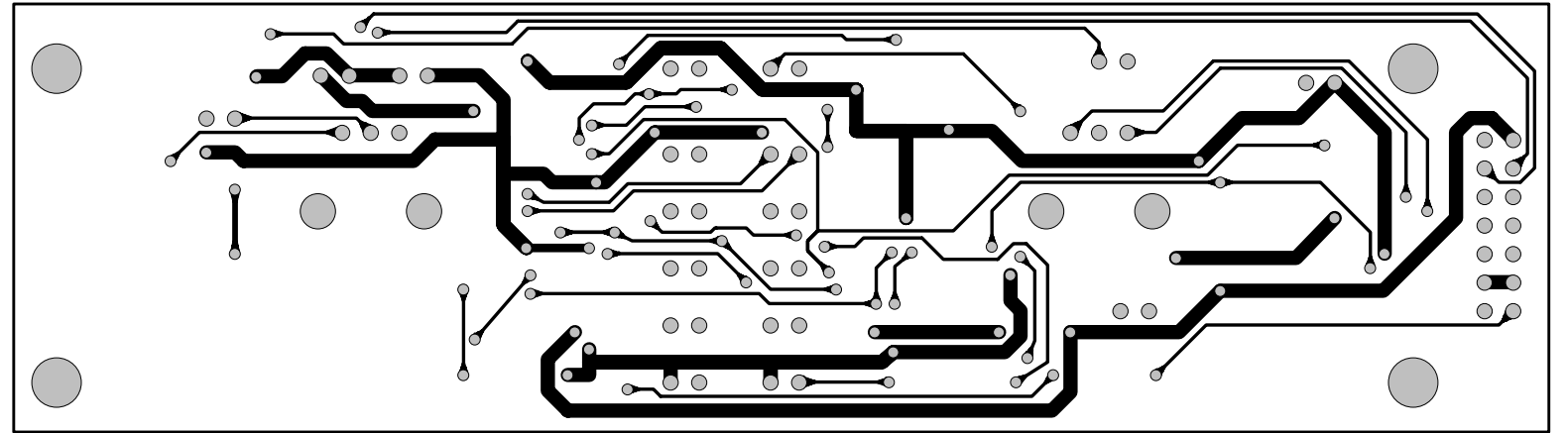
UNLESS OTHERWISE SPECIFIED DIMENSIONS ARE IN INCHES TOLERANCES ARE:	APPROVALS		DATE
	DRAWN:	TH	2-16-99
FRACTIONS: .XX ±.01 ±.01 DECIMALS: .XXX ±.005	CHECKED:		
	NP ENG:		
MATERIAL:	MATERIAL:		
FINISH:	MFG:		
SEE NOTES	MFG ENG:		
DO NOT SCALE DRAWING	ISSUED:		

MACKIE
Mackie Designs Inc. Woodinville, Wa.

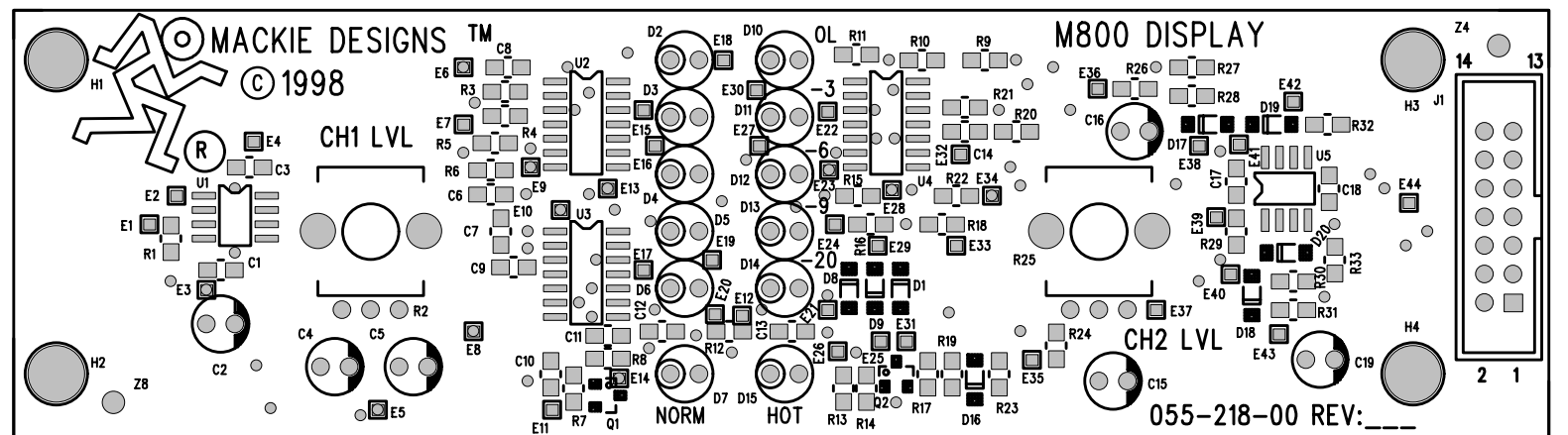
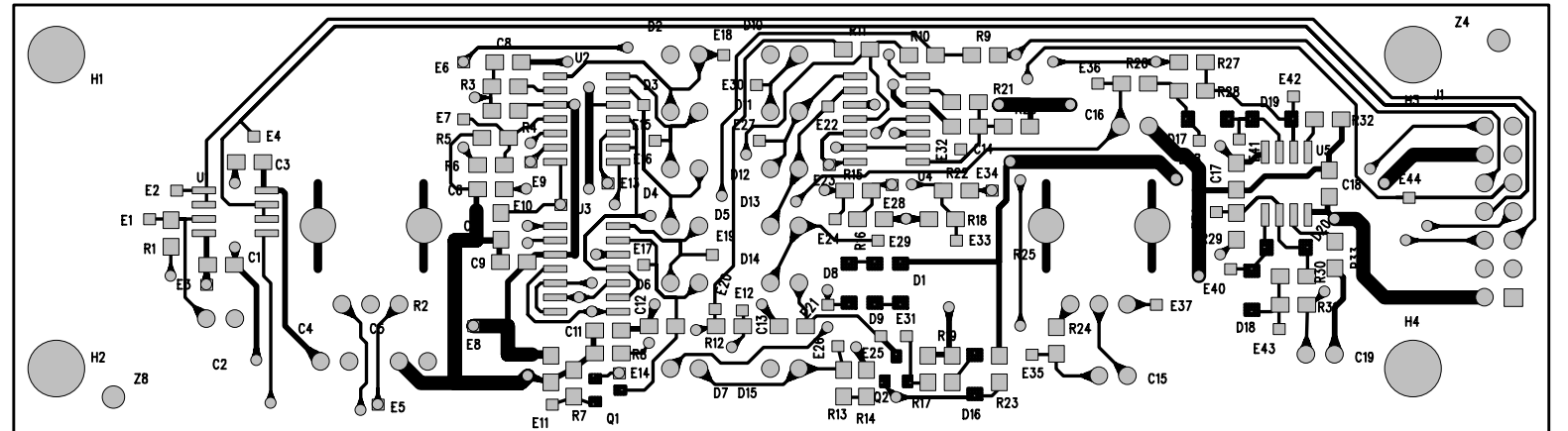
M800 DISPLAY BOARD

SIZE	SCALE:	DWG. NO.	REV.
D	NONE	990-218-00	A
DWG FILE:		SHEET 1 OF 1	

Bottom surface

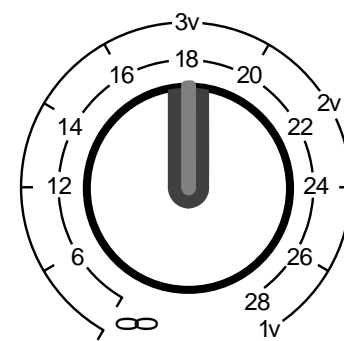


Top surface

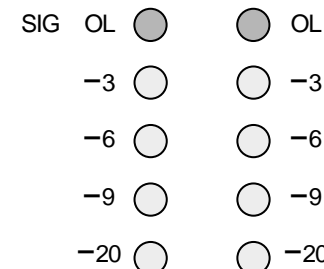


CH
1

GAIN/dB



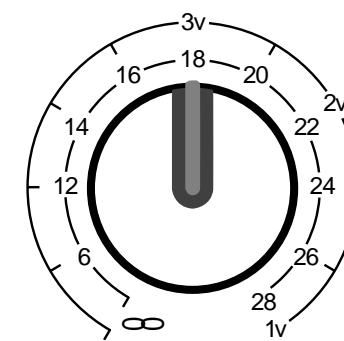
SENSITIVITY 1.23v (+4dBu)



CH STATUS
1&2
NORM HOT

GAIN/dB

CH
2



SENSITIVITY 1.23v (+4dBu)