

# JVC TELEVISION SCHEMATIC

## NOTE

- ALL VOLTAGES SHOW READS BY VOLT METER (20k $\Omega$ ) ON NORMAL RECEPTION.
  - TV ARE ON UHF RECEPTION EXCEPT THOSE X<sub>3</sub> IS ON VHF
  - SEE NOTE 5 FOR THOSE DIODES OF TUNERS.
  - RADIO ARE ON FM RECEPTION, ( ) ARE ON SW OR MW, EXCEPT THOSE X<sub>803</sub> IS ON SW, X<sub>804</sub> IS ON MW.
  - AMP ARE ON PB, ( ) ARE ON REC.

- ALIGNMENT
  - OPERATION FOR USER
  - OPERATION FOR SERVICE

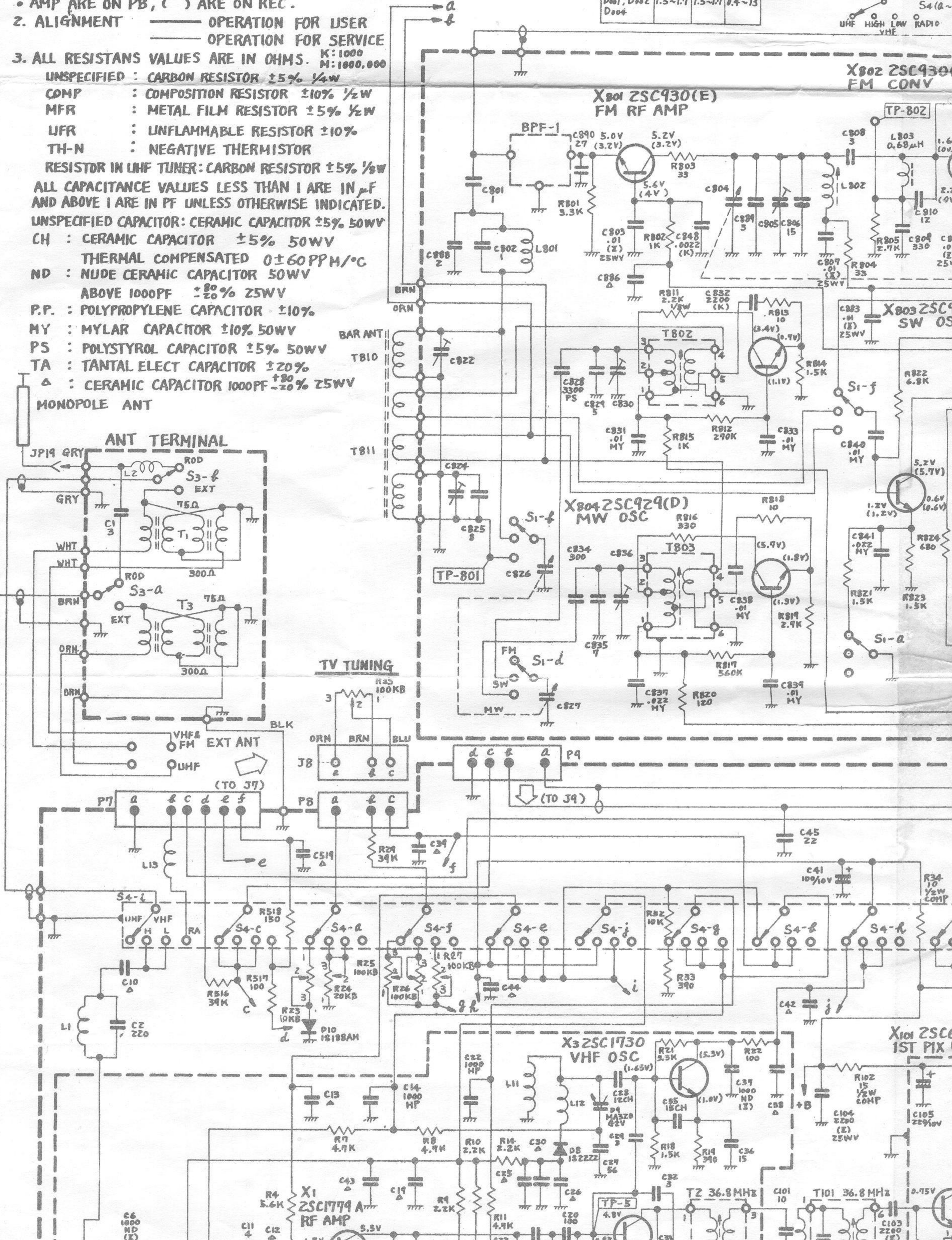
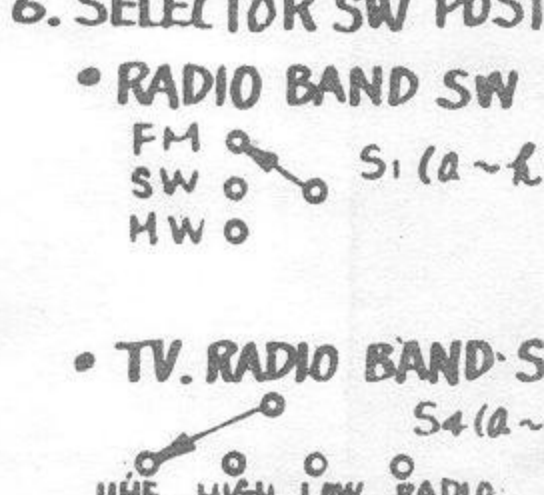
- ALL RESISTANS VALUES ARE IN OHMS.
  - K: 1000
  - M: 1000,000
  - UNSPECIFIED: CARBON RESISTOR  $\pm 5\%$  1/4W
  - COMP: COMPOSITION RESISTOR  $\pm 10\%$  1/2W
  - MFR: METAL FILM RESISTOR  $\pm 5\%$  1/2W
  - UFR: UNFLAMMABLE RESISTOR  $\pm 10\%$
  - TH-N: NEGATIVE THERMISTOR

- RESISTOR IN UHF TUNER: CARBON RESISTOR  $\pm 5\%$  1/8W
- ALL CAPACITANCE VALUES LESS THAN 1 ARE IN  $\mu$ F AND ABOVE 1 ARE IN PF UNLESS OTHERWISE INDICATED.
- UNSPECIFIED CAPACITOR: CERAMIC CAPACITOR  $\pm 5\%$  50WV
- CH: CERAMIC CAPACITOR  $\pm 5\%$  50WV  
THERMAL COMPENSATED  $0 \pm 60$  PPM/ $^{\circ}$ C
- ND: NUDE CERAMIC CAPACITOR 50WV  
ABOVE 1000PF  $\pm 20\%$  25WV
- P.P.: POLYPROPYLENE CAPACITOR  $\pm 10\%$
- MY: MYLAR CAPACITOR  $\pm 10\%$  50WV
- PS: POLYSTYROL CAPACITOR  $\pm 5\%$  50WV
- TA: TANTAL ELECT CAPACITOR  $\pm 20\%$
- $\Delta$ : CERAMIC CAPACITOR 1000PF  $\pm 20\%$  25WV

## 5. VOLTAGES AT DIODE OF TUNER

DIODE	VHF LOW	VHF HIGH	UHF
D <sub>6</sub> , D <sub>8</sub> , D <sub>11</sub>	-6.5	0.75	0
D <sub>2</sub>	0	0.75	0
D <sub>3</sub>	-6.5	1.5	0
D <sub>5</sub>	-6.5	-6.5	0
D <sub>4</sub> , D <sub>4</sub>	1.5~1.7	1.5~1.7	-0.7
D <sub>7</sub>	1.5~1.7	1.5~1.7	-0.06
D <sub>001</sub> , D <sub>002</sub>	1.5~1.7	1.5~1.7	0.4~1.3

## 6. SELECTOR SW POSI

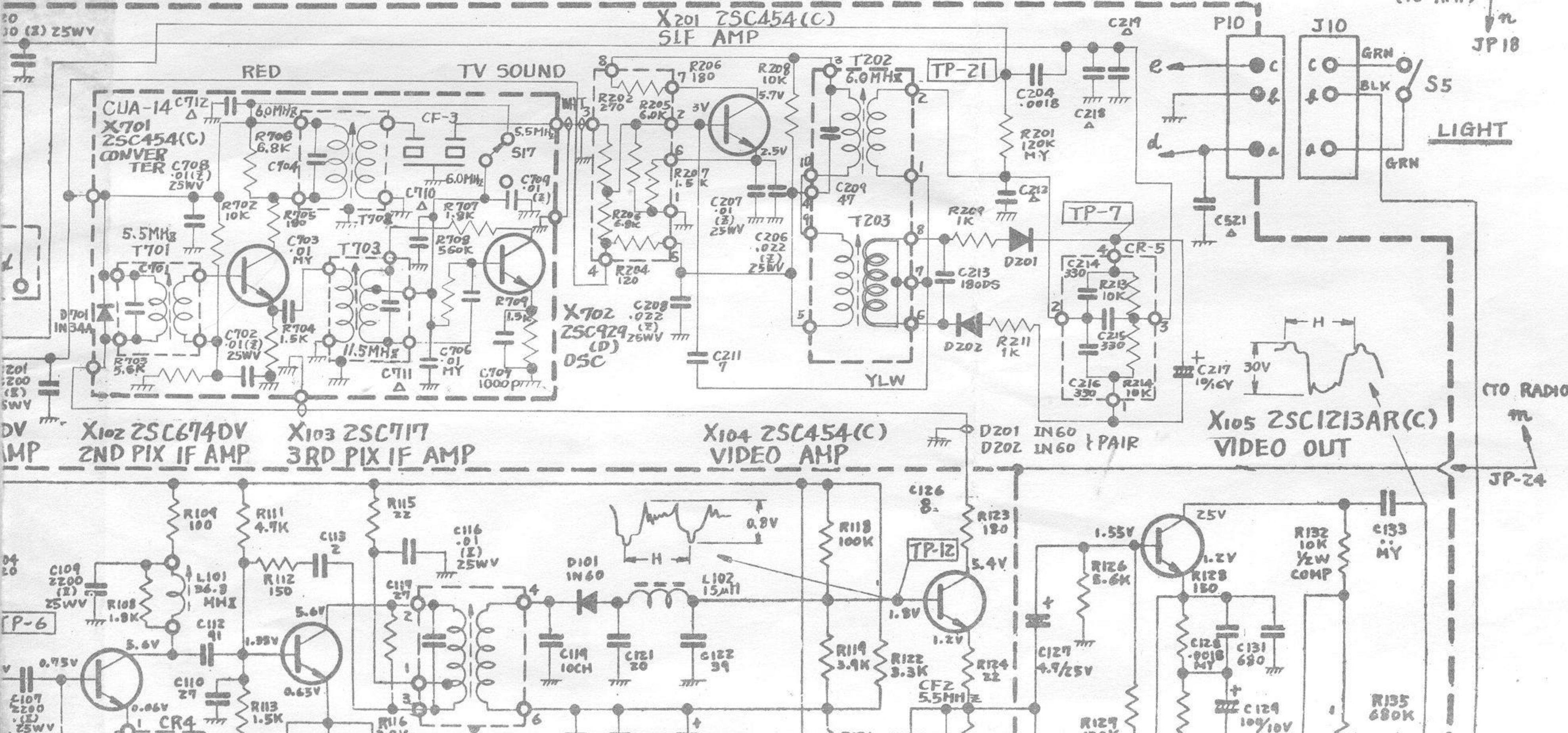
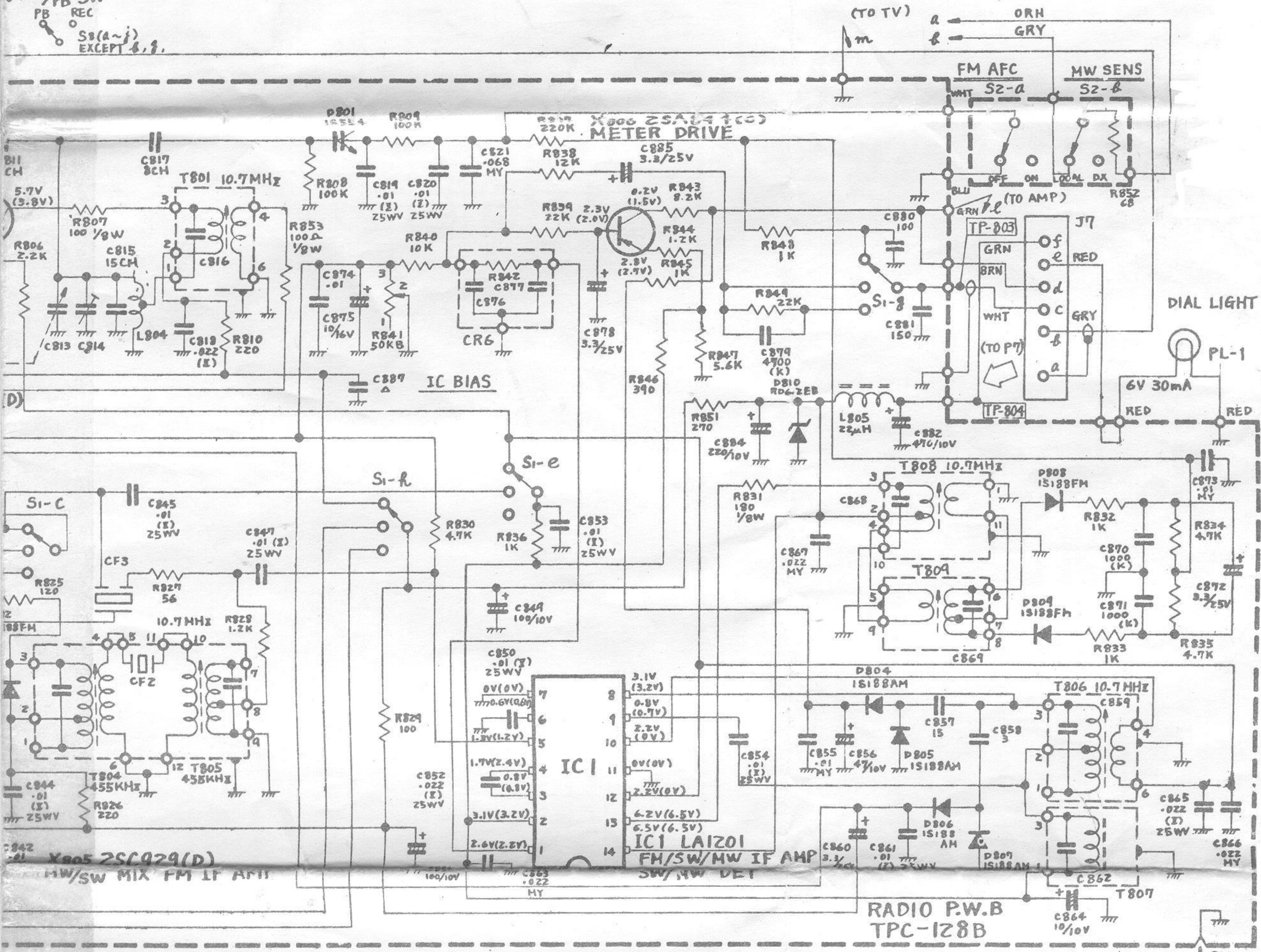




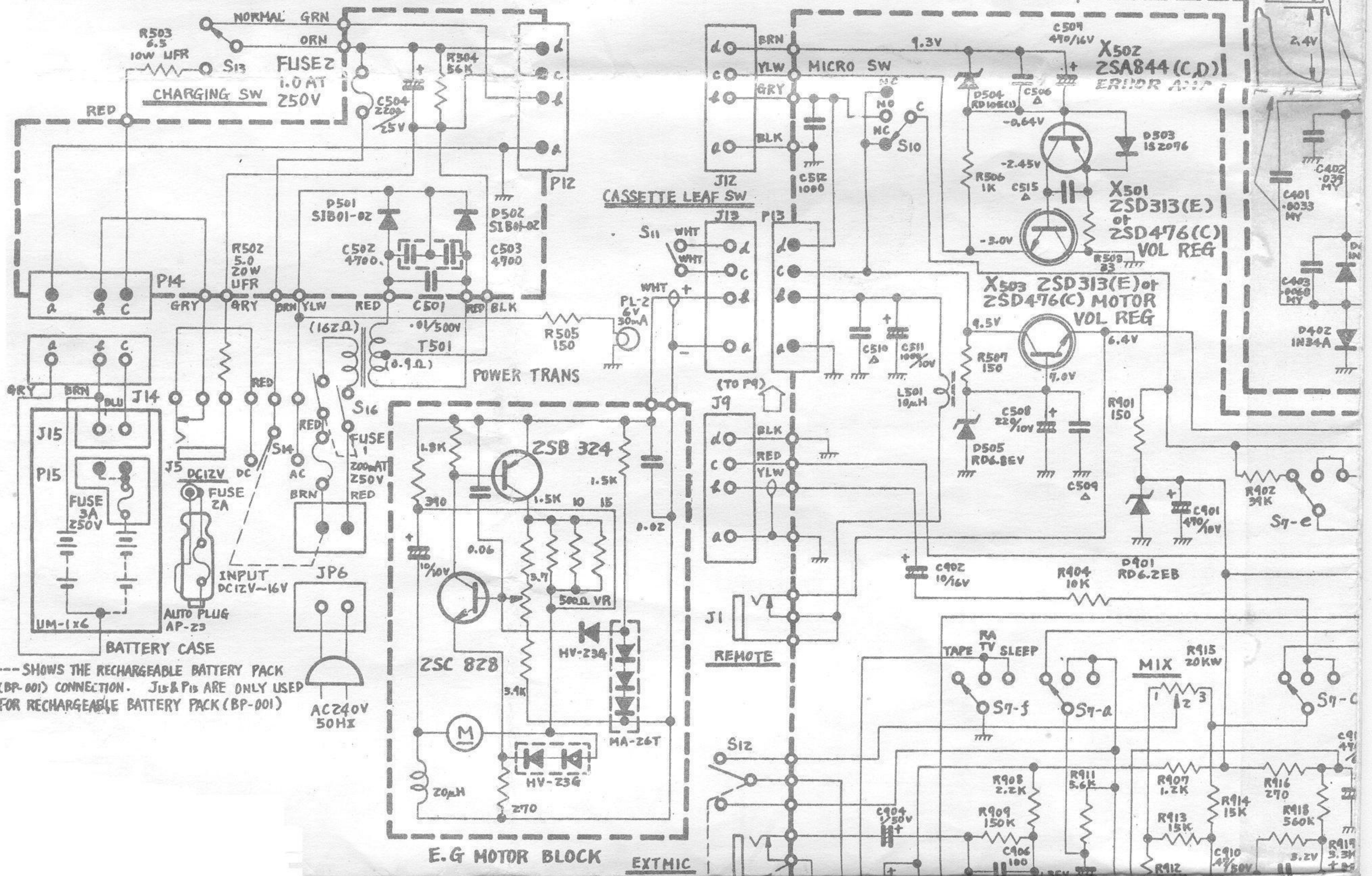
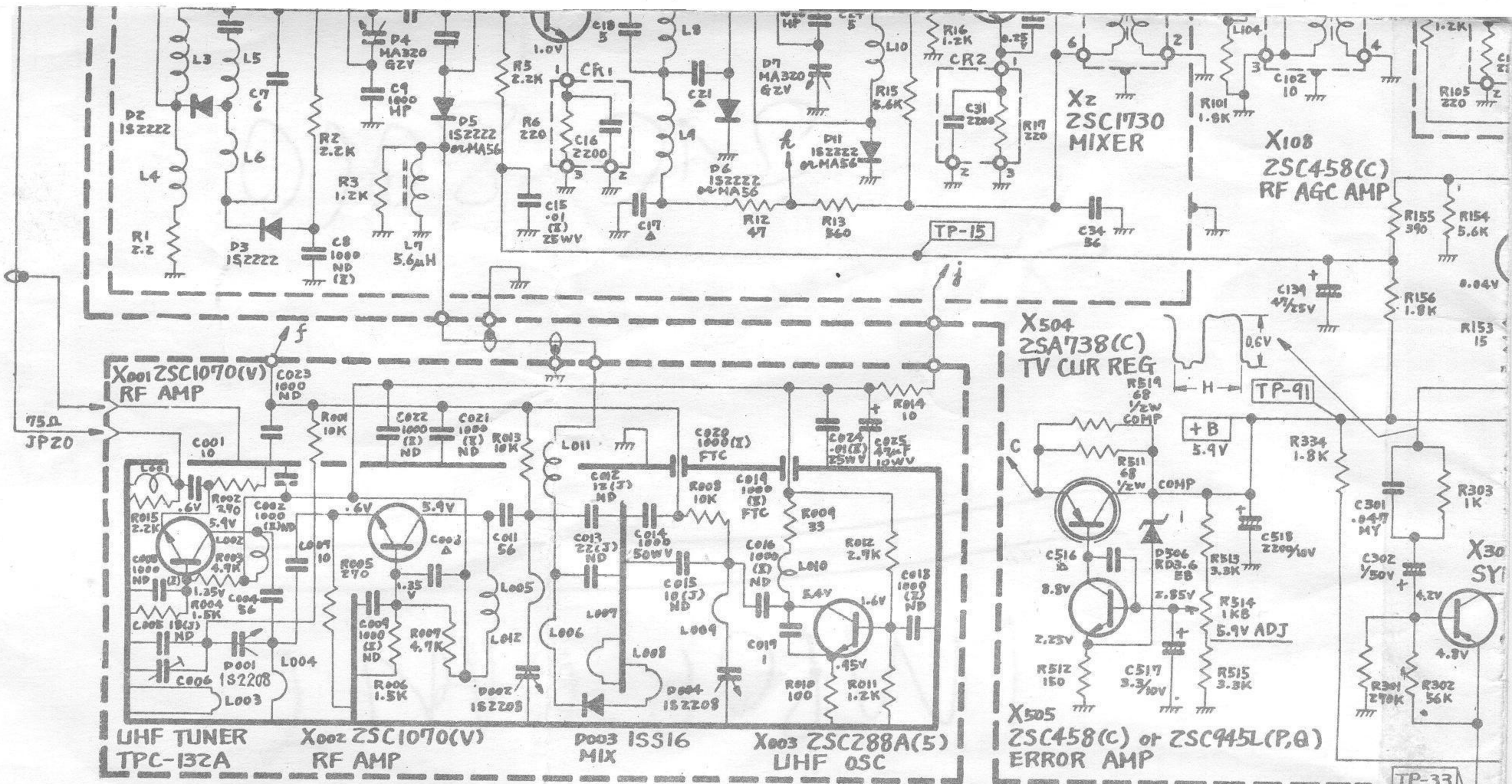
# DIAGRAM MODEL 3060UK MARK II

SELECTOR SW/S10  
TAPE TV SLEEP

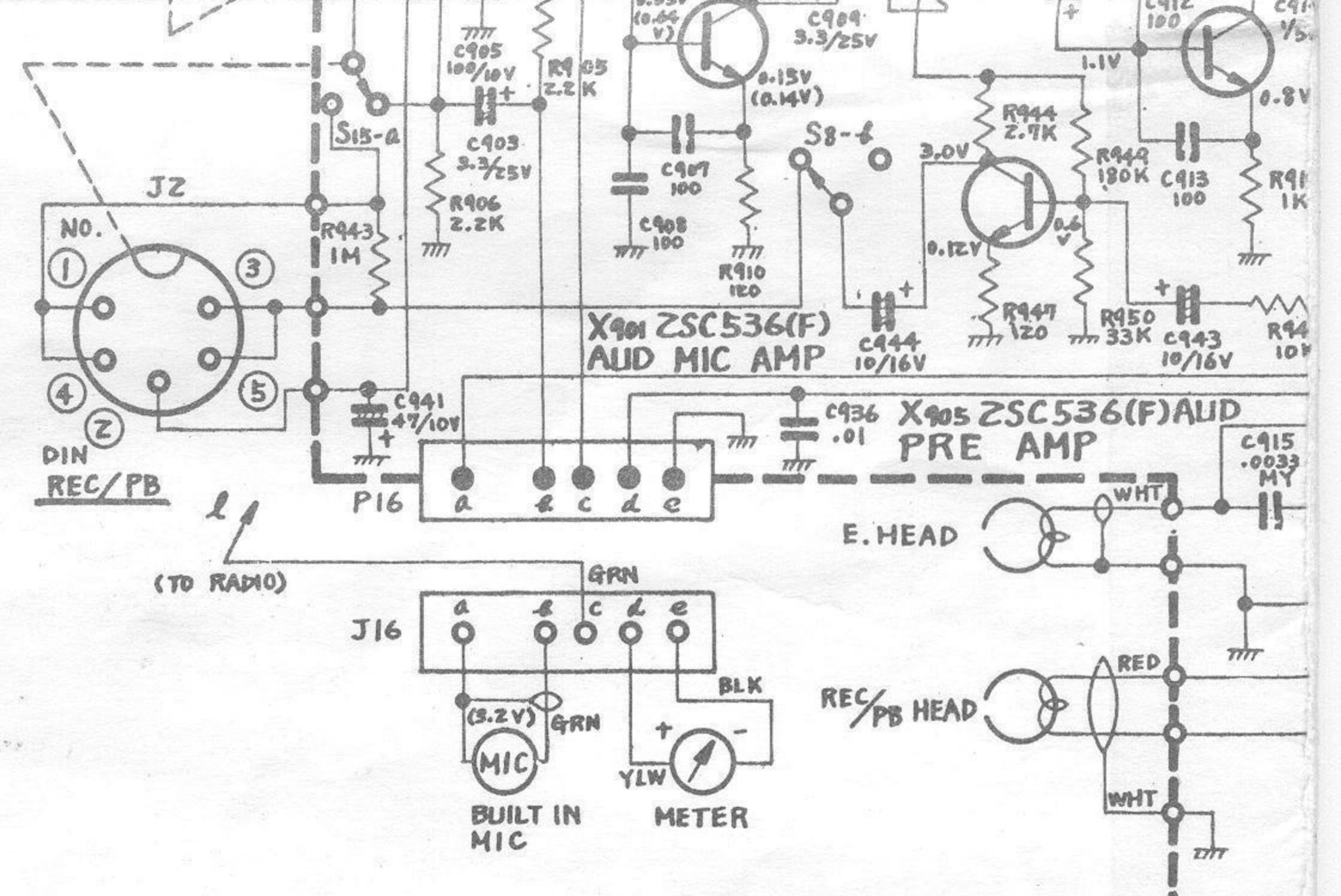
REC/PB SW  
PB REC  
S8(A~J)  
EXCEPT 8, 9.



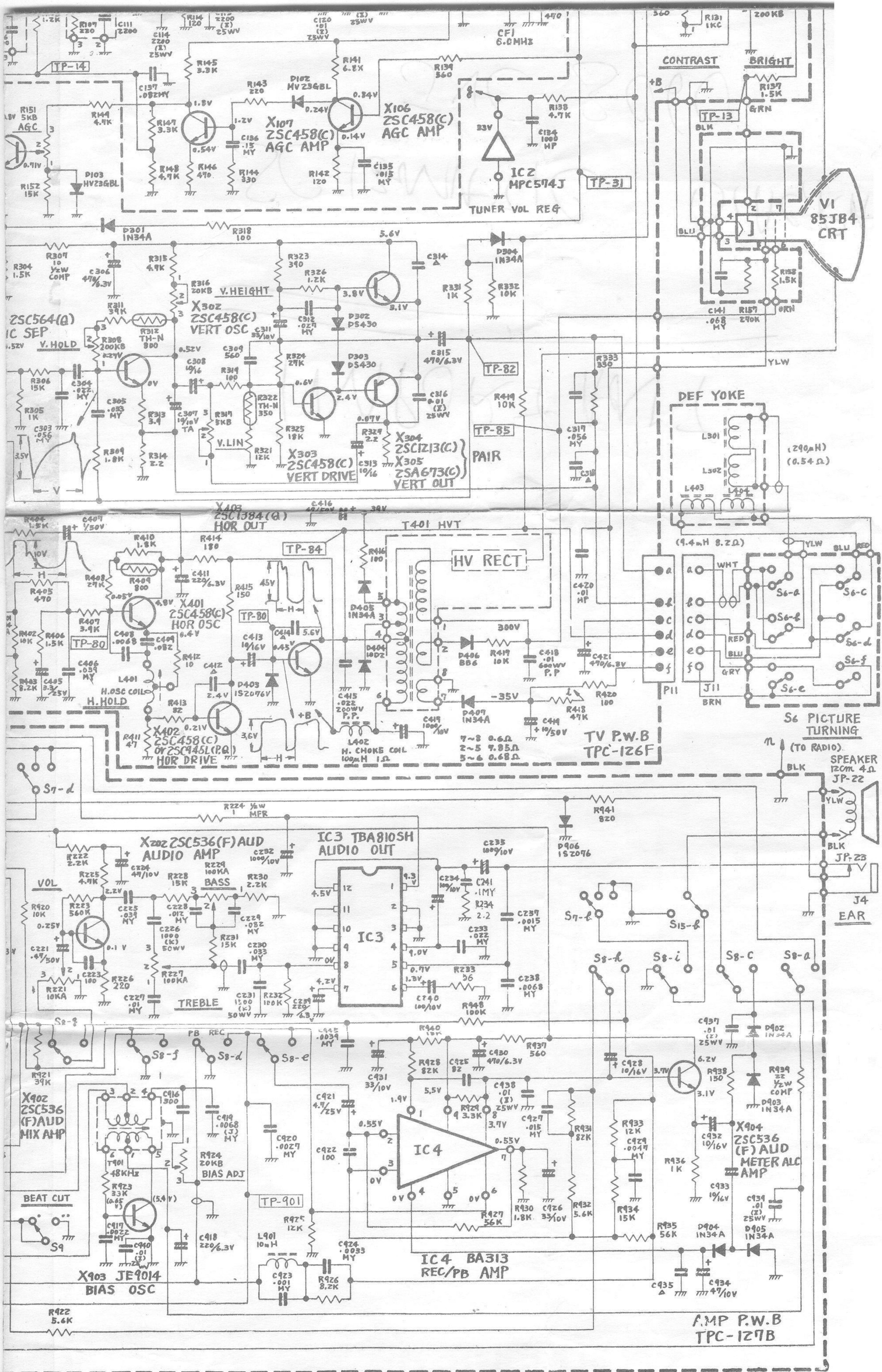




--- SHOWS THE RECHARGEABLE BATTERY PACK (BP-001) CONNECTION. J15 & P15 ARE ONLY USED FOR RECHARGEABLE BATTERY PACK (BP-001)







\* This is fundamental circuit diagram and it may be altered due to some improvement.