

Service  
Service  
**Service**

**VR730/02/07/16/39**

**VR732/02/16/39**



# Service Manual

## Contents

Chapter
Sec. 1: Adjustment Procedure
Schematic Diagrams and CBA's
Exploded Views
Mechanical and Electrical Parts Lists
Sec. 2: Standard Maintenance
Mechanism Alignment Procedures
Disassembly / Assembly of Mechanism
Deck Exploded Views

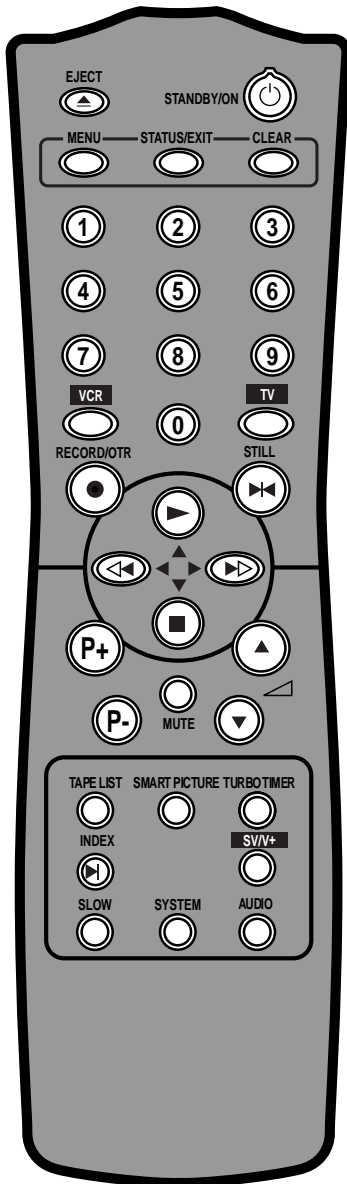
## Survey of versions:

/02	PAL B/G, VPS/PDC
/07	PAL I, Ireland
/16	PAL B/G, Spain
/39	SECAM L, L' & PAL B/G, I
/58	PAL/SECAM B/G, D/K

Safety regulations require that the set be restored to its original condition and that parts which are identical with those specified be used.



[ VR730/02, VR730/07, VR730/16, VR730/39, VR732/02, VR732/16, VR732/39 ]



Press button VCR on the remote control before doing VCR related functions on the remote. By pressing button TV it is possible to navigate some functions on PHILIPS TV sets.

### Buttons for VCR feature only

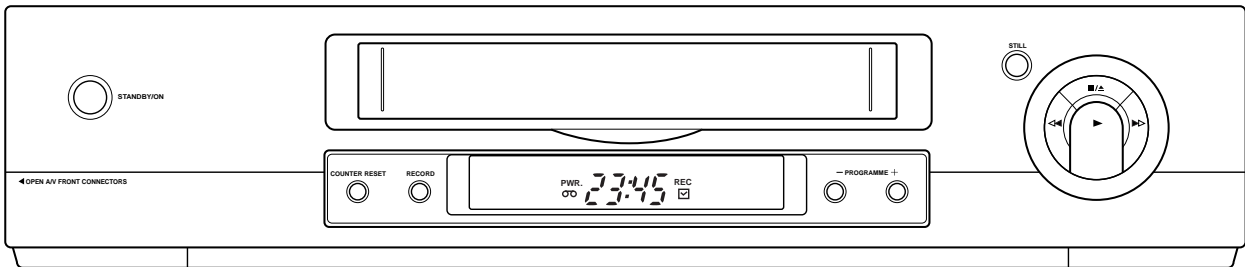
- VCR** To operate the VCR with the remote control.
- EJECT** To eject the cassette.
- CLEAR** To delete last entry/Clear programmed recording (TIMER).
- RECORD/OTR** To record the TV channel selected at this moment or press repeatedly to start a One-Touch Recording.
- STILL** To stop the tape and slow a still picture.
- P+** **P-** To select the programme number. During normal or slow motion playback, press to adjust the tracking.
- INDEX** In combination with **<<** **>>**: to search for previous or next recording on the cassette.
- SLOW** To view the picture in slow motion.
- AUDIO** To change stereo sound and 2nd language.
- SYSTEM** Doesn't work in these models.
- TAPE LIST** To call up the Tape List.
- SMART PICTURE** To select a smart picture mode.
- TURBO TIMER** To programme a recording with the function TURBO TIMER.
- SV/V+** To make a TIMER programming with Video Plus+ system.
- MENU** To call up main menu of VCR.
- ▶** To play a tape, select an item in the menu of VCR.
- ▼** To stop the tape, select an item in the menu of VCR
- >>** When tape playback is stopped, press to fast forward the tape at high speed. During playback, press to fast forward the tape while the picture stay on the screen. To store or confirm entry in the menu.
- <<** When tape playback is stopped, press to rewind the tape at high speed. During playback, press to rewind the tape while the picture stay on the screen. To return the cursor in the menu.

### Buttons with TV feature

- TV** To call up additional TV functions.
- STANDBY/ON** To switch VCR or Philips TV on or off, interrupt menu function.
- STATUS/EXIT** To access or remove the VCR's on-screen status display. To exit on-screen menus. Or, to access or remove a status display or menu of Philips TV.
- 0..9** Press to select channels at VCR or Philips TV.
- MUTE** To mute the TV's sound. Press again to restore the volume.
- ▲** **▼** To adjust the TV's volume.

# [ VR730/02, VR730/07, VR730/16, VR730/39, VR732/02, VR732/16, VR732/39 ]

## Front of the device



**STANDBY/ON** To switch off or on, interrupt a function.

**PROGRAMME+** **PROGRAMME-** To select the programme number. During normal or slow motion playback, press to adjust the tracking.

**RECORD** To record the TV channel selected at this moments.

**▶▶** When tape playback is stopped, press to fast forward the tape at high speed. During playback, press to fast forward the tape while the picture stay on the screen.

**◀◀** When tape playback is stopped, press to rewind the tape at high speed. During playback, press to rewind the tape while the picture stay on the screen.

**▶** To play a tape.

**■/▲** To stop the tape and eject the cassette.

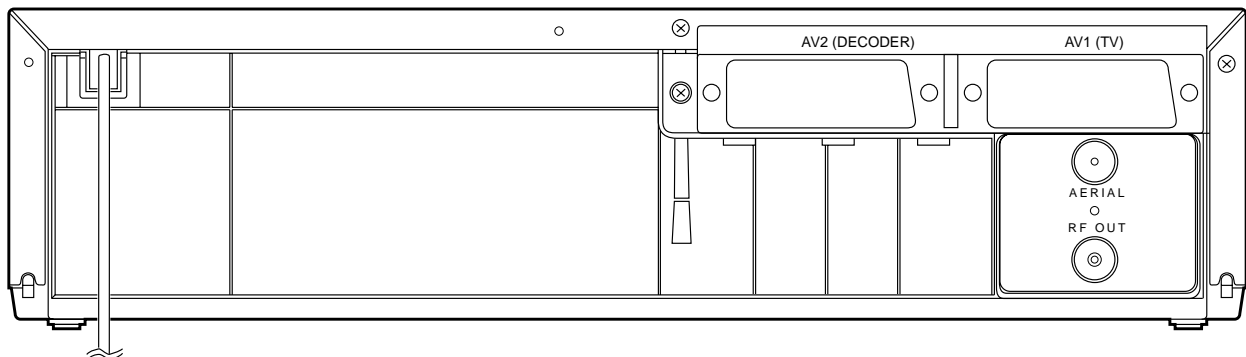
**STILL** To stop the tape and show a still picture.

**COUNTER RESET** To reset the counter.

### AV FRONT CONNECTORS

White and red socket Audio input socket left/right: To connect a camera recorder or video recorder  
Yellow socket Video input socket: To connect a camera recorder or video recorder.

## Back of the set



**AUDIO OUTPUT L R** To connect a HIFI-set.

**AV2(DECODER)** To connect a satellite receiver, decoder, video recorder, etc.

**AV1(TV)** To connect the TV set.

**AERIAL** To connect the aerial cable.

**RF OUT** To connect the TV set.

# Servo/System Control Block Diagram

## Comparison Chart of Models & Marks

Model	Mark	Model	Mark
VR730/02	L	VR732/02	P
VR730/07	M	VR732/16	Q
VR730/16	N	VR732/39	R
VR730/39	O		

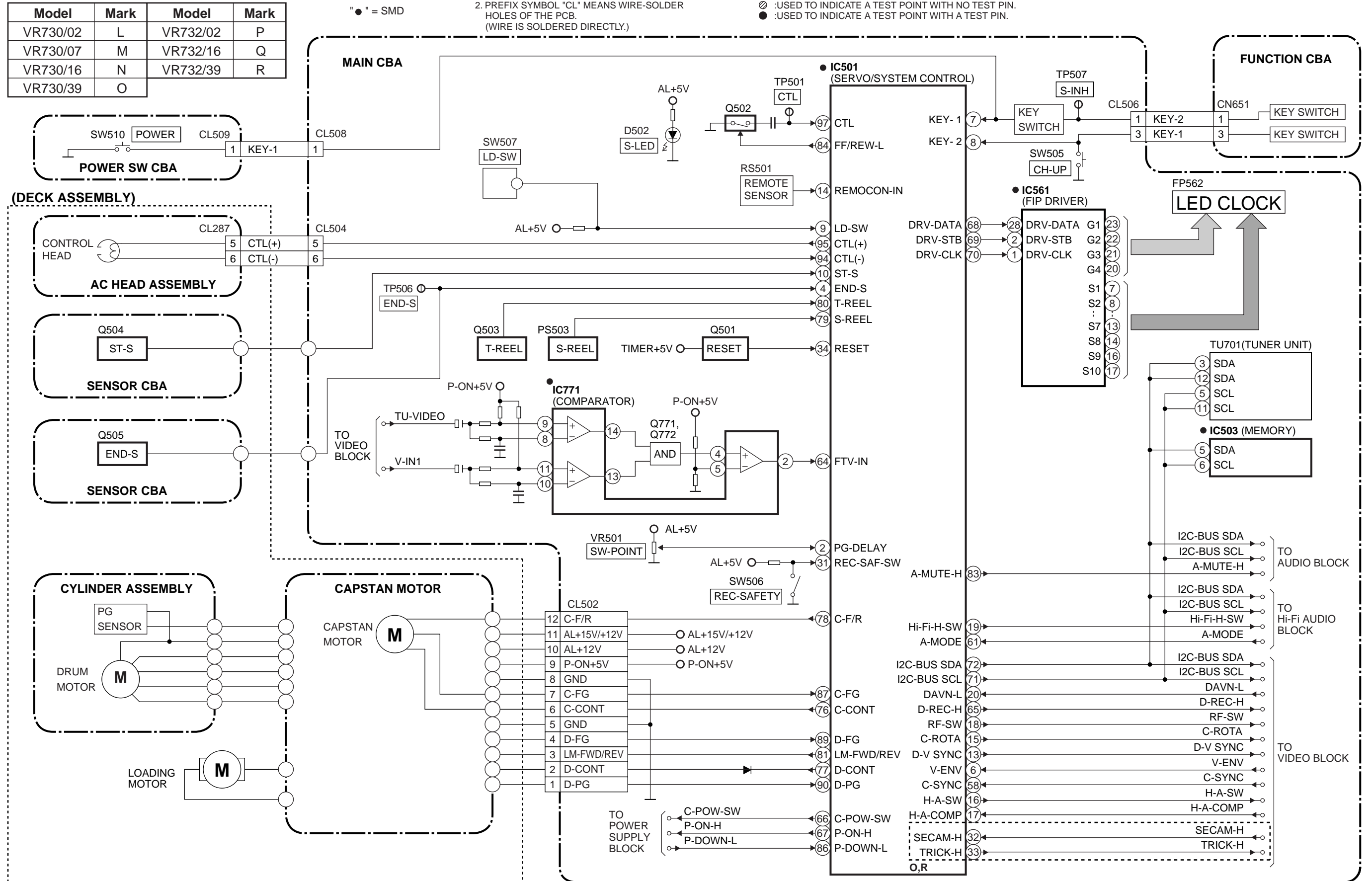
# BLOCK DIAGRAMS

### NOTE FOR WIRE CONNECTORS:

1. PREFIX SYMBOL "CN" MEANS CONNECTOR. (CAN DISCONNECT AND RECONNECT.)
2. PREFIX SYMBOL "CL" MEANS WIRE-SOLDER HOLES OF THE PCB. (WIRE IS SOLDERED DIRECTLY.)

### TEST POINT INFORMATION

- ⊙ :INDICATES A TEST POINT WITH A JUMPER WIRE ACROSS A HOLE IN THE PCB.
- ⊚ :USED TO INDICATE A TEST POINT WITH A COMPONENT LEAD ON FOIL SIDE.
- ⊛ :USED TO INDICATE A TEST POINT WITH NO TEST PIN.
- :USED TO INDICATE A TEST POINT WITH A TEST PIN.



# Video Block Diagram

## NOTE FOR WIRE CONNECTORS:

1. PREFIX SYMBOL "CN" MEANS CONNECTOR. (CAN DISCONNECT AND RECONNECT.)
2. PREFIX SYMBOL "CL" MEANS WIRE-SOLDER HOLES OF THE PCB. (WIRE IS SOLDERED DIRECTLY.)

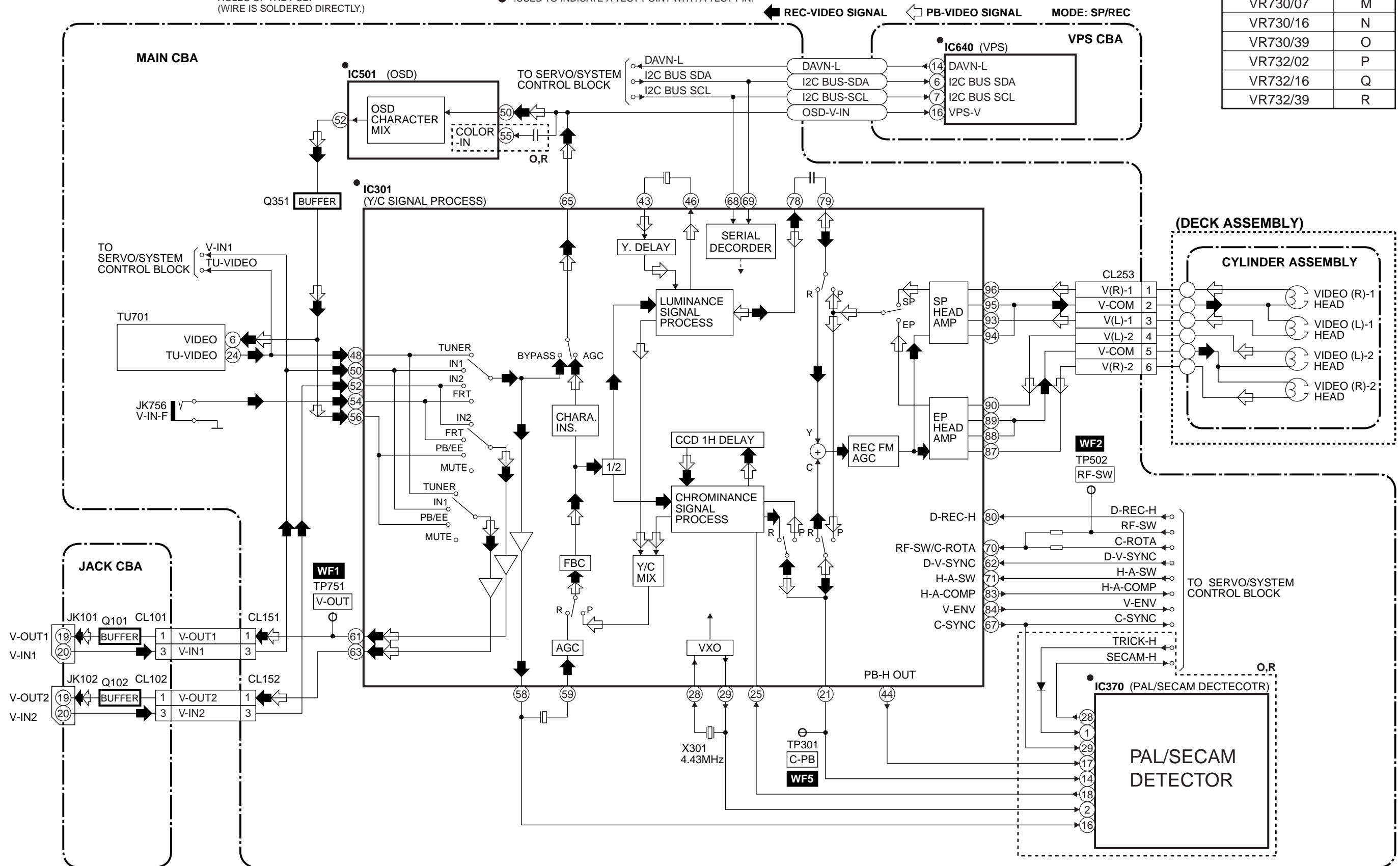
"●" = SMD

## TEST POINT INFORMATION

- : INDICATES A TEST POINT WITH A JUMPER WIRE ACROSS A HOLE IN THE PCB.
- ◻ : USED TO INDICATE A TEST POINT WITH A COMPONENT LEAD ON FOIL SIDE.
- ⊗ : USED TO INDICATE A TEST POINT WITH NO TEST PIN.
- : USED TO INDICATE A TEST POINT WITH A TEST PIN.

## Comparison Chart of Models & Marks

Model	Mark
VR730/02	L
VR730/07	M
VR730/16	N
VR730/39	O
VR732/02	P
VR732/16	Q
VR732/39	R



# Audio Block Diagram

**NOTE FOR WIRE CONNECTORS:**

1. PREFIX SYMBOL "CN" MEANS CONNECTOR. (CAN DISCONNECT AND RECONNECT.)
2. PREFIX SYMBOL "CL" MEANS WIRE-SOLDER HOLES OF THE PCB. (WIRE IS SOLDERED DIRECTLY.)

"●" = SMD

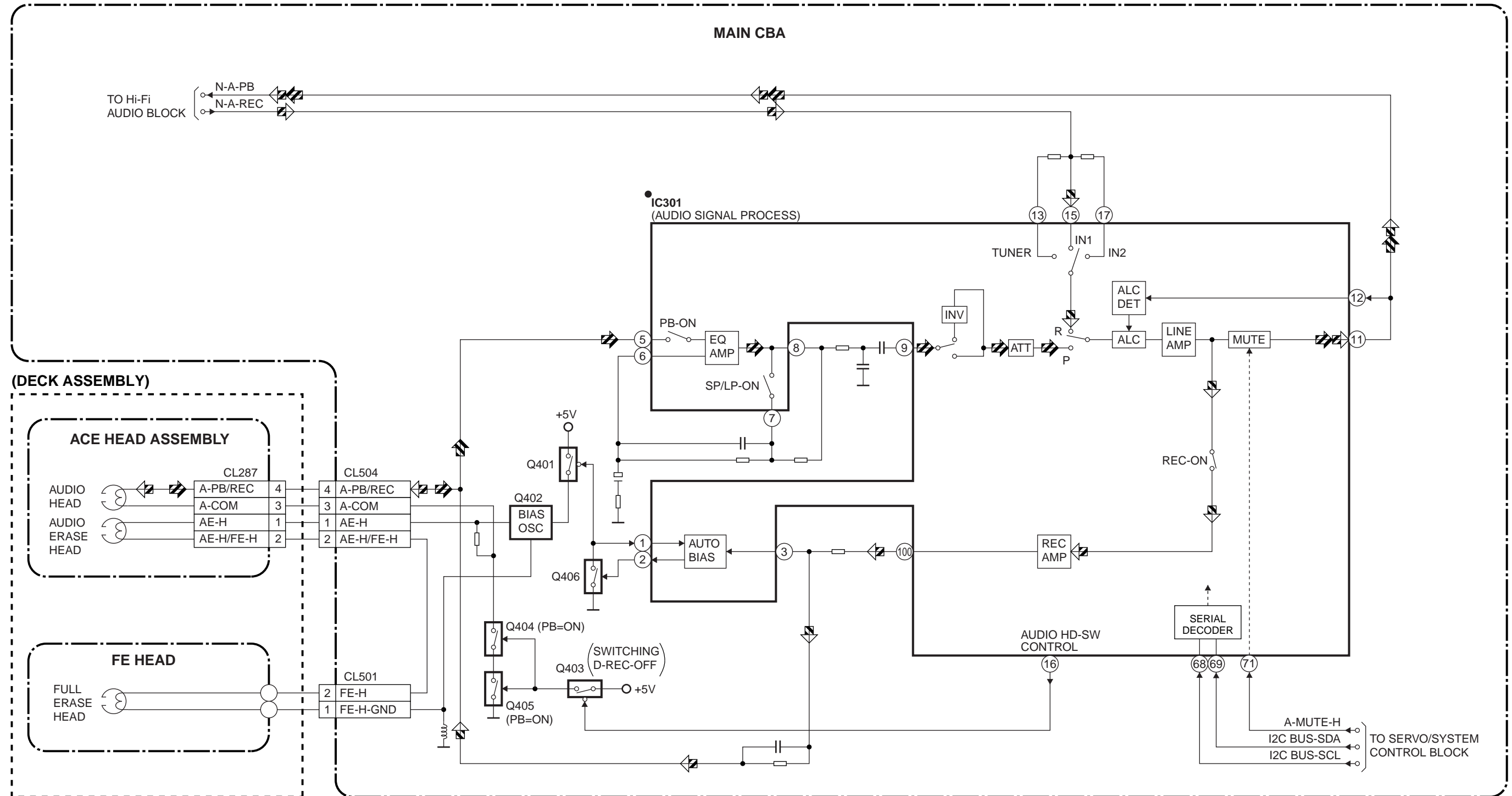
**TEST POINT INFORMATION**

- ⊕ : INDICATES A TEST POINT WITH A JUMPER WIRE ACROSS A HOLE IN THE PCB.
- ⇨ : USED TO INDICATE A TEST POINT WITH A COMPONENT LEAD ON FOIL SIDE.
- ⊗ : USED TO INDICATE A TEST POINT WITH NO TEST PIN.
- : USED TO INDICATE A TEST POINT WITH A TEST PIN.

**Comparison Chart of Models & Marks**

Model	Mark
VR730/02	L
VR730/07	M
VR730/16	N
VR730/39	O
VR732/02	P
VR732/16	Q
VR732/39	R

⇨ PB-AUDIO SIGNAL    ⇨ REC-AUDIO SIGNAL    Mode : SP/REC



# Hi-Fi Audio Block Diagram

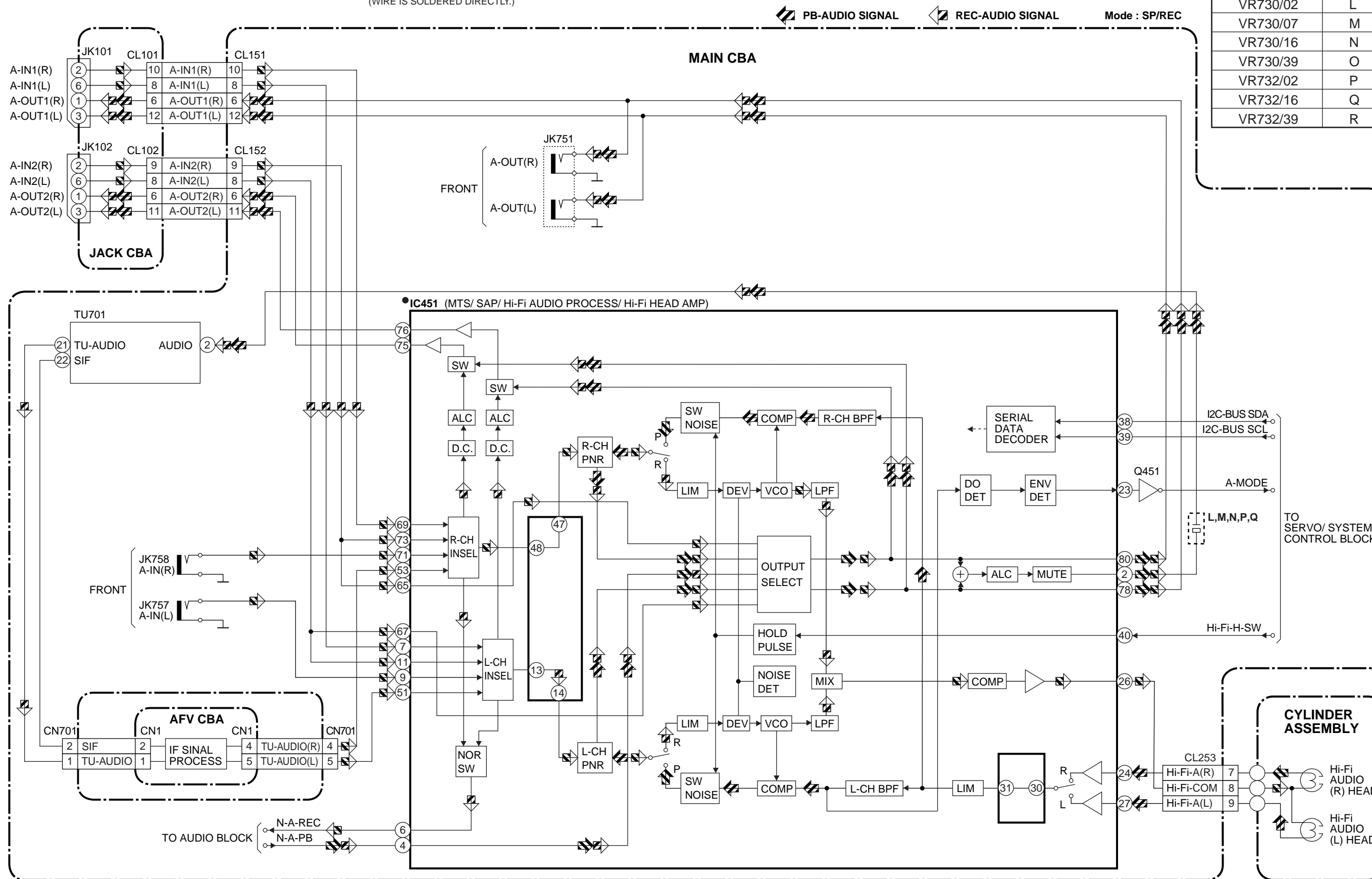
"●" = SMD

**NOTE FOR WIRE CONNECTORS:**  
 1. PREFIX SYMBOL "CN" MEANS CONNECTOR.  
 (CAN DISCONNECT AND RECONNECT.)  
 2. PREFIX SYMBOL "CL" MEANS WIRE-SOLDER  
 HOLES OF THE PCB.  
 (WIRE IS SOLDERED DIRECTLY.)

**TEST POINT INFORMATION**  
 ○ : INDICATES A TEST POINT WITH A JUMPER WIRE ACROSS A HOLE IN THE PCB.  
 □ : USED TO INDICATE A TEST POINT WITH A COMPONENT LEAD ON FOIL SIDE.  
 ⊗ : USED TO INDICATE A TEST POINT WITH NO TEST PIN.  
 ● : USED TO INDICATE A TEST POINT WITH A TEST PIN.

## Comparison Chart of Models & Marks

Model	Mark
VR730/02	L
VR730/07	M
VR730/16	N
VR730/39	O
VR732/02	P
VR732/16	Q
VR732/39	R

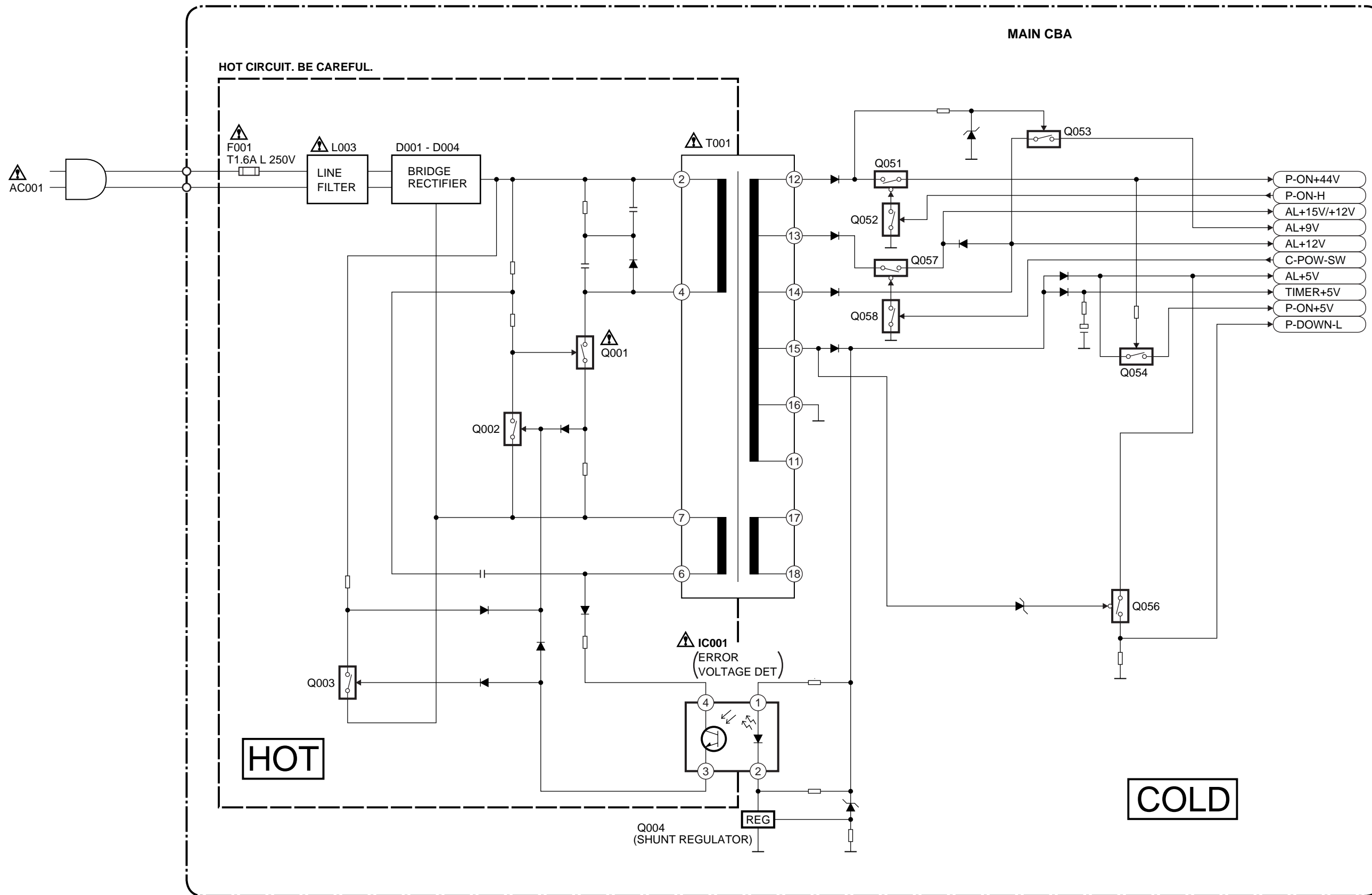


# Power Supply Block Diagram

**NOTE :**  
The voltage for parts in hot circuit is measured using hot GND as a common terminal.

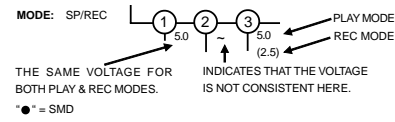
**CAUTION**  
FOR CONTINUED PROTECTION AGAINST FIRE HAZARD,  
REPLACE ONLY WITH THE SAME TYPE T1.6AL/250V FUSE.

**CAUTION !**  
Fixed voltage (or Auto voltage selectable ) power supply circuit is used in this unit.  
If Main Fuse (F001) is blown, check to see that all components in the power supply circuit are not defective before you connect the AC plug to the AC power supply.  
Otherwise it may cause some components in the power supply circuit to fail.





Main 1/6 Schematic Diagram

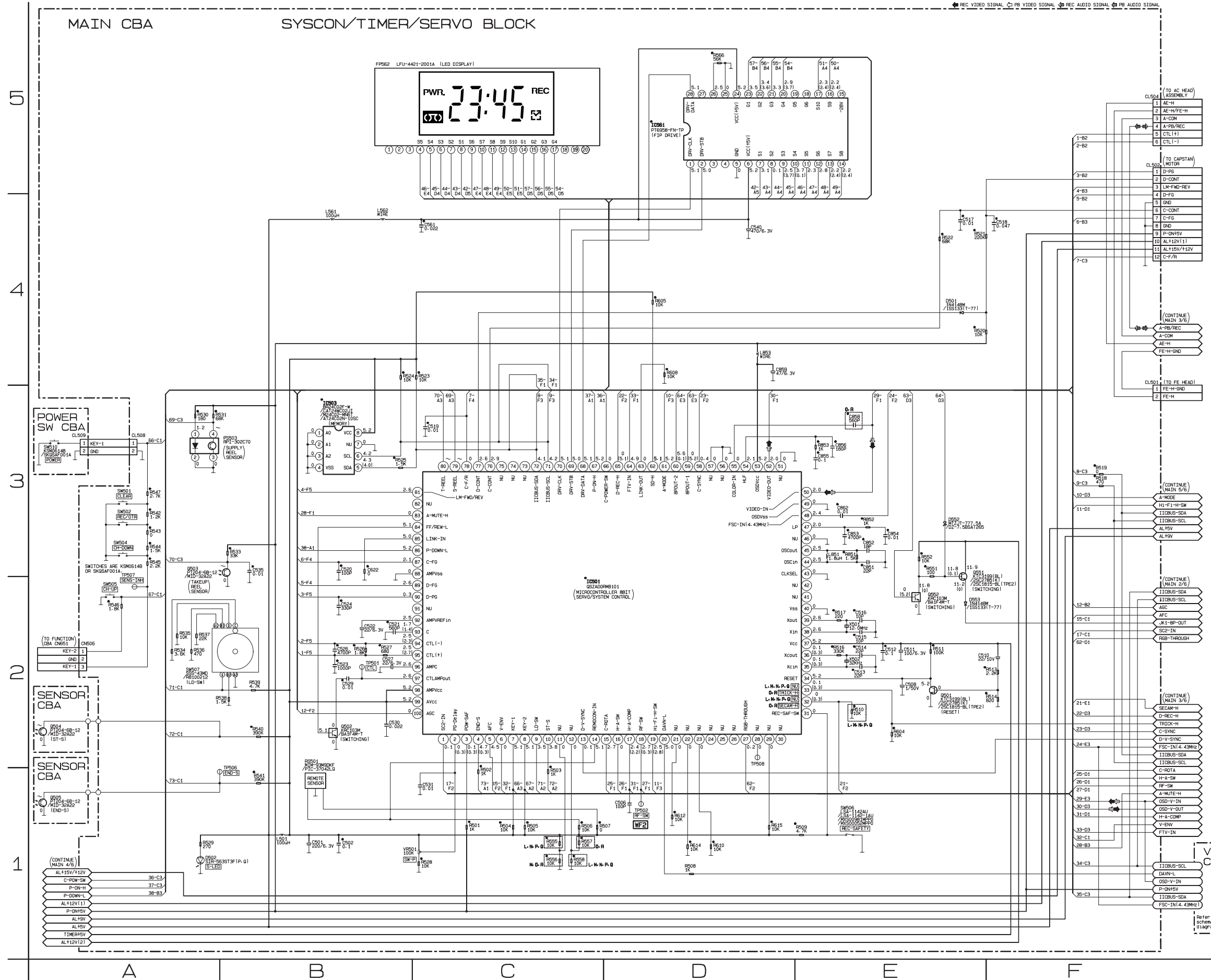


Comparison Chart of Models and Marks

MODEL	MARK	MODEL	MARK
VR730/02	L	VR732/02	P
VR730/07	M	VR732/16	Q
VR730/16	N	VR732/39	R
VR730/39	O		

IC501 KEY VOLTAGE CHART

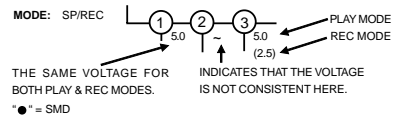
	KEY 1 (7PIN)	KEY 2 (8 PIN)
0.00 ~ 0.51V	POWER	CH UP
0.51 ~ 0.92V	-----	REW
0.92 ~ 1.27V	CLEAR	PLAY
1.27 ~ 1.61V	REC/OTR	FF
1.61 ~ 1.98V	CH DOWN	PAUSE
1.98 ~ 2.39V	S-INH	-----
2.39 ~ 2.90V	-----	STOP/EJECT
2.90 ~ 3.60V	-----	-----
3.60 ~ 4.30V	-----	-----
4.30 ~ 5.00V	KEY OFF	KEY OFF



MAIN 1/6 Schematic Diagram Parts Location Guide

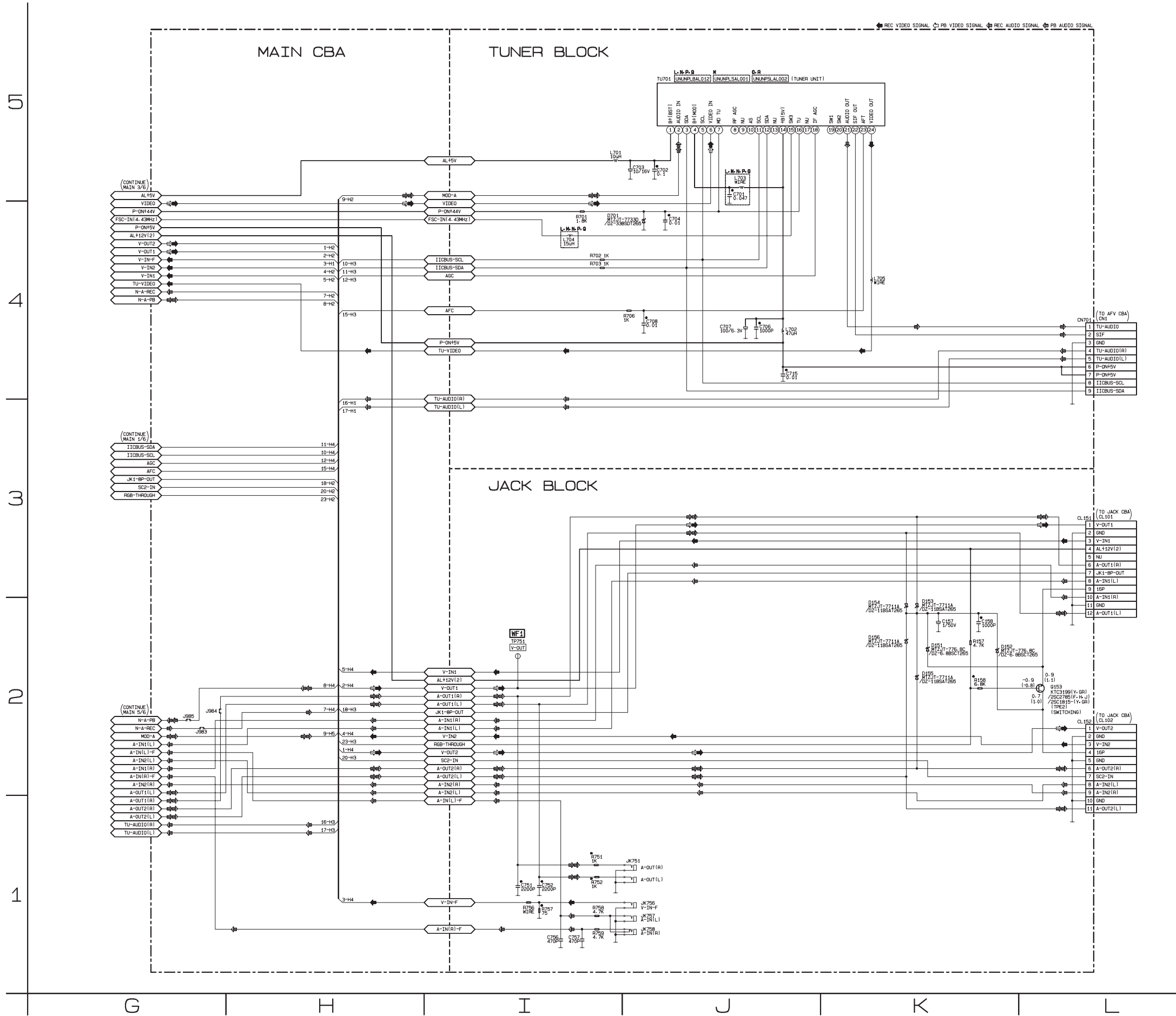
Ref No.	Position	Ref No.	Position
<b>CAPACITORS</b>			
C501	B-1	R509	E-1
C502	B-1	R510	E-2
C506	D-1	R511	E-2
C508	E-2	R513	F-2
C510	F-2	R514	F-2
C511	E-2	R516	E-2
C512	E-2	R517	E-2
C513	E-2	R518	F-3
C514	E-2	R519	F-3
C515	E-2	R520	E-4
C516	E-2	R521	E-4
C517	E-4	R522	E-4
C518	F-4	R523	C-4
C519	C-3	R524	B-4
C520	B-3	R525	B-3
C521	B-2	R526	B-2
C522	B-2	R527	B-2
C523	B-2	R528	C-1
C524	B-2	R529	A-1
C526	B-2	R530	A-3
C527	B-2	R531	A-3
C529	B-2	R533	B-3
C530	B-2	R534	A-2
C531	C-1	R535	A-2
C535	B-3	R536	A-2
C540	D-4	R537	A-2
C561	C-4	R538	B-2
C851	E-3	R539	B-2
C852	E-3	R540	B-2
C854	E-3	R542	A-3
C855	E-3	R543	A-3
C856	E-3	R544	A-3
C858	E-3	R545	A-2
C859	D-4	R546	A-2
C862	E-3	R547	A-3
<b>CONNECTORS</b>			
CL501	F-4	R552	E-3
CL502	F-5	R555	C-1
CL504	F-5	R556	C-1
CL505	A-2	R557	C-1
CL508	A-3	R558	C-1
CL509	A-3	R566	D-5
CN506	A-2	R604	E-2
<b>DIODES</b>			
D501	E-4	R608	D-4
D502	A-1	R610	D-1
D552	E-3	R612	D-1
D553	E-2	R614	D-1
<b>ICS</b>			
IC501	C-2	R851	E-3
IC503	B-3	R852	E-3
IC561	D-5	R853	E-3
<b>COILS</b>			
L501	B-1	SW501	A-3
L561	B-4	SW502	A-3
L562	B-4	SW504	A-3
L851	E-3	SW505	A-2
L853	D-4	SW506	E-1
<b>TRANSISTORS</b>			
Q501	E-2	VARIBLE RESISTORS	
Q502	B-2	VR501	B-1
Q503	A-3	CRYSTAL OSCILLATORS	
Q551	E-3	X501	E-2
Q552	E-2	X502	E-2
<b>RESISTORS</b>			
C622	B-3	FP562	B-5
R501	C-1	PS503	B-3
R502	C-1	RS501	B-2
R503	C-1	<b>TEST POINTS</b>	
R504	C-1	TP501	B-2
R505	C-1	TP502	D-1
R506	C-1	TP506	B-2
R507	C-1	TP507	A-2
R508	D-1	TP508	D-1

Main 2/6 Schematic Diagram



Comparison Chart of Models and Marks

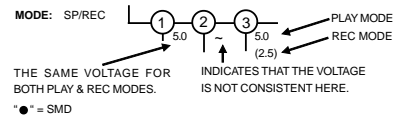
MODEL	MARK
VR730/02	L
VR730/07	M
VR730/16	N
VR730/39	O
VR732/02	P
VR732/16	Q
VR732/39	R



MAIN 2/6 Schematic Diagram Parts Location Guide

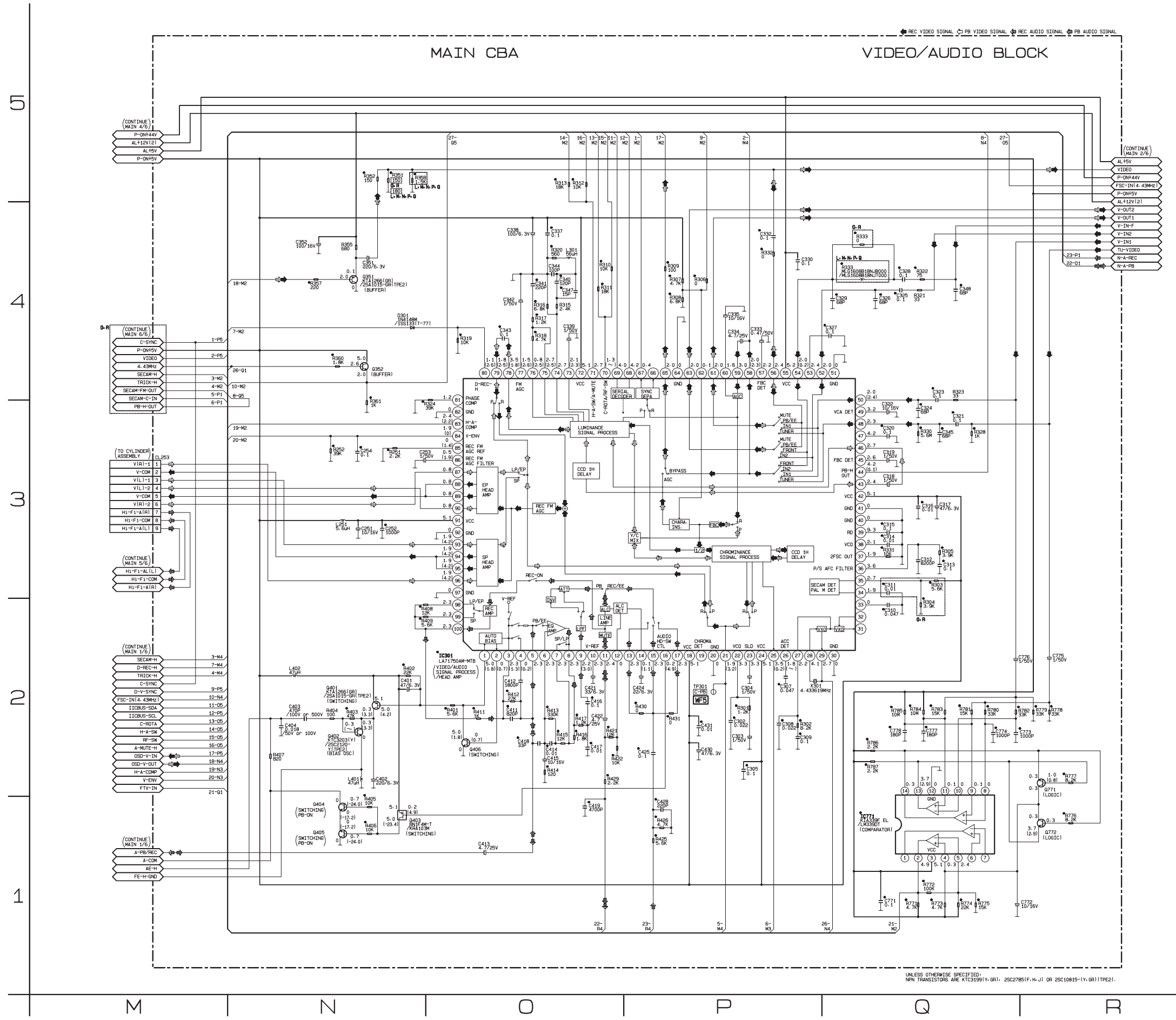
Ref No.	Position
CAPACITORS	
C157	K-2
C158	K-2
C701	J-5
C702	J-5
C703	J-5
C704	J-4
C706	J-4
C707	J-4
C708	J-4
C715	J-4
C751	I-1
C752	I-1
CONNECTORS	
CL151	L-3
CL152	L-2
CN701	L-4
DIODES	
D151	K-2
D152	K-2
D153	K-2
D154	K-2
D155	K-2
D156	K-2
D701	I-4
COILS	
L701	I-5
L702	J-4
L703	J-5
L704	I-4
L705	K-4
TRANSISTORS	
Q153	L-2
RESISTORS	
R157	K-2
R158	K-2
R701	I-4
R702	I-4
R703	I-4
R706	J-4
R751	I-1
R752	I-1
R756	I-1
R757	I-1
R758	I-1
R759	I-1
MISCELLANEOUS	
JK751	J-1
JK756	J-1
JK757	J-1
JK758	J-1
TU701	J-5
TEST POINT	
TP751	I-2

Main 3/6 Schematic Diagram



Comparison Chart of Models and Marks

MODEL	MARK
VR730/02	L
VR730/07	M
VR730/16	N
VR730/39	O
VR732/02	P
VR732/16	Q
VR732/39	R



MAIN 3/6 Schematic Diagram Parts Location Guide

Ref No.	Position	Ref No.	Position	Ref No.	Position
CAPACITORS			RESISTORS		
C251	N-3	C421	O-2	R321	Q-4
C252	N-3	C422	O-2	R322	Q-4
C253	O-3	C424	P-2	R323	Q-4
C254	N-3	C425	P-2	R324	O-3
C302	P-2	C428	P-1	R328	Q-3
C303	P-2	C430	P-2	R330	Q-3
C304	P-2	C431	P-2	R331	Q-3
C305	P-2	C756	I-1	R332	P-4
C307	P-2	C757	I-1	R333	Q-4
C308	P-2	C771	Q-1	R351	N-5
C309	P-2	C772	R-1	R352	N-5
C310	Q-2	C773	R-2	R355	N-4
C311	Q-3	C774	Q-2	R357	N-4
C312	Q-3	C775	R-2	R358	O-5
C313	Q-3	C776	Q-2	R360	N-4
C314	Q-3	C777	Q-2	R361	N-3
C315	Q-3	C778	Q-2	R401	O-2
C316	Q-3	CONNECTORS		R402	N-2
C317	Q-3	CL253	M-3	R403	N-2
C318	Q-3	DIODE		R404	N-2
C319	Q-3	D301	N-4	R405	N-1
C320	Q-3	ICS		R406	N-1
C321	Q-3	IC301	O-2	R407	N-2
C322	Q-3	IC771	Q-1	R408	O-2
C323	Q-4	COILS		R409	O-2
C324	Q-3	L251	N-3	R411	O-2
C325	Q-4	L301	O-4	R412	O-2
C326	Q-4	L401	N-2	R413	O-2
C327	Q-4	L402	N-2	R414	O-2
C328	Q-4	TRANSISTORS		R415	O-2
C329	Q-4	Q351	N-4	R416	O-2
C330	P-4	Q352	N-4	R417	O-2
C332	P-4	Q401	N-2	R421	O-2
C333	P-4	Q402	N-2	R422	O-2
C334	P-4	Q403	N-1	R425	P-1
C335	P-4	Q404	N-1	R426	P-1
C337	O-4	Q405	N-1	R429	O-2
C338	O-4	Q406	O-2	R430	P-2
C339	O-4	Q771	R-2	R431	P-2
C340	O-4	Q772	R-1	R771	Q-1
C341	O-4	RESISTORS		R772	Q-1
C342	O-4	R251	O-3	R773	Q-1
C343	O-4	R252	N-3	R774	Q-1
C344	O-4	R301	P-2	R775	Q-1
C345	O-4	R302	P-2	R776	R-2
C347	O-4	R303	Q-3	R777	R-2
C348	O-4	R304	Q-2	R778	R-2
C351	N-4	R305	Q-3	R779	R-2
C352	N-4	R306	P-4	R780	Q-2
C401	N-2	R307	P-4	R781	Q-2
C402	N-2	R308	P-4	R782	Q-2
C403	N-2	R309	P-4	R783	Q-2
C404	N-2	R310	O-4	R784	Q-2
C411	O-2	R311	O-4	R785	Q-2
C412	O-2	R312	O-5	R786	Q-2
C413	O-1	R313	O-5	R787	Q-2
C414	O-2	R315	O-4	CRYSTAL OSCILLATORS	
C415	O-2	R316	O-4	X301	P-2
C416	O-2	R317	O-4	TEST POINT	
C417	O-2	R318	O-4	TP301	P-2
C418	O-2	R319	O-4		
C419	O-1	R320	O-4		

UNLESS OTHERWISE SPECIFIED:  
 NPN TRANSISTORS ARE KTC13191(Y, GR), 28C2785(F, H, J) OR 28C10815-(Y, GR)11P2E1.

# Main 4/6 Schematic Diagram

## Comparison Chart of Models and Marks

MODEL	MARK
VR730/02	L
VR730/07	M
VR730/16	N
VR730/39	O
VR732/02	P
VR732/16	Q
VR732/39	R

### CAUTION I

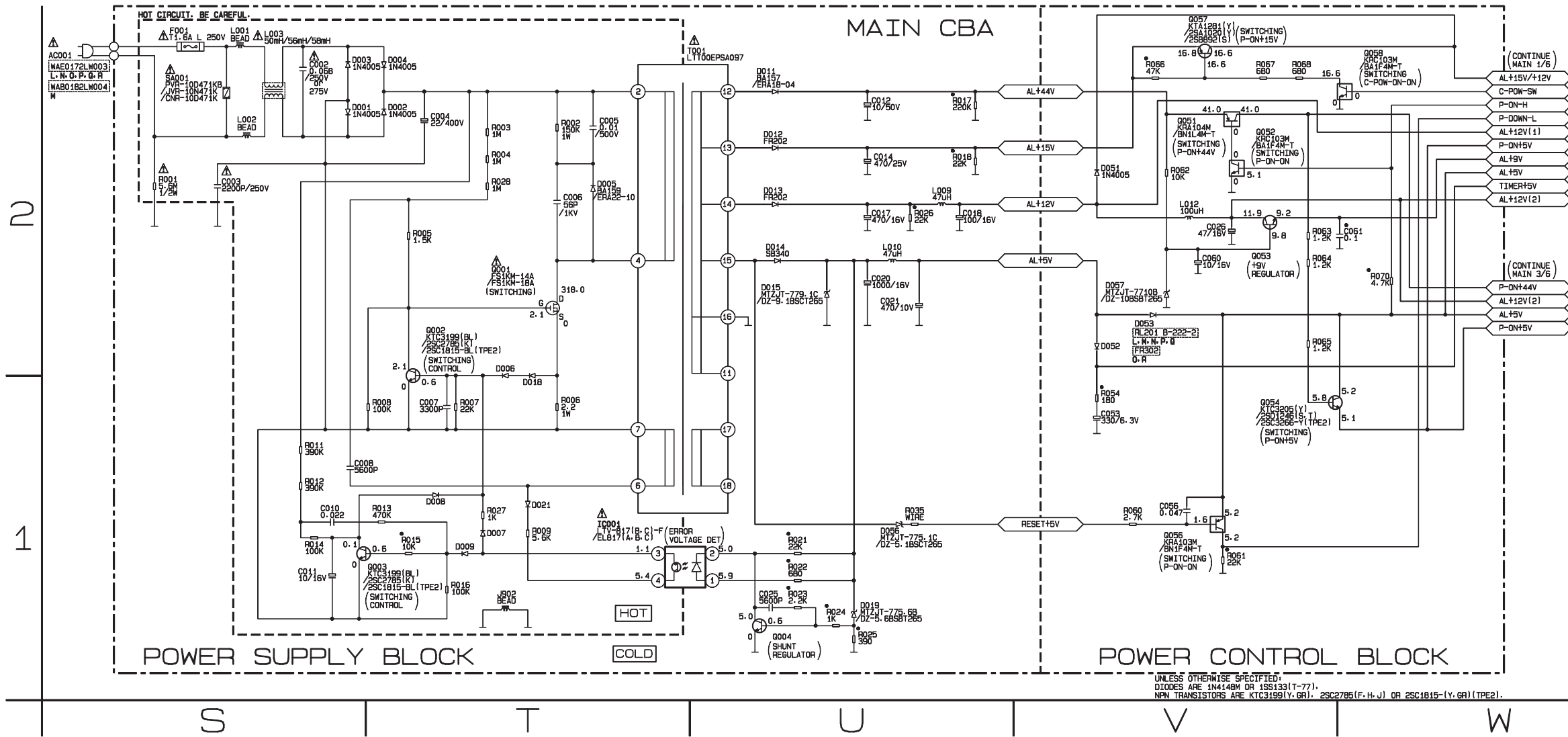
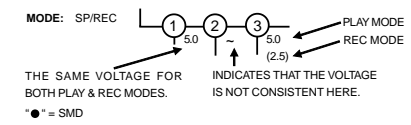
Fixed voltage power supply circuit is used in this unit.  
If Main Fuse (F001) is blown, check to see that all components in the power supply circuit are not defective before you connect the AC plug to the AC power supply. Otherwise it may cause some components in the power supply circuit to fail.

### NOTE:

The voltage for parts in hot circuit is measured using hot GND as a common terminal.

### CAUTION

FOR CONTINUED PROTECTION AGAINST FIRE HAZARD, REPLACE ONLY WITH THE SAME TYPE FUSE.

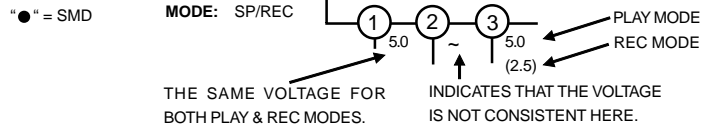


### MAIN 4/6 Schematic Diagram Parts Location Guide

Ref No.	Position	Ref No.	Position
CAPACITORS		TRANSISTORS	
C002	S-2	Q001	T-2
C003	S-2	Q002	T-2
C004	T-2	Q003	T-1
C005	T-2	Q004	U-1
C006	T-2	Q051	V-2
C007	T-1	Q052	V-2
C008	S-1	Q053	V-2
C010	S-1	Q054	V-1
C011	S-1	Q056	V-1
C012	U-2	Q057	V-2
C014	U-2	Q058	W-2
C017	U-2	RESISTORS	
C018	U-2	R001	S-2
C020	U-2	R002	T-2
C021	U-2	R003	T-2
C025	U-1	R004	T-2
C026	V-2	R005	T-2
C053	V-1	R006	T-1
C056	V-1	R007	T-1
C060	V-2	R008	T-1
C061	W-2	R009	T-1
DIODES		R011	S-1
D001	S-2	R012	S-1
D002	T-2	R013	T-1
D003	S-2	R014	S-1
D004	T-2	R015	T-1
D005	T-2	R016	T-1
D006	T-2	R017	U-2
D007	T-1	R018	U-2
D008	T-1	R021	U-1
D009	T-1	R022	U-1
D011	U-2	R023	U-1
D012	U-2	R024	U-1
D013	U-2	R025	U-1
D014	U-2	R026	U-2
D015	U-2	R027	T-1
D018	T-1	R028	T-2
D019	U-1	R035	U-1
D021	T-1	R054	V-2
D051	V-2	R060	V-1
D052	V-2	R061	V-1
D053	V-2	R062	V-2
D056	U-1	R063	V-2
D057	V-2	R064	V-2
ICS		R065	V-2
IC001	T-1	R066	V-2
COILS		R067	V-2
J902	T-1	R068	V-2
L001	S-2	R070	W-2
L002	S-2	MISCELLANEOUS	
L003	S-2	AC001	S-2
L009	U-2	F001	S-2
L010	U-2	SA001	S-2
L012	T-1	T001	T-2

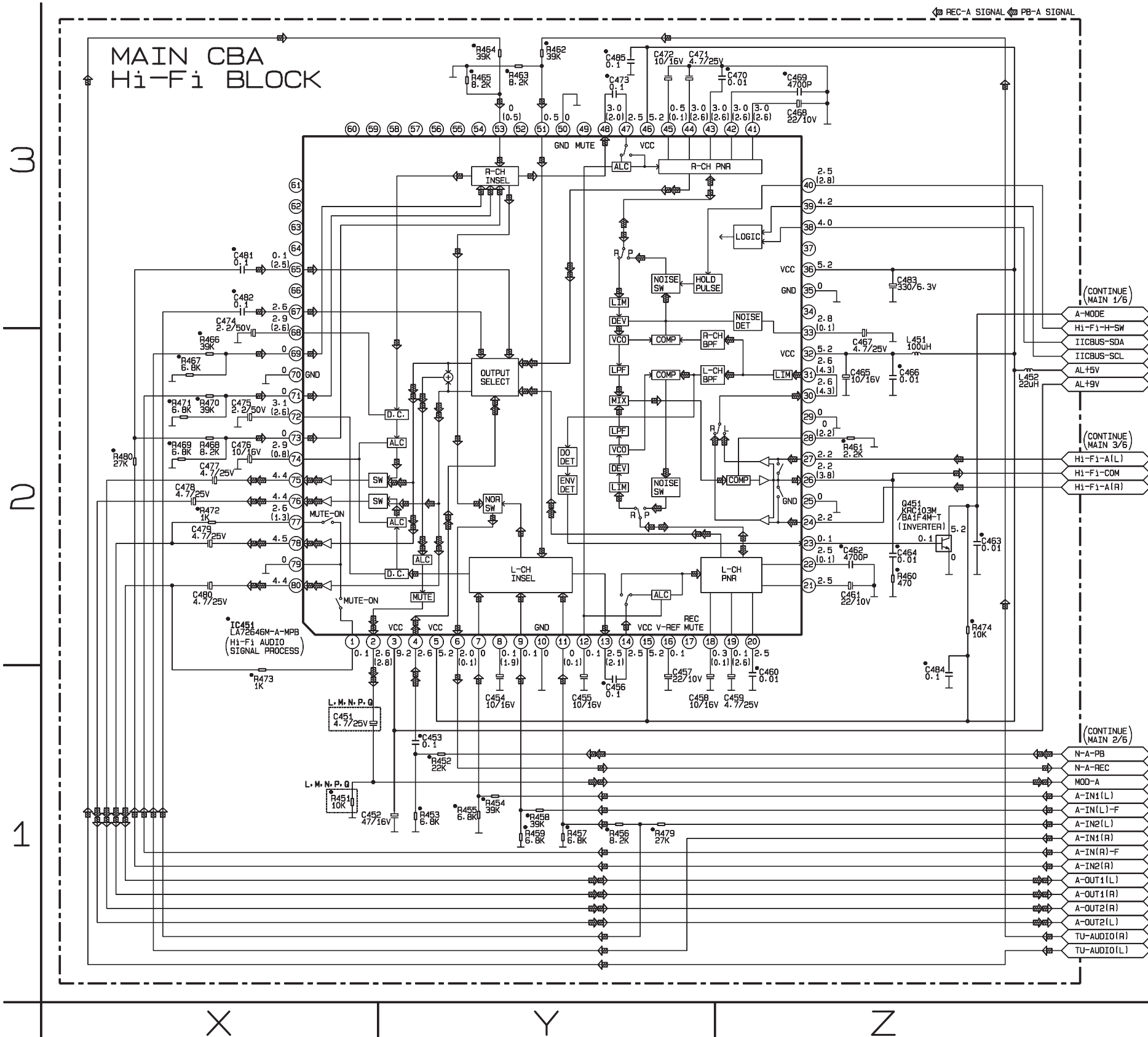
UNLESS OTHERWISE SPECIFIED:  
DIODES ARE 1N4148M OR 1SS133(T-77).  
NPN TRANSISTORS ARE KTC3199(Y, GR), 2SC2785(F, H, J) OR 2SC1815-(Y, GR) (TPE2).

# Main 5/6 Schematic Diagram



## Comparison Chart of Models and Marks

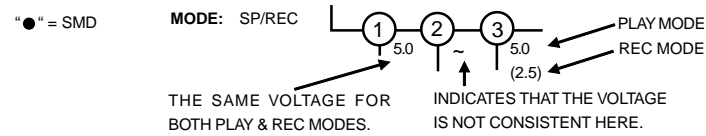
MODEL	MARK
VR730/02	L
VR730/07	M
VR730/16	N
VR730/39	O
VR732/02	P
VR732/16	Q
VR732/39	R



## MAIN 5/6 Schematic Diagram Parts Location Guide

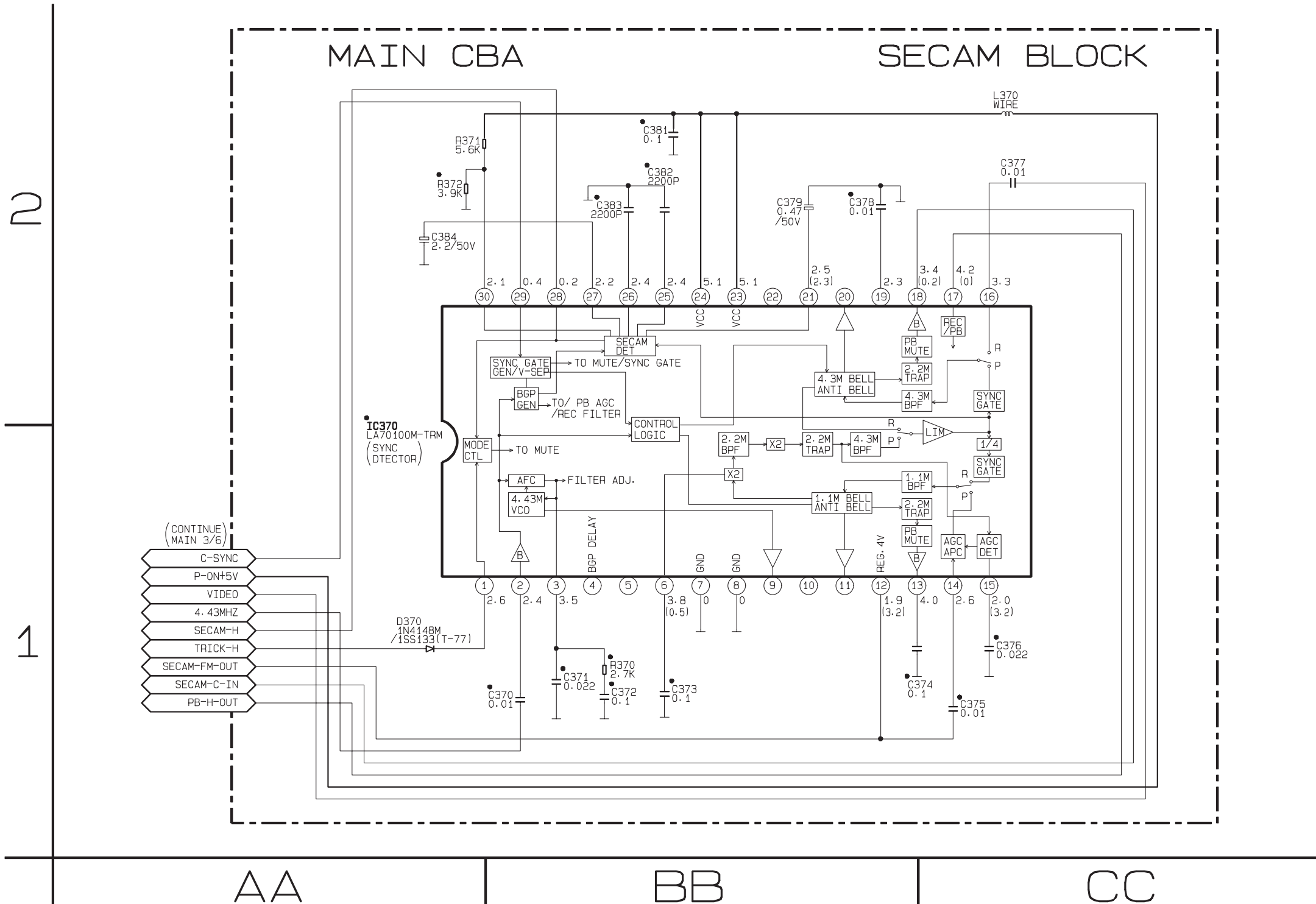
Ref No.	Position	Ref No.	Position
CAPACITORS		IC	
C451	X-1	IC451	X-2
C452	X-1	COILS	
C453	Y-1	L451	Z-2
C454	Y-1	L452	Z-2
C455	Y-1	TRANSISTOR	
C456	Y-1	Q451	Z-2
C457	Y-1	RESISTORS	
C458	Y-1	R451	X-1
C459	Z-1	R452	Y-1
C460	Z-1	R453	Y-1
C461	Z-2	R454	Y-1
C462	Z-2	R455	Y-1
C463	Z-2	R456	Y-1
C464	Z-2	R457	Y-1
C465	Z-2	R458	Y-1
C466	Z-2	R459	Y-1
C467	Z-2	R460	Z-2
C468	Z-3	R461	Z-2
C469	Z-3	R462	Y-3
C470	Z-3	R463	Y-3
C471	Y-3	R464	Y-3
C472	Y-3	R465	Y-3
C473	Y-3	R466	X-2
C474	X-3	R467	X-2
C475	X-2	R468	X-2
C476	X-2	R469	X-2
C477	X-2	R470	X-2
C478	X-2	R471	X-2
C479	X-2	R472	X-2
C480	X-2	R473	X-1
C481	X-3	R474	Z-2
C482	X-3	R479	Y-1
C483	Z-3	R480	X-2
C484	Z-1		
C485	Y-3		

# Main 6/6 Schematic Diagram ( O, R )



## Comparison Chart of Models and Marks

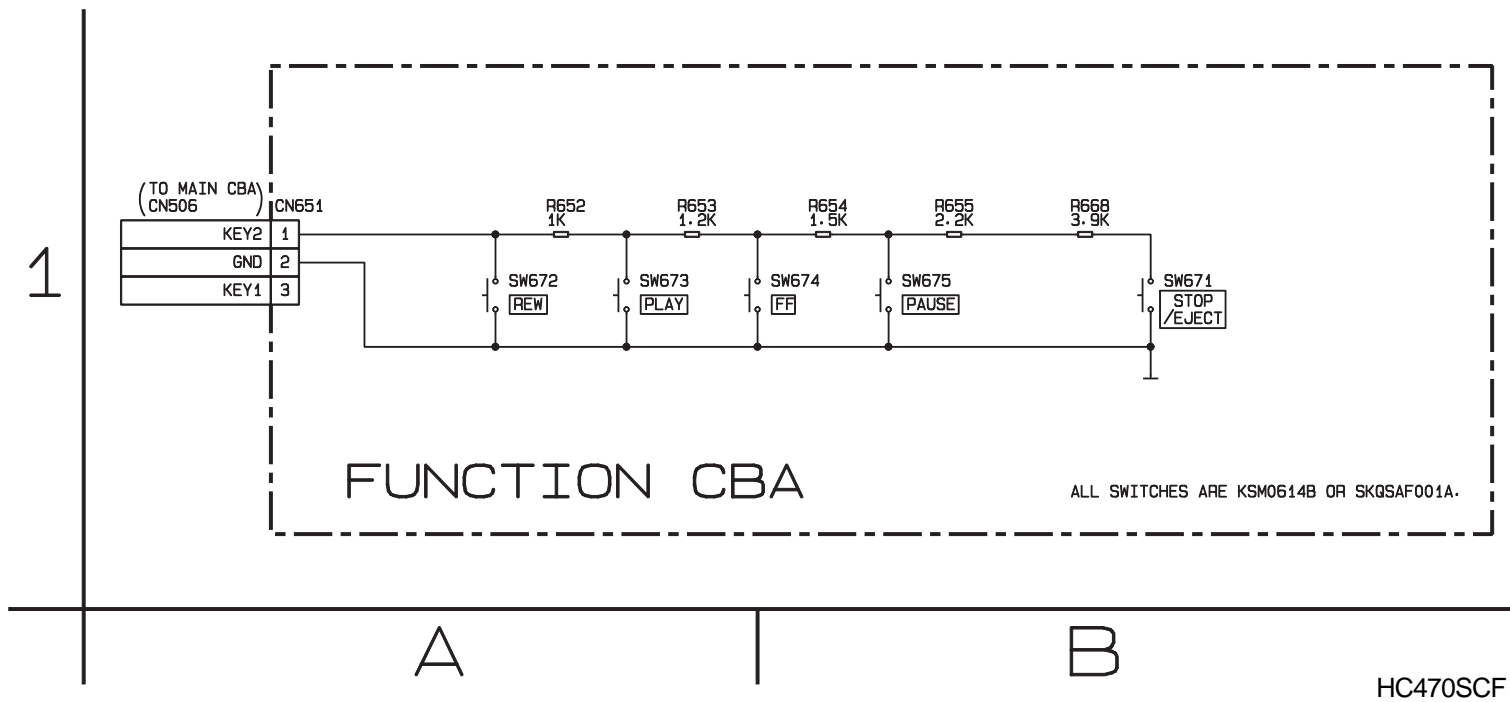
MODEL	MARK
VR730/02	L
VR730/07	M
VR730/16	N
VR730/39	O
VR732/02	P
VR732/16	Q
VR732/39	R



## MAIN 6/6 Schematic Diagram Parts Location Guide ( O, R )

Ref No.	Position
CAPACITORS	
C370	BB-1
C371	BB-1
C372	BB-1
C373	BB-1
C374	BB-1
C375	CC-1
C376	CC-1
C377	CC-2
C378	BB-2
C379	BB-2
C381	BB-2
C382	BB-2
C383	BB-2
C384	AA-2
DIODE	
D370	AA-1
IC	
IC370	AA-1
COILS	
L370	CC-2
RESISTORS	
R370	BB-1
R371	AA-2
R372	AA-2

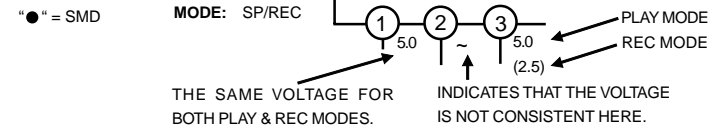
# Function Schematic Diagram



Function Schematic Diagram  
Parts Location Guide

Ref No.	Position
CONNECTOR	
CN651	A-1
RESISTORS	
R652	A-1
R653	A-1
R654	B-1
R655	B-1
R668	B-1
SWITCHES	
SW671	B-1
SW672	A-1
SW673	A-1
SW674	B-1
SW675	B-1

# AFV Schematic Diagram

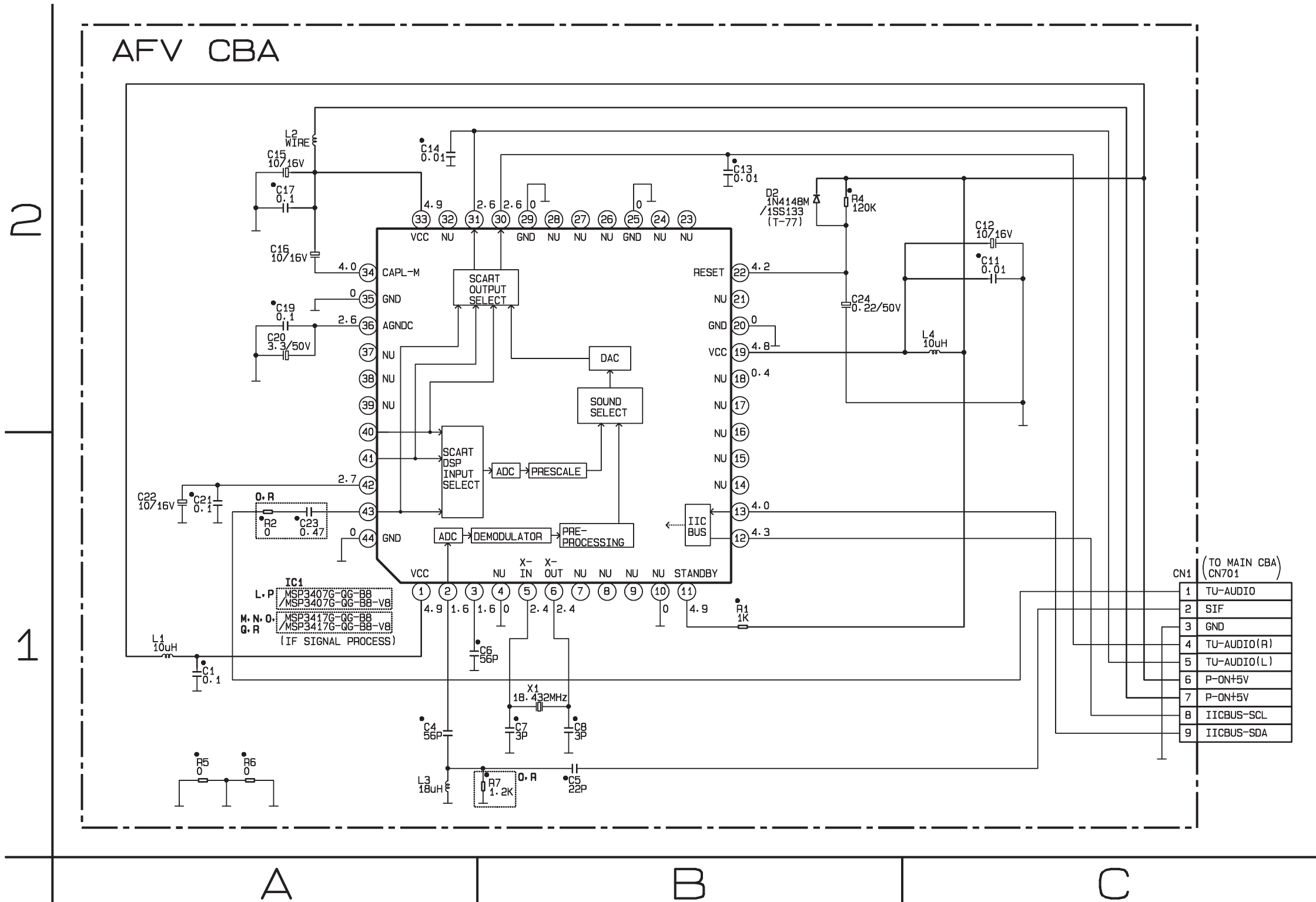


## Comparison Chart of Models and Marks

MODEL	MARK
VR730/02	L
VR730/07	M
VR730/16	N
VR730/39	O
VR732/02	P
VR732/16	Q
VR732/39	R

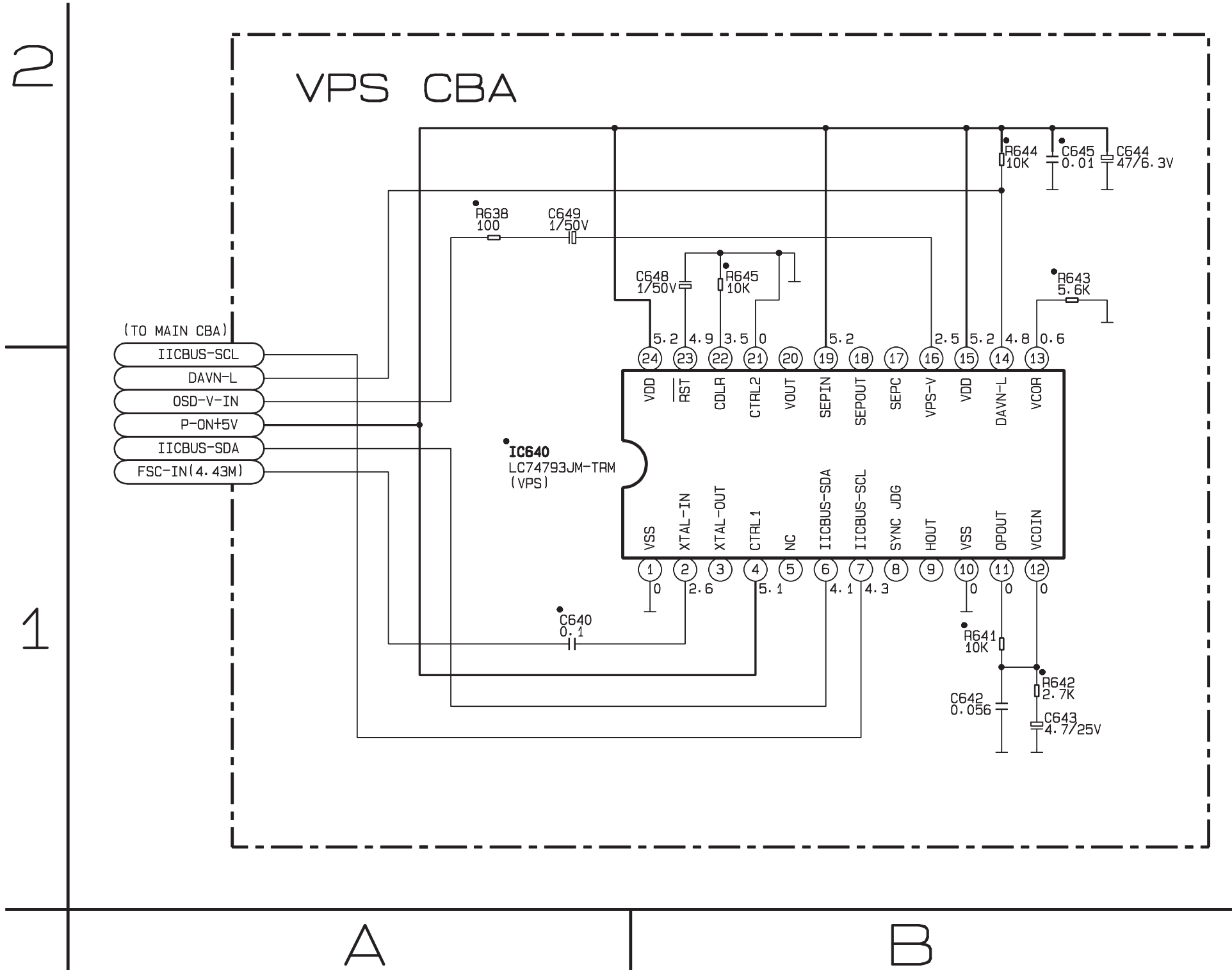
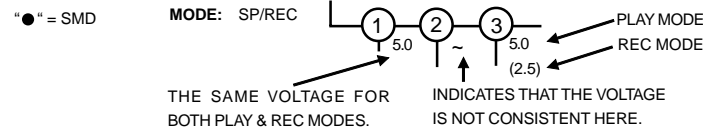
## AFV Schematic Diagram Parts Location Guide

Ref No.	Position
CAPACITORS	
C1	A-1
C4	A-1
C5	B-1
C6	B-1
C7	B-1
C8	B-1
C11	C-2
C12	C-2
C13	B-2
C14	A-2
C15	A-2
C16	A-2
C17	A-2
C19	A-2
C20	A-2
C21	A-1
C22	A-1
C23	A-1
C24	B-2
CONNECTOR	
CN1	C-1
DIODE	
D2	B-2
IC	
IC1	A-1
COILS	
L1	A-1
L2	A-2
L3	A-1
L4	C-2
RESISTORS	
R1	B-1
R2	A-1
R4	B-2
R5	A-1
R6	A-1
R7	B-1
CRYSTAL OSCILLATORS	
X1	B-1





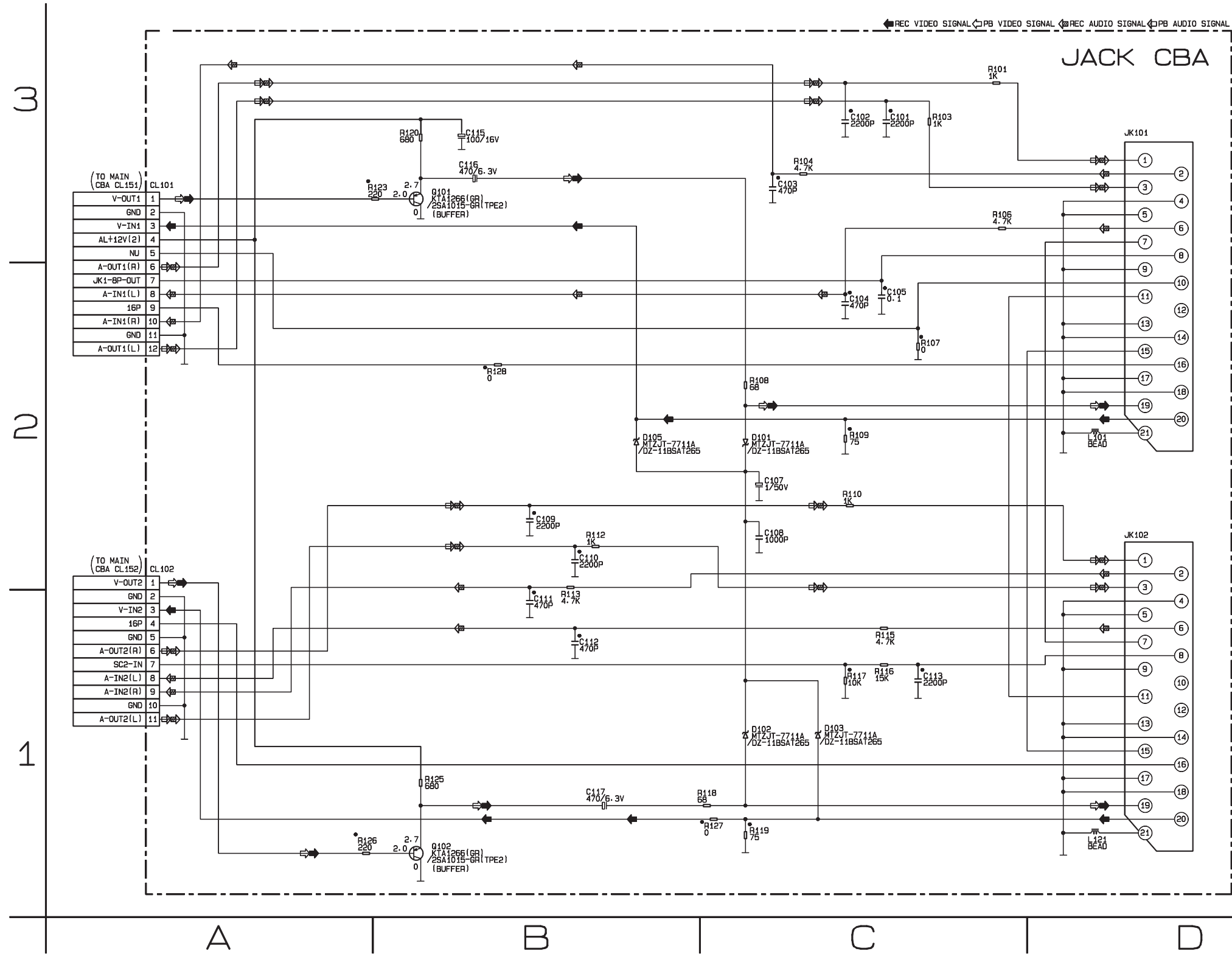
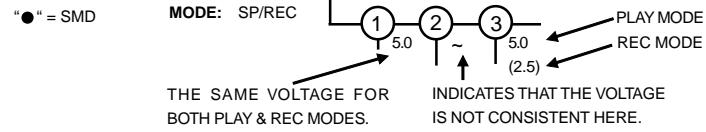
# VPS Schematic Diagram



VPS Schematic Diagram  
Parts Location Guide

Ref No.	Position
CAPACITORS	
C640	A-1
C642	B-1
C643	B-1
C644	B-2
C645	B-2
C648	B-2
C649	A-2
IC	
IC640	A-2
RESISTORS	
R638	A-2
R641	B-1
R642	B-1
R643	B-2
R644	B-2
R645	B-2

# Jack Schematic Diagram



Jack Schematic Diagram Parts Location Guide

Ref No.	Position	Ref No.	Position
CAPACITORS		TRANSISTORS	
C101	C-3	Q102	B-1
C102	C-3	RESISTORS	
C103	C-3	R101	C-3
C104	C-2	R103	C-3
C105	C-2	R104	C-3
C107	C-2	R106	C-3
C108	C-2	R107	C-2
C109	B-2	R108	C-2
C110	B-2	R109	C-2
C111	B-1	R110	C-2
C112	B-1	R112	B-2
C113	C-1	R113	B-1
C115	B-3	R115	C-1
C116	B-3	R116	C-1
C117	B-1	R117	C-1
CONNECTORS		R118	C-1
CL101	A-3	R119	C-1
CL102	A-2	R120	B-3
DIODES		R123	B-3
D101	C-2	R125	B-1
D102	C-1	R126	A-1
D103	C-1	R127	C-1
D105	B-2	R128	B-2
COILS		MISCELLANEOUS	
L101	D-2	JK101	D-3
L121	D-1	JK102	D-2
TRANSISTORS			
Q101	B-3		

Main CBA Top View

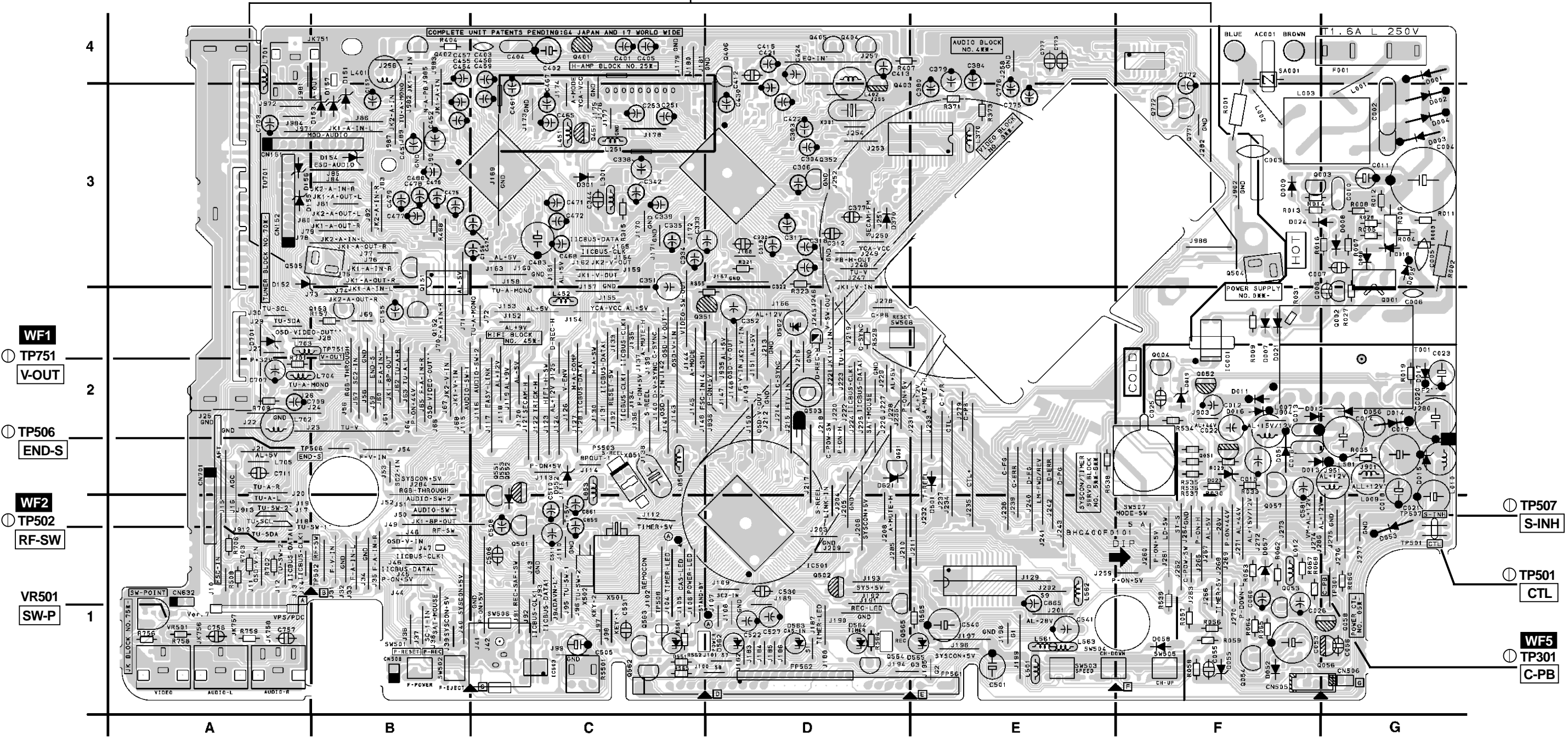
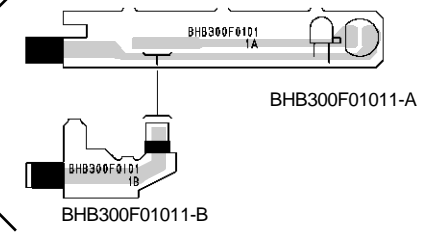
BECAUSE A HOT CHASSIS GROUND IS PRESENT IN THE POWER SUPPLY CIRCUIT, AN ISOLATION TRANSFORMER MUST BE USED. ALSO, IN ORDER TO HAVE THE ABILITY TO INCREASE THE INPUT SLOWLY, WHEN TROUBLESHOOTING THIS TYPE POWER SUPPLY CIRCUIT, A VARIABLE ISOLATION TRANSFORMER IS REQUIRED.

CAUTION  
FOR CONTINUED PROTECTION AGAINST FIRE HAZARD, REPLACE ONLY WITH THE SAME TYPE FUSE.

CAUTION!  
Fixed voltage power supply circuit is used in this unit.  
If Main Fuse (F001) is blown, check to see that all components in the power supply circuit are not defective before you connect the AC plug to the AC power supply. Otherwise it may cause some components in the power supply circuit to fail.

NOTE:  
The voltage for parts in hot circuit is measured using hot GND as a common terminal.

Sensor CBA Top View



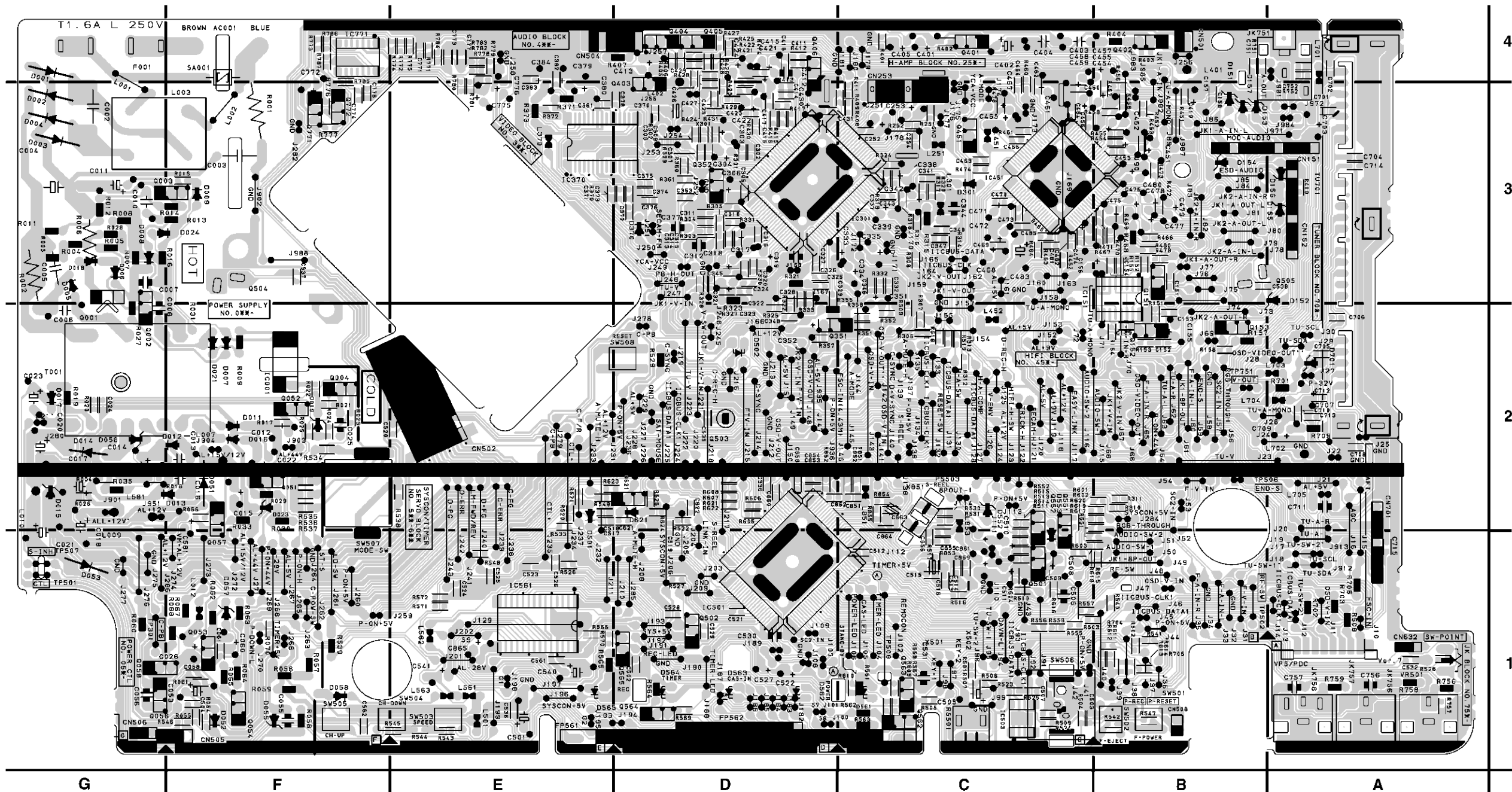
Main CBA Bottom View

BECAUSE A HOT CHASSIS GROUND IS PRESENT IN THE POWER SUPPLY CIRCUIT, AN ISOLATION TRANSFORMER MUST BE USED. ALSO, IN ORDER TO HAVE THE ABILITY TO INCREASE THE INPUT SLOWLY, WHEN TROUBLESHOOTING THIS TYPE POWER SUPPLY CIRCUIT, A VARIABLE ISOLATION TRANSFORMER IS REQUIRED.

**CAUTION**  
FOR CONTINUED PROTECTION AGAINST FIRE HAZARD, REPLACE ONLY WITH THE SAME TYPE FUSE.

**CAUTION !**  
Fixed voltage power supply circuit is used in this unit.  
If Main Fuse (F001) is blown, check to see that all components in the power supply circuit are not defective before you connect the AC plug to the AC power supply. Otherwise it may cause some components in the power supply circuit to fail.

**NOTE:**  
The voltage for parts in hot circuit is measured using hot GND as a common terminal.



# Main CBA Parts Location Guide

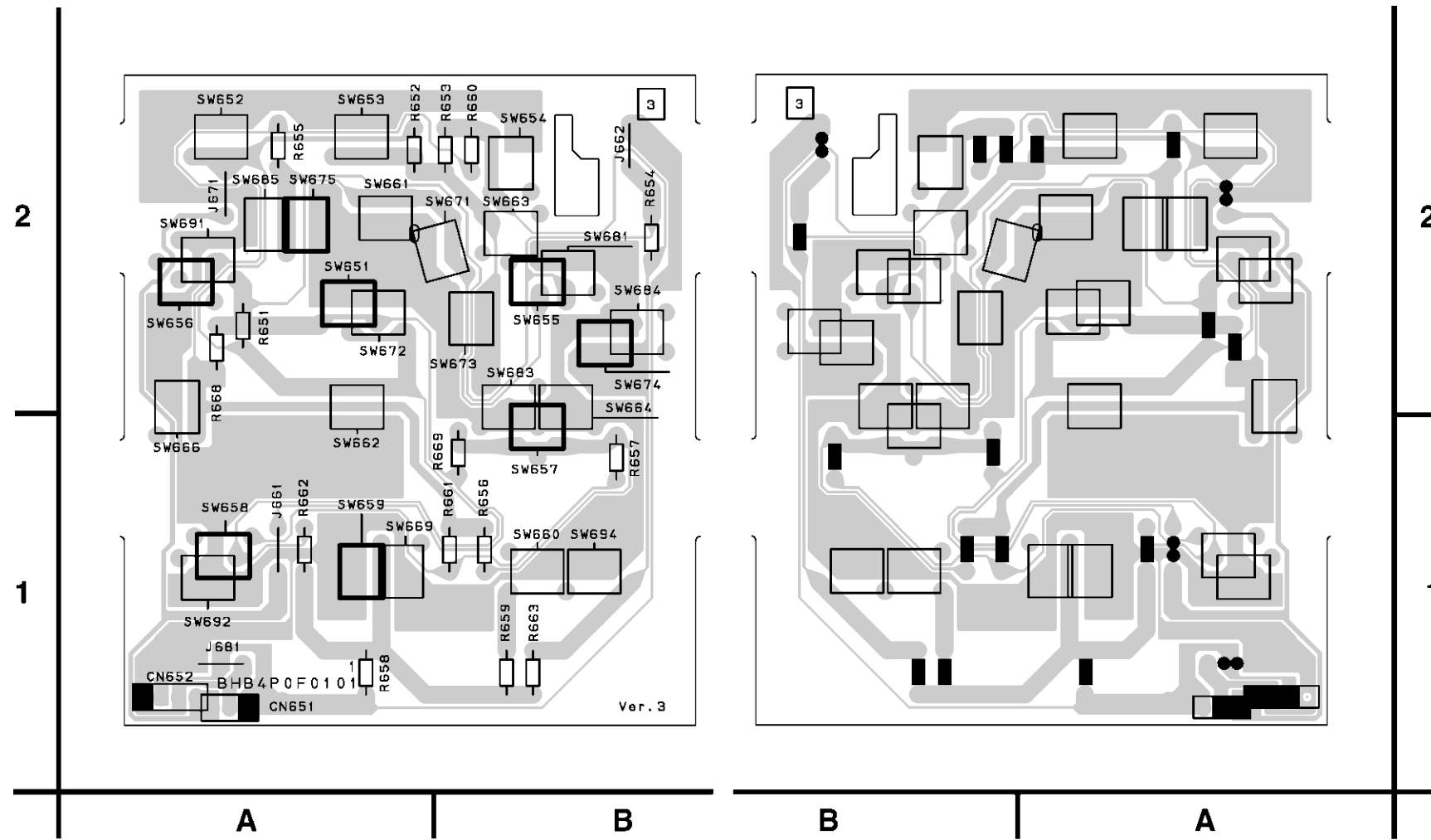
Ref No.	Position	Ref No.	Position	Ref No.	Position	Ref No.	Position	Ref No.	Position	Ref No.	Position	Ref No.	Position	Ref No.	Position	Ref No.	Position
CAPACITORS		CAPACITORS		CAPACITORS		CAPACITORS		ICS		RESISTORS		RESISTORS		RESISTORS		RESISTORS	
C002	G-3	C341	C-3	C471	C-3	C851	C-2	IC503	C-1	R006	G-3	R333	D-2	R504	C-1	R758	A-1
C003	F-3	C342	C-3	C472	C-3	C852	C-2	IC561	E-1	R007	G-3	R351	C-2	R505	C-1	R759	A-1
C004	G-3	C343	C-3	C473	C-3	C853	D-2	IC771	F-4	R008	G-3	R352	C-2	R506	C-1	R771	E-4
C005	G-3	C344	C-3	C474	C-3	C854	D-2	COILS		R009	F-2	R355	C-2	R507	C-1	R772	E-4
C006	G-2	C345	D-3	C475	B-3	C855	C-1	J902	F-3	R011	G-3	R357	D-2	R508	A-1	R773	F-4
C007	F-3	C347	C-3	C476	B-3	C856	C-1	L001	G-4	R012	G-3	R358	C-3	R509	C-1	R774	E-4
C008	F-2	C348	D-2	C477	B-3	C858	D-2	L002	F-3	R013	F-3	R360	D-3	R510	C-1	R775	E-4
C010	G-3	C351	C-3	C478	B-3	C859	C-1	L003	F-3	R014	F-3	R361	D-3	R511	C-2	R776	F-4
C011	G-3	C352	D-2	C479	B-3	C862	D-2	L009	G-1	R015	F-3	R370	E-3	R513	C-2	R777	F-3
C012	F-2	C370	D-3	C480	B-3	CONNECTORS		L010	G-2	R016	F-3	R371	E-3	R514	C-2	R778	E-4
C014	G-2	C371	E-3	C481	C-3	CL151	A-3	L012	F-1	R017	F-2	R372	E-3	R516	C-1	R779	E-4
C017	G-2	C372	D-3	C482	C-3	CL152	A-3	L251	C-3	R018	F-2	R401	C-4	R517	C-1	R780	E-4
C018	G-1	C373	E-3	C483	C-3	CL253	C-4	L301	C-3	R021	F-2	R402	C-4	R518	C-2	R781	E-4
C020	G-2	C374	D-3	C484	C-3	CL501	B-4	L370	E-3	R022	F-2	R403	B-4	R519	C-2	R782	E-4
C021	G-1	C375	D-3	C485	C-3	CL502	E-2	L401	B-4	R023	F-2	R404	B-4	R520	E-2	R783	E-4
C025	F-2	C376	D-3	C501	E-1	CL504	E-4	L402	D-3	R024	F-2	R405	D-4	R521	E-2	R784	E-4
C026	F-1	C377	D-3	C502	D-1	CL505	F-1	L451	C-3	R025	F-2	R406	D-4	R522	D-2	R785	F-4
C053	F-1	C378	D-3	C506	C-1	CL508	B-1	L452	C-2	R026	G-2	R407	D-4	R523	C-1	R786	F-4
C056	G-1	C379	E-4	C508	C-1	CL509	B-1	L501	E-1	R027	G-2	R408	C-3	R524	C-1	R787	F-4
C060	F-1	C381	E-3	C510	C-2	CN506	G-1	L561	E-1	R028	G-3	R409	C-3	R525	C-1	R851	C-2
C061	F-1	C382	E-4	C511	C-1	CN701	A-2	L562	E-1	R035	G-2	R411	C-4	R526	E-1	R852	D-2
C157	B-4	C383	E-3	C512	C-1	DIODES		L701	A-4	R054	F-1	R412	D-4	R527	D-1	R853	C-1
C158	B-3	C384	E-4	C513	C-1	D001	G-4	L702	A-2	R060	G-1	R413	D-4	R528	A-1	SWITCHES	
C251	C-3	C401	C-4	C514	C-1	D002	G-3	L703	A-2	R061	F-1	R414	D-4	R529	D-2	SW501	B-1
C252	C-3	C402	C-4	C515	C-1	D003	G-3	L704	B-2	R062	F-1	R415	D-3	R530	C-2	SW502	B-1
C253	C-3	C403	C-4	C516	C-1	D004	G-3	L705	A-2	R063	F-1	R416	D-3	R531	C-2	SW504	E-1
C254	C-3	C404	C-4	C517	E-2	D005	G-3	L851	C-2	R064	F-1	R417	D-3	R533	E-2	SW505	F-1
C302	D-3	C411	D-4	C518	E-2	D006	G-3	L853	C-1	R065	F-1	R421	D-4	R534	F-2	SW506	C-1
C303	D-3	C412	D-4	C519	D-1	D007	F-2	TRANSISTORS		R066	F-2	R422	D-4	R535	F-2	SW507	F-1
C304	D-3	C413	D-4	C520	D-1	D008	G-3	Q001	G-2	R067	F-1	R425	D-4	R536	F-2	VARIABLE RESISTORS	
C305	D-3	C414	D-4	C521	D-1	D009	F-3	Q002	G-2	R068	F-1	R426	D-4	R537	F-1	VR501	A-1
C307	D-3	C415	D-4	C522	D-1	D011	F-2	Q003	F-3	R070	F-1	R429	D-3	R538	E-2	CRYSTAL OSCILLATORS	
C308	D-3	C416	D-3	C523	E-1	D012	F-2	Q004	F-2	R157	B-2	R430	D-3	R539	F-1	X301	D-3
C309	D-3	C417	D-3	C524	E-1	D013	F-2	Q051	F-2	R158	B-2	R431	D-3	R540	B-1	X501	C-1
C310	D-3	C418	D-4	C526	E-1	D014	G-2	Q052	F-2	R251	C-3	R451	B-3	R541	B-1	X502	C-1
C311	D-3	C419	D-3	C527	D-1	D015	G-2	Q053	F-1	R252	C-3	R452	B-3	R542	B-1	MISCELLANEOUS	
C312	D-3	C421	D-4	C529	D-1	D018	G-3	Q054	F-1	R301	D-3	R453	B-3	R543	E-1	AC001	F-4
C313	D-3	C422	D-3	C530	D-1	D019	F-2	Q056	F-1	R302	D-3	R454	B-3	R544	E-1	F001	G-4
C314	D-3	C424	D-4	C531	C-1	D021	F-2	Q057	F-1	R303	D-3	R455	B-3	R545	F-1	FP562	D-1
C315	D-3	C425	D-3	C535	D-2	D051	F-2	Q058	G-1	R304	D-3	R456	B-4	R546	G-1	JK751	B-4
C316	D-3	C428	D-4	C540	E-1	D052	F-1	Q153	B-2	R305	D-3	R457	B-3	R547	B-1	JK756	A-1
C317	D-3	C430	D-3	C561	E-1	D053	G-1	Q351	C-2	R306	C-2	R458	B-3	R551	C-2	JK757	A-1
C318	D-3	C431	C-3	C622	D-2	D056	G-2	Q352	D-3	R307	C-3	R459	C-3	R552	C-2	JK758	A-1
C319	D-3	C451	B-3	C701	A-3	D057	F-1	Q401	C-4	R308	C-3	R460	C-4	R555	C-1	PS503	C-2
C320	D-3	C452	B-3	C702	A-4	D151	B-4	Q402	B-4	R309	C-3	R461	C-3	R556	C-1	RS501	C-1
C321	D-3	C453	B-3	C703	A-3	D152	A-3	Q403	D-4	R310	B-2	R462	C-3	R557	C-1	SA001	F-4
C322	D-3	C454	B-4	C704	A-3	D153	B-3	Q404	D-4	R311	B-2	R463	C-3	R558	C-1	T001	G-2
C323	D-2	C455	B-4	C706	A-2	D154	B-3	Q405	D-4	R312	C-2	R464	C-3	R566	E-1	TU701	A-3
C324	D-3	C456	C-3	C707	A-2	D155	A-3	Q406	D-4	R313	C-2	R465	C-3	R604	C-1	TEST POINTS	
C325	D-3	C457	B-4	C708	A-2	D156	A-3	Q451	C-3	R315	C-3	R466	B-3	R605	D-2	TP301	G-1
C326	D-3	C458	C-4	C715	A-1	D301	C-3	Q501	C-1	R316	C-3	R467	B-3	R608	D-2	TP501	G-1
C327	D-3	C459	C-4	C751	B-4	D370	D-3	Q502	D-1	R317	C-3	R468	B-3	R610	C-1	TP502	B-1
C328	D-3	C460	C-3	C752	A-3	D501	E-1	Q503	D-2	R318	C-3	R469	B-3	R612	B-1	TP506	A-2
C329	C-3	C461	C-3	C756	A-1	D502	D-2	Q551	C-2	R319	C-3	R470	B-3	R614	B-1	TP507	G-1
C330	D-3	C462	C-4	C757	A-1	D552	C-2	Q552	C-2	R320	C-3	R471	B-3	R615	B-1	TP508	C-1
C332	C-3	C463	C-3	C771	E-4	D553	C-2	Q771	F-3	R321	D-3	R472	B-3	R701	A-2	TP751	B-2
C333	C-3	C464	C-4	C772	F-4	D701	A-2	Q772	F-3	R322	D-3	R473	B-3	R702	A-1		
C334	C-3	C465	C-3	C773	E-4	ICS		RESISTORS		R323	D-2	R474	C-3	R703	A-1		
C335	C-3	C466	C-3	C774	F-3	IC001	F-2	R001	F-3	R324	C-3	R479	B-3	R706	A-1		
C337	C-3	C467	C-3	C775	E-3	IC301	C-3	R002	G-3	R328	D-3	R480	B-3	R751	B-4		
C338	C-3	C468	C-3	C776	E-3	IC370	E-3	R003	G-3	R330	D-3	R501	C-1	R752	A-3		
C339	C-3	C469	C-3	C777	E-4	IC451	C-3	R004	G-3	R331	D-3	R502	B-1	R756	A-1		
C340	C-3	C470	C-3	C778	F-3	IC501	D-1	R005	G-3	R332	D-3	R503	C-1	R757	A-1		

## Comparison Chart of Models and Marks

MODEL	MARK
VR730/02	L
VR730/07	M
VR730/16	N
VR730/39	O
VR732/02	P
VR732/16	Q
VR732/39	R

### Function CBA Top View

### Function CBA Bottom View

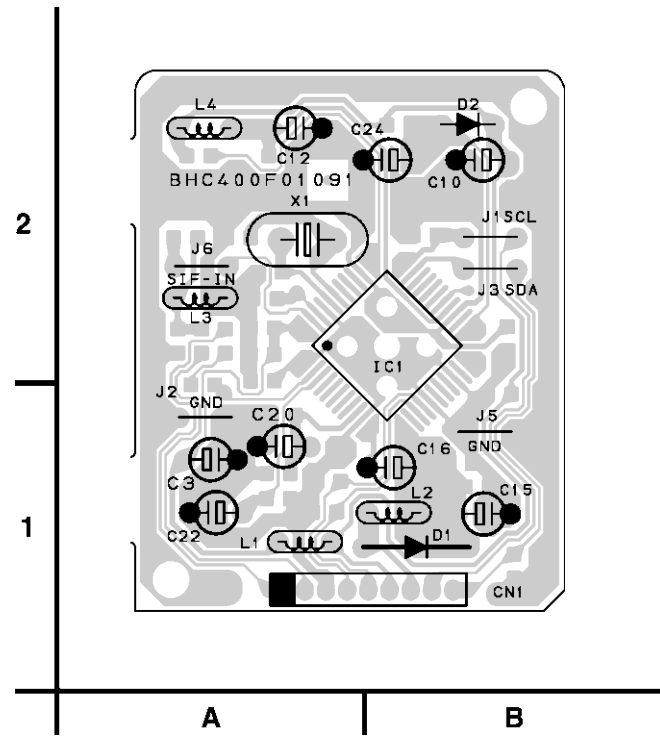


Function CBA Parts Location Guide

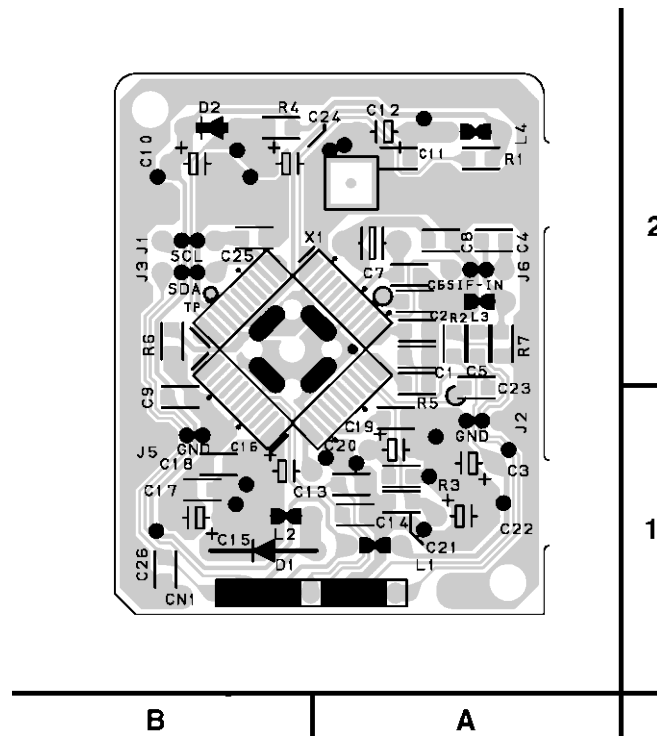
Ref No.	Position	Ref No.	Position
CONNECTORS		SWITCHES	
CN651	A-1	SW671	A-1
RESISTORS		SW672	A-1
R652	A-2	SW673	B-1
R653	A-2	SW674	B-1
R654	A-2	SW675	B-1
R655	A-2		
R668	B-2		

BHB4P0F01011

### AFV CBA Top View



### AFV CBA Bottom View



BHC400F01091

AFV CBA Parts Location Guide

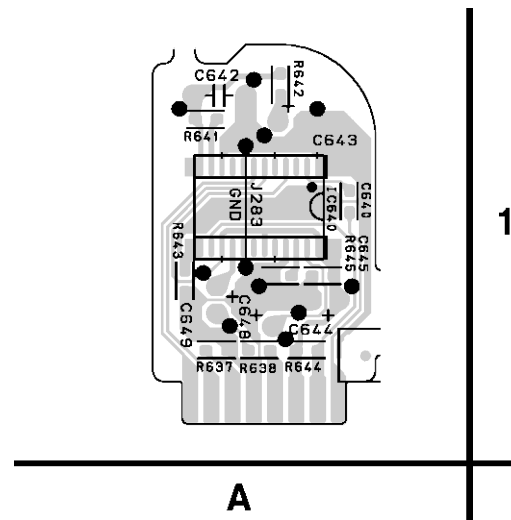
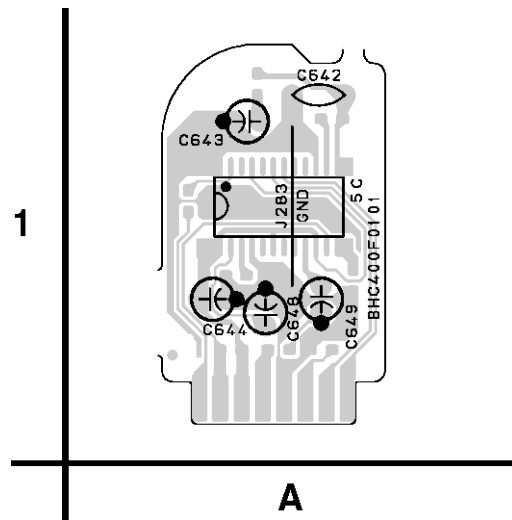
Ref No.	Position	Ref No.	Position
CAPACITORS		CONNECTORS	
C1	A-2	CN1	B-1
C4	A-2	DIODES	
C5	A-2	D2	B-2
C6	A-2	ICS	
C7	A-2	IC1	A-2
C8	A-2	COILS	
C11	A-2	L1	A-1
C12	A-2	L2	B-1
C13	B-1	L3	A-2
C14	A-1	L4	A-2
C15	B-1	RESISTORS	
C16	B-1	R1	A-2
C17	B-1	R2	A-2
C19	B-1	R4	B-2
C20	A-1	R5	A-1
C21	A-1	R6	B-2
C22	A-1	R7	A-2
C23	C-1	CRYSTAL OSCILLATORS	
C24	B-2	X1	B-2

VPS CBA Top View

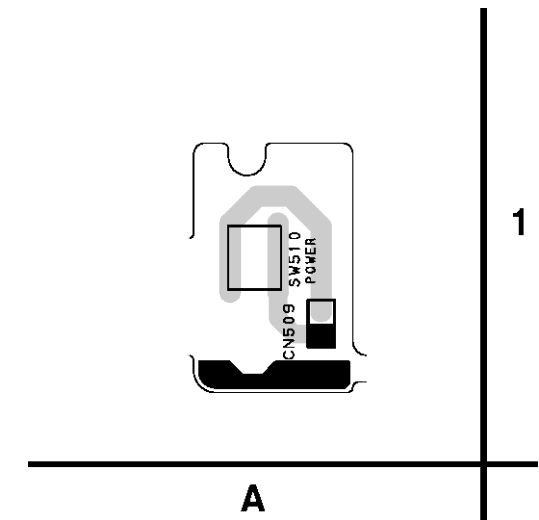
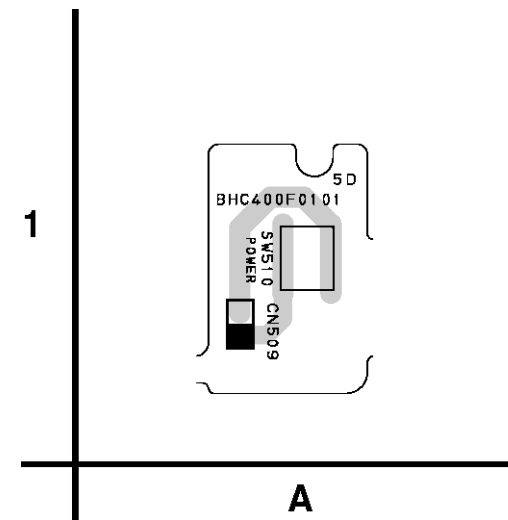
VPS CBA Bottom View

Power SW CBA Top View

Power SW CBA Bottom View



BHC400F01015-C



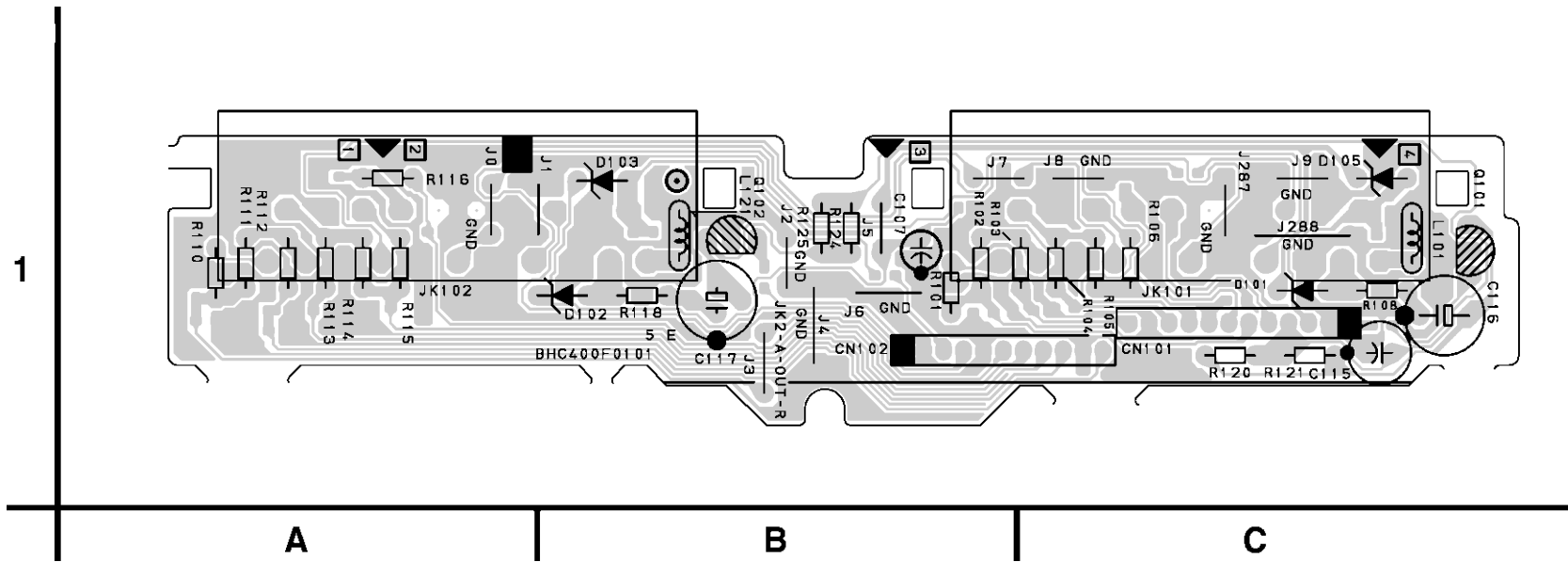
BHC400F01015-D

VPS CBA  
Parts Location Guide

Ref No.	Position
CAPACITORS	
C640	A-1
C642	A-1
C643	A-1
C644	A-1
C645	A-1
C648	A-1
C649	A-1
ICS	
IC640	A-1
RESISTORS	
R638	A-1
R641	A-1
R642	A-1
R643	A-1
R644	A-1
R645	A-1



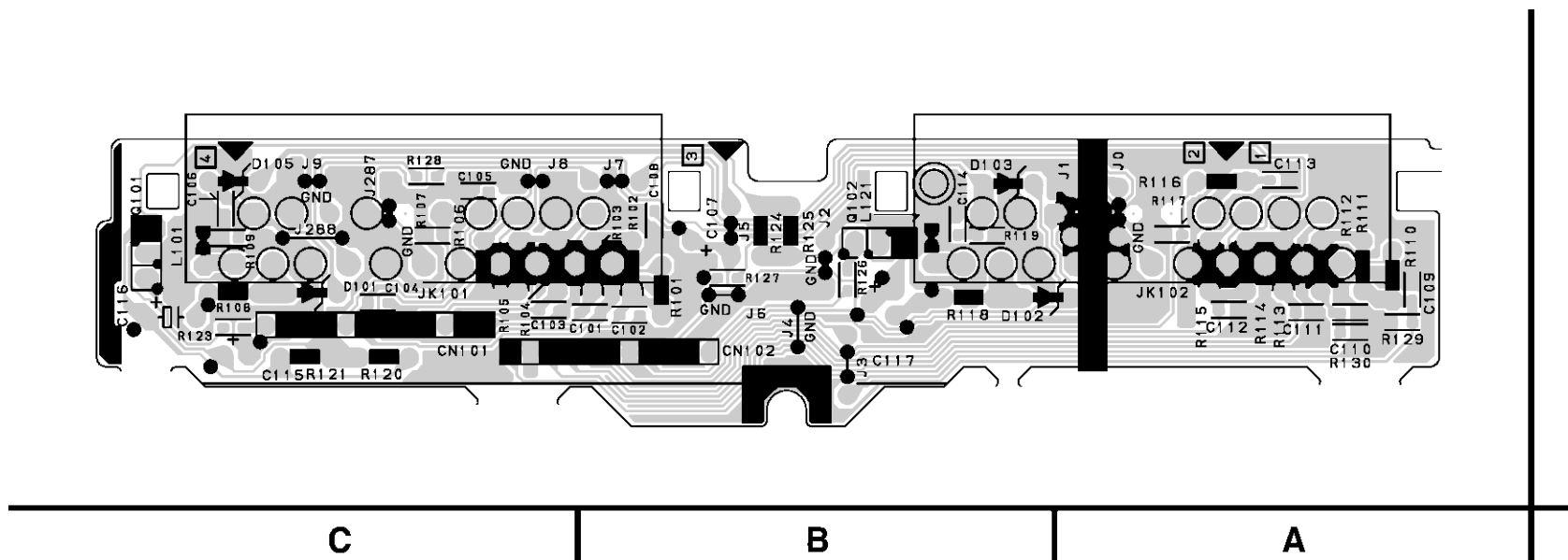
# Jack CBA Top View



JACK CBA Parts Location Guide

Ref No.	Position	Ref No.	Position
CAPACITORS		TRANSISTORS	
C101	C-1	Q101	C-1
C102	B-1	Q102	B-1
C103	C-1	RESISTORS	
C104	C-1	R101	B-1
C105	C-1	R103	B-1
C106	C-1	R104	C-1
C107	B-1	R106	C-1
C108	B-1	R107	C-1
C109	A-1	R108	C-1
C110	A-1	R109	C-1
C111	A-1	R110	A-1
C112	A-1	R112	A-1
C113	A-1	R113	A-1
C115	C-1	R115	A-1
C116	C-1	R116	A-1
C117	B-1	R117	A-1
CONNECTORS		R118	B-1
CL101	C-1	R119	B-1
CL102	B-1	R120	C-1
DIODES		R123	C-1
D101	C-1	R125	B-1
D102	B-1	R126	B-1
D103	B-1	R127	B-1
D105	C-1	R128	C-1
COILS		MISCELLANEOUS	
L101	C-1	JK101	C-1
L121	B-1	JK102	A-1

# Jack CBA Bottom View



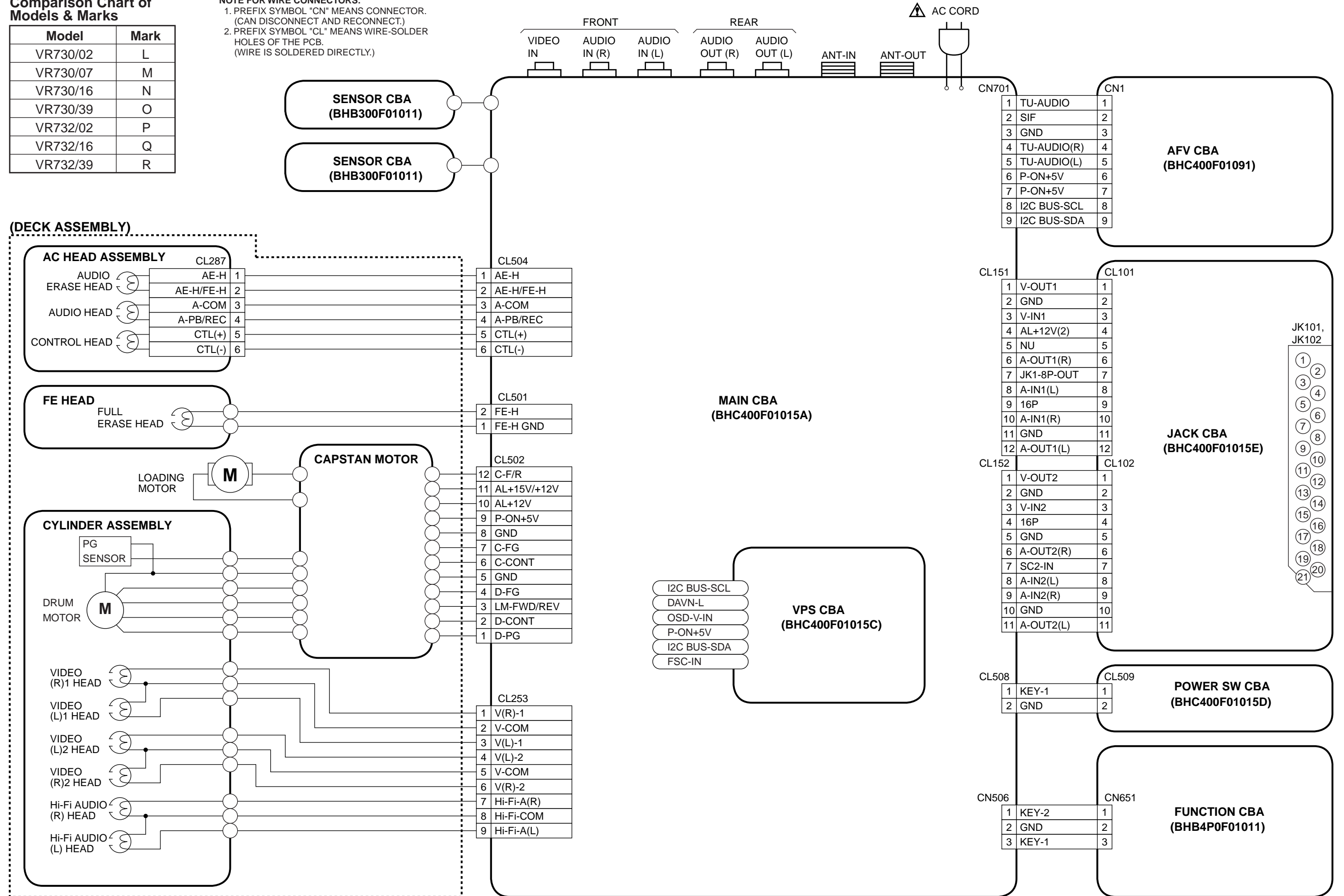
BHC400F01015-E

# WIRING DIAGRAM

## Comparison Chart of Models & Marks

Model	Mark
VR730/02	L
VR730/07	M
VR730/16	N
VR730/39	O
VR732/02	P
VR732/16	Q
VR732/39	R

**NOTE FOR WIRE CONNECTORS:**  
 1. PREFIX SYMBOL "CN" MEANS CONNECTOR.  
 (CAN DISCONNECT AND RECONNECT.)  
 2. PREFIX SYMBOL "CL" MEANS WIRE-SOLDER HOLES OF THE PCB.  
 (WIRE IS SOLDERED DIRECTLY.)



[ VR730/02, VR730/07, VR730/16, VR730/39, VR732/02, VR732/16, VR732/39 ]

### Comparison Chart of Models and Marks

Model	Mark
VR730/02	L
VR730/07	M
VR730/16	N
VR730/39	O
VR732/02	P
VR732/16	Q
VR732/39	R

### IC501( SERVO / SYSTEM CONTROL IC )

“H” ≥ 4.5V, “L” ≤ 1.0V

Pin No.	Mark	IN/OUT	Signal Name	Function	Active Level
1		IN	SC2-IN	Input Signal from Pin 8 of SCART2	L/Hi-z
2		IN	PG-DELAY	Video Head Switching Pulse Signal Adjusted Voltage	A/D
3		IN	POW-SAF	P-ON Power Detection Input Signal	A/D
4		IN	END-S	Tape End Position Detect Signal	A/D
5		IN	AFC	Automatic Frequency Control Signal	A/D
6		IN	V-ENV	Video Envelope Comparator Signal	A/D
7		IN	KEY-1	Key Scan Input Signal 1	A/D
8		IN	KEY-2	Key Scan Input Signal 2	A/D
9		IN	LD-SW	Deck Mode Position Detector Signal	A/D
10		OUT	ST-S	Tape Start Position Detector Signal	A/D
11		-	N.U.	Not Used	-
12		-	N.U.	Not Used	-
13		OUT	D-V-SYNC	Dummy V-sync Output	H/Hi-z

Pin No.	Mark	IN/OUT	Signal Name	Function	Active Level
14		IN	REMOC ON-IN	Remote Control Sensor	L
15		OUT	C-ROTA	Color Phase Rotary Changeover Signal	H/L
16		OUT	H-A-SW	Video Head Amp Switching Pulse	H/L
17		IN	H-A-COMP	Head Amp Comparator Signal	H/L
18		OUT	RF-SW	Video Head Switching Pulse	H/L
19		OUT	HiFi-H-SW	HiFi Audio Head Switching Pulse	H/L
20		IN	DAVN-L	VPS/PDC Data Receive = “L”	L
21		-	N.U.	Not Used	-
22		-	N.U.	Not Used	-
23		-	N.U.	Not Used	-
24		-	N.U.	Not Used	-
25		-	N.U.	Not Used	-
26		-	N.U.	Not Used	-
27		OUT	RGB-THROUGH	SCART 2 RGB Through Control Signal	L/Hi-z
28		-	N.U.	Not Used	-
29		-	N.U.	Not Used	-
30		-	N.U.	Not Used	-
31		IN	REC-SAF	Recording Safety SW Detect (With Record tab=“L”/ With out Record tab=“H”)	H
32	L,M,N,P,Q	-	N.U.	Not Used	-
	O,R	IN	SECAM-H	SECAM Mode at High	H/L
33	L,M,N,P,Q	-	N.U.	Not Used	-
	O,R	OUT	TRICK-H	Special Playback = “H” in SECAM Mode	H
34		IN	RESET	System Reset Signal (Reset=“L”)	L
35		IN	XC-IN	Sub Clock	-

Pin No.	Mark	IN/OUT	Signal Name	Function	Active Level
36		OUT	XC-OUT	Sub Clock	-
37		-	Vcc	Vcc	-
38		IN	X-IN	Main Clock Input	-
39		OUT	X-OUT	Main Clock Input	-
40		-	Vss	Vss(GND)	-
41		-	N.U.	Not Used	-
42		-	N.U.	Not Used	-
43		IN	CLKSEL	Clock Select (GND)	L
44		IN	OSCIN	Clock Input for letter size	-
45		OUT	OSCOU	Clock Output for letter size	-
46		-	N.U.	Not Used	-
47		-	LP	LP	-
48		IN	FSC-IN [4.43MHz]	4.43MHz Clock Input	-
49		-	OSDVss	OSDVss	-
50		IN	VIDEO-IN	Video Signal Input	-
51		-	N.U.	Not Used	-
52		OUT	VIDEO-OUT	Video Signal Output	-
53		-	OSDVcc	OSDVcc	-
54		-	HLF	LPF Connected Terminal (Slicer)	-
55		IN	COLOR-IN	SECAM or MESECAM Chroma Video Input Signal at Super Impose	Z/L
56		-	N.U.	Not Used	-
57		-	N.U.	Not Used	-
58		IN	C-SYNC	Composite Synchronized Pulse	PULSE
59		OUT	8POUT-1	SCART 1 8Pin Output Control Signal	H/L
60		OUT	8POUT-2	SCART 2 8Pin Output Control Signal	H/L
61		IN	A-MODE	Hi-Fi Tape Detection Signal	L
62		OUT	SD-H	SD-H	-

Pin No.	Mark	IN/OUT	Signal Name	Function	Active Level
63		OUT	LINK-OUT	Easy Link Data Output	Z/L
64		IN	FTV-IN	Comparator Input of Video Signal for Follow TV	L/Hi-z
65		OUT	D-REC-H	Delayed Record Signal	L
66		OUT	C-POWER-SW	Capstan Power Switching Pulse	L/Hi-z
67		IN	P-ON-H	Power On Signal at High	H
68		OUT	DRV-DATA	LED Clock Driver IC Control Data	H/L
69		OUT	DRV-STB	LED Clock Driver IC Chip Select Signal	H/L
70		OUT	DRV-CLK	LED Clock Driver IC Control Clock	H/L
71		OUT	I <sup>2</sup> C BUS-SCL	I <sup>2</sup> C BUS Control Clock	H/L
72		IN/OUT	I <sup>2</sup> C BUS-SDA	I <sup>2</sup> C BUS Control Data	H/L
73		-	N.U.	Not Used	-
74		-	N.U.	Not Used	-
75		-	N.U.	Not Used	-
76		OUT	C-CONT	Capstan Motor Control Signal	PWM
77		OUT	D-CONT	Drum Motor Control Signal	PWM
78		OUT	C-F/R	Capstan Motor FWD/REV Control Signal (FWD="L"/REV="H")	H/L
79		IN	S-REEL	Supply Reel Rotation Signal	PULSE
80		IN	T-REEL	Take Up Reel Rotation Signal	PULSE
81		OUT	LM-FWD/REV	Loading Motor Control Signal	H/L/Hi-z
82		-	N.U.	Not Used	-
83		OUT	A-MUTE-H	Audio Mute Control Signal (Mute = "H")	H
84		OUT	FF/REW-L	CTL Amp Gain Switching Signal (FF/REW="L")	L

Pin No.	Mark	IN/OUT	Signal Name	Function	Active Level
85		IN	LINK-IN	Easy Link Data Input	Z/L
86		IN	P-DOWN-L	Power Voltage Down Detector Signal	L
87		IN	C-FG	Capstan Motor Rotation Detection Pulse	PULSE
88		-	AMPVss	AMPVss (GND)	-
89		IN	D-FG	Drum Motor Rotation Detection Pulse	PULSE
90		IN	D-PG	Drum Motor Pulse Generator	PULSE
91		-	N.U.	Not Used	-
92		-	AMPVRE FIN	V-Ref for CTL AMP	-
93		-	C	C Terminal	-
94		OUT	CTL (-)	Playback/Record Control Signal (-)	H/L
95		OUT	CTL (+)	Playback/Record Control Signal (+)	H/L
96		-	AMPC	CTL AMP Connected Terminal	-
97		-	CTLAMP out	To Monitor for CTL AMP Output	PULSE
98		-	AMPVcc	AMPVcc	-
99		-	AVcc	A/D Converter Power Input/ Standard Voltage Input	-
100		IN	AGC	IF AGC Control Signal	H/L/ Hi-z

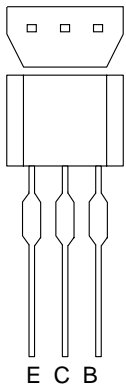
**Notes:**

Abbreviation for Active Level:

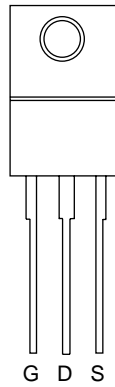
PWM -----Pulse Wide Modulation

A/D-----Analog - Digital Converter

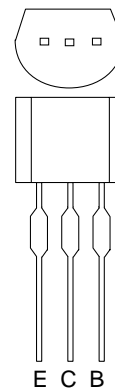
[ VR730/02, VR730/07, VR730/16, VR730/39, VR732/02, VR732/16, VR732/39 ]



BN1F4M-T  
BA1F4M-T  
KTA1266(GR)  
KRA104M  
KTC3199(Y,GR,BL)  
2SC2785(J,H,F,K)  
KRA103M  
KRC103M  
BN1L4M-T  
2SC3266-Y(TPE2)

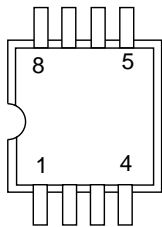


FS1KM-18A  
FS1KM-14A

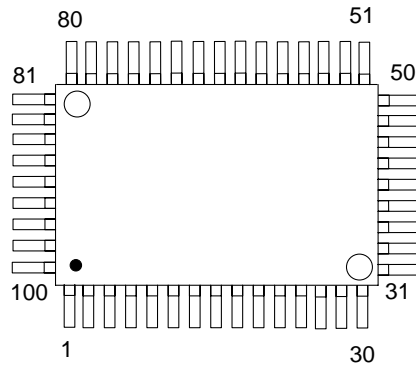


2SC1815-Y(TPE2)  
2SC1815-GR(TPE2)  
KTA1281(Y)  
2SC2120-Y(TPE2)  
KTC3203(Y)  
2SC1815-BL(TPE2)  
2SA1020(Y)  
2SB892(S)  
2SD1246(S,T)  
2SA1015-GR(TPE2)  
KTC3205(Y)

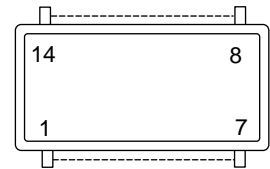
BR24C02F-W  
AT24C02N-10SC  
M24C02-MN6T  
CAT24WC02J



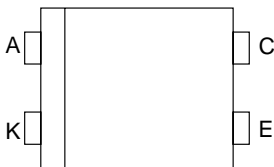
LA71750M-AM-MTB  
QSZAD0RMB101



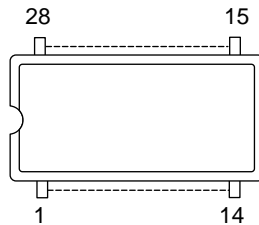
LM339DT  
KIA339F EL



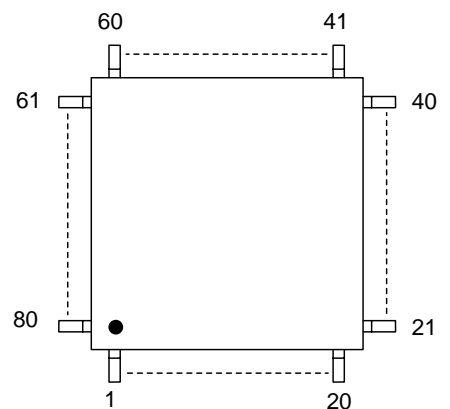
LTV-817(B,C)-F  
EL817(A,B,C)



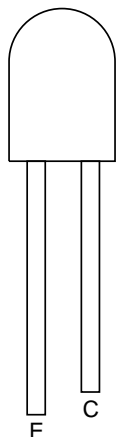
PT6958-FN-TP



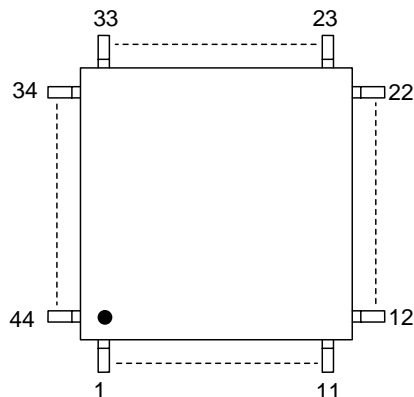
LA72646M



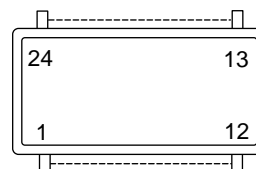
PT204-6B-12  
MID-32A22



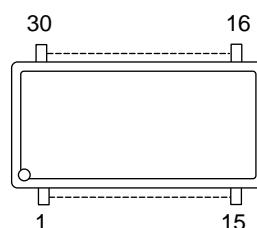
MSP3407G-QG-B8  
MSP3417G-QG-B8



LC74793JM-TRM



LA70100M-TRM



**Note:**

- A: Anode
- K: Cathode
- E: Emitter
- C: Collector
- B: Base
- R: Reference
- S: Source
- G: Gate
- D: Drain

**PRODUCT SAFETY NOTE:** Products marked with a ▲

have special characteristics important to safety.  
 Before replacing any of these components, read carefully  
 the product safety notice in this service manual.  
 Don't degrade the safety of the product through improper servicing.

**NOTES:**

Parts that not assigned part numbers (-----) are not available.  
 Tolerance of Capacitors and Resistors are noted with the following symbols.

- C.....±0.25%    D.....±0.5%    F.....±1%  
 G.....±2%        J.....±5%        K.....±10%  
 M.....±20%      N.....±30%      Z.....+80/-20%

<b>ELECTRICAL PARTS LIST</b>				<b>VR730/02</b>	<b>VR730/07</b>	<b>VR730/16</b>	<b>VR730/39</b>	<b>VR732/02</b>	<b>VR732/16</b>	<b>VR732/39</b>
<b>Pos.</b>	<b>▲</b>	<b>12 NC</b>	<b>Description</b>							
			MCV CBA		1					
			Consists of the following		1	1	1	1	1	1
			MAIN CBA(MCV-A)		1	1	1	1	1	1
			FUNCTION CBA(MCV-B)							
			VPS CBA(MCV-C)		1	1	1	1	1	1
			POWER SW CBA(MCV-D)		1	1	1	1	1	1
			JACK CBA(MCV-E)		1	1	1	1	1	1
			SENSOR CBA		1	1	1	1	1	1
			SENSOR CBA		1	1	1	1	1	1
			MAIN CBA		1	1	1	1	1	1
2B7		9965 000 12286	SHIELD ASSEMBLY HC460ED	1	1	1	1	1	1	1
2B8		9965 000 08566	BUSH, LED(F) H3700UD	1	1	1	1	1	1	1
2B46		9965 000 12173	ROHM HOLDER H7770JD	1	1	1	1	1	1	1
A4		9965 000 12261	JACK BOARD(CONV) HC460ED	1	1	1		1	1	
AC001	▲	9965 000 12174	AC CORD PQ8B1V51H0A-05B		1					
AC001	▲	9965 000 08666	AC CORD PE8B2CB1H0A-057	1		1	1	1	1	1
<b>CAPACITORS</b>										
C002	▲	9965 000 09743	METALLIZED FILM CAP. 0.068UF/250V M	1	1	1	1	1	1	1
C003	▲	9965 000 06522	SAFETY CAP. 2200PF/250V	1	1	1	1	1	1	1
C004		9965 000 06566	ELECTROLYTIC CAP. 22UF/400V M(L?Z)	1	1	1	1	1	1	1
C005		4822 126 14142	CERAMIC CAP. B K 0.01UF/500V	1	1	1	1	1	1	1
C006		4822 126 14141	CERAMIC CAP. SL K 56PF/1KV	1	1	1	1	1	1	1
C007			CERAMIC CAP.(AX) X K 3300PF/16V	1	1	1	1	1	1	1
C008			CERAMIC CAP.(AX) X K 5600PF/16V	1	1	1	1	1	1	1
C010			FILM CAP.(P) 0.022UF/50V J	1	1	1	1	1	1	1
C011			ELECTROLYTIC CAP. 10UF/16V M	1	1	1	1	1	1	1
C012			ELECTROLYTIC CAP. 10UF/50V M H7	1	1	1	1	1	1	1
C014			ELECTROLYTIC CAP. 470UF/25V M	1	1	1	1	1	1	1
C017			ELECTROLYTIC CAP. 470UF/16V M	1	1	1	1	1	1	1
C018			ELECTROLYTIC CAP. 100UF/16V M	1	1	1	1	1	1	1
C020			ELECTROLYTIC CAP. 1000UF/16V M	1	1	1	1	1	1	1
C021			ELECTROLYTIC CAP. 470UF/10V M	1	1	1	1	1	1	1
C025			CERAMIC CAP.(AX) X K 5600PF/16V	1	1	1	1	1	1	1
C026			ELECTROLYTIC CAP. 47UF/16V M H7	1	1	1	1	1	1	1
C053			ELECTROLYTIC CAP. 330UF/6.3V M	1	1	1	1	1	1	1
C056			CERAMIC CAP.(AX) F Z 0.047UF/16V	1	1	1	1	1	1	1

# ELECTRICAL PARTS LIST

ELECTRICAL PARTS LIST			VR730/02	VR730/07	VR730/16	VR730/39	VR732/02	VR732/16	VR732/39	
Pos.	▲	12 NC	Description							
C060			ELECTROLYTIC CAP. 10UF/16V M H7	1	1	1	1	1	1	1
C061			CHIP CERAMIC CAP. F Z 0.1UF/50V	1	1	1	1	1	1	1
C157			ELECTROLYTIC CAP. 1UF/50V M H7	1	1	1	1	1	1	1
C158			CHIP CERAMIC CAP. B K 1000PF/50V	1	1	1	1	1	1	1
C251			ELECTROLYTIC CAP. 10UF/16V M H7	1	1	1	1	1	1	1
C252			CHIP CERAMIC CAP. B K 1000PF/50V	1	1	1	1	1	1	1
C253			ELECTROLYTIC CAP. 1UF/50V M H7	1	1	1	1	1	1	1
C254			CHIP CERAMIC CAP. F Z 0.1UF/50V	1	1	1	1	1	1	1
C302			CHIP CERAMIC CAP. B K 0.022UF/50V	1	1	1	1	1	1	1
C303			ELECTROLYTIC CAP. 1UF/50V M H7	1	1	1	1	1	1	1
C304			ELECTROLYTIC CAP. 1UF/50V M H7	1	1	1	1	1	1	1
C305			CHIP CERAMIC CAP. F Z 0.1UF/50V	1	1	1	1	1	1	1
C307			CHIP CERAMIC CAP. B K 0.047UF/50V	1	1	1	1	1	1	1
C308			CHIP CERAMIC CAP. B K 0.022UF/50V	1	1	1	1	1	1	1
C309			CHIP CERAMIC CAP. F Z 0.1UF/50V	1	1	1	1	1	1	1
C310			CHIP CERAMIC CAP. B K 0.047UF/50V	1	1	1	1	1	1	1
C311			CHIP CERAMIC CAP. B K 0.01UF/50V				1			1
C312			CERAMIC CAP.(AX) Y M 8200PF/16V	1	1	1	1	1	1	1
C313			CHIP CERAMIC CAP. F Z 0.1UF/50V	1	1	1	1	1	1	1
C314			CHIP CERAMIC CAP. B K 0.01UF/50V	1	1	1	1	1	1	1
C315			CHIP CERAMIC CAP. F Z 0.1UF/50V	1	1	1	1	1	1	1
C316			CHIP CERAMIC CAP. B K 0.01UF/50V	1	1	1	1	1	1	1
C317			ELECTROLYTIC CAP. 47UF/6.3V M H7	1	1	1	1	1	1	1
C318			ELECTROLYTIC CAP. 1UF/50V M H7	1	1	1	1	1	1	1
C319			ELECTROLYTIC CAP. 1UF/50V M H7	1	1	1	1	1	1	1
C320			CHIP CERAMIC CAP. F Z 0.1UF/50V	1	1	1	1	1	1	1
C321			CHIP CERAMIC CAP. F Z 0.1UF/50V	1	1	1	1	1	1	1
C322			ELECTROLYTIC CAP. 10UF/16V M H7	1	1	1	1	1	1	1
C323			CHIP CERAMIC CAP. F Z 0.1UF/50V	1	1	1	1	1	1	1
C324			CHIP CERAMIC CAP. CH J 68PF/50V	1	1	1	1	1	1	1
C325			CHIP CERAMIC CAP. F Z 0.1UF/50V	1	1	1	1	1	1	1
C326			CHIP CERAMIC CAP. CH J 68PF/50V	1	1	1	1	1	1	1
C327			CHIP CERAMIC CAP. F Z 0.1UF/50V	1	1	1	1	1	1	1
C328			CHIP CERAMIC CAP. F Z 0.1UF/50V	1	1	1	1	1	1	1
C329			CHIP CERAMIC CAP. CH J 68PF/50V	1	1	1	1	1	1	1
C330			CERAMIC CAP.(AX) F Z 0.1UF/50V	1	1	1	1	1	1	1
C332			CHIP CERAMIC CAP. F Z 0.1UF/50V	1	1	1	1	1	1	1
C333			ELECTROLYTIC CAP. 0.47UF/50V M H7	1	1	1	1	1	1	1
C334			ELECTROLYTIC CAP. 4.7UF/25V M NP H7	1	1	1	1	1	1	1
C335			ELECTROLYTIC CAP. 10UF/16V M H7	1	1	1	1	1	1	1
C337			CHIP CERAMIC CAP. F Z 0.1UF/50V	1	1	1	1	1	1	1
C338			ELECTROLYTIC CAP. 100UF/6.3V H7	1	1	1	1	1	1	1
C339			ELECTROLYTIC CAP. 1UF/50V M H7	1	1	1	1	1	1	1
C340			CHIP CERAMIC CAP. CH J 120PF/50V	1	1	1	1	1	1	1
C341			CHIP CERAMIC CAP. CH J 220PF/50V	1	1	1	1	1	1	1
C342			ELECTROLYTIC CAP. 1UF/50V M H7	1	1	1	1	1	1	1
C343			CHIP CERAMIC CAP. F Z 0.1UF/50V	1	1	1	1	1	1	1
C344			CERAMIC CAP.(AX) B K 100PF/50V	1	1	1	1	1	1	1
C345			CHIP CERAMIC CAP. CH J 68PF/50V	1	1	1	1	1	1	1
C347			CHIP CERAMIC CAP. CH J 15PF/50V	1	1	1	1	1	1	1
C348			CHIP CERAMIC CAP. CH J 68PF/50V	1	1	1	1	1	1	1
C351			ELECTROLYTIC CAP. 220UF/6.3V M H7	1	1	1	1	1	1	1
C352			ELECTROLYTIC CAP. 100UF/16V M H7	1	1	1	1	1	1	1
C370			CHIP CERAMIC CAP. B K 0.01UF/50V				1			1
C371			CHIP CERAMIC CAP. B K 0.022UF/50V				1			1
C372			CHIP CERAMIC CAP. F Z 0.1UF/50V				1			1
C373			CHIP CERAMIC CAP. F Z 0.1UF/50V				1			1
C374			CHIP CERAMIC CAP. F Z 0.1UF/50V				1			1
C375			CHIP CERAMIC CAP. B K 0.01UF/50V				1			1
C376			CHIP CERAMIC CAP. B K 0.022UF/50V				1			1
C377			CERAMIC CAP.(AX) Y M 0.01UF/16V				1			1
C378			CHIP CERAMIC CAP. B K 0.01UF/50V				1			1
C379			ELECTROLYTIC CAP. 0.47UF/50V M H7				1			1



# ELECTRICAL PARTS LIST

ELECTRICAL PARTS LIST			VR730/02	VR730/07	VR730/16	VR730/39	VR732/02	VR732/16	VR732/39
Pos.	▲	12 NC	Description						
C381						1			1
C382						1			1
C383						1			1
C384						1			1
C401			1	1	1	1	1	1	1
C402			1	1	1	1	1	1	1
C403			1	1	1	1	1	1	1
C404			1	1	1	1	1	1	1
C411			1	1	1	1	1	1	1
C412			1	1	1	1	1	1	1
C413			1	1	1	1	1	1	1
C414			1	1	1	1	1	1	1
C415			1	1	1	1	1	1	1
C416			1	1	1	1	1	1	1
C417			1	1	1	1	1	1	1
C418			1	1	1	1	1	1	1
C419			1	1	1	1	1	1	1
C421			1	1	1	1	1	1	1
C422			1	1	1	1	1	1	1
C424			1	1	1	1	1	1	1
C425			1	1	1	1	1	1	1
C428			1	1	1	1	1	1	1
C430			1	1	1	1	1	1	1
C431			1	1	1	1	1	1	1
C451			1	1	1		1	1	
C452			1	1	1	1	1	1	1
C453			1	1	1	1	1	1	1
C454			1	1	1	1	1	1	1
C455			1	1	1	1	1	1	1
C456			1	1	1	1	1	1	1
C457			1	1	1	1	1	1	1
C458			1	1	1	1	1	1	1
C459			1	1	1	1	1	1	1
C460			1	1	1	1	1	1	1
C461			1	1	1	1	1	1	1
C462			1	1	1	1	1	1	1
C463			1	1	1	1	1	1	1
C464			1	1	1	1	1	1	1
C465			1	1	1	1	1	1	1
C466			1	1	1	1	1	1	1
C467			1	1	1	1	1	1	1
C468			1	1	1	1	1	1	1
C469			1	1	1	1	1	1	1
C470			1	1	1	1	1	1	1
C471			1	1	1	1	1	1	1
C472			1	1	1	1	1	1	1
C473			1	1	1	1	1	1	1
C474			1	1	1	1	1	1	1
C475			1	1	1	1	1	1	1
C476			1	1	1	1	1	1	1
C477			1	1	1	1	1	1	1
C478			1	1	1	1	1	1	1
C479			1	1	1	1	1	1	1
C480			1	1	1	1	1	1	1
C481			1	1	1	1	1	1	1
C482			1	1	1	1	1	1	1
C483			1	1	1	1	1	1	1
C484			1	1	1	1	1	1	1
C485			1	1	1	1	1	1	1
C501			1	1	1	1	1	1	1
C502			1	1	1	1	1	1	1
C506			1	1	1	1	1	1	1
C508			1	1	1	1	1	1	1

ELECTRICAL PARTS LIST			VR730/02	VR730/07	VR730/16	VR730/39	VR732/02	VR732/16	VR732/39
Pos.	▲	12 NC	Description						
C510			ELECTROLYTIC CAP. 22UF/10V M H7	1	1	1	1	1	1
C511			ELECTROLYTIC CAP. 100UF/6.3V H7	1	1	1	1	1	1
C512			CHIP CERAMIC CAP. F Z 0.1UF/50V	1	1	1	1	1	1
C513			CHIP CERAMIC CAP. CH J 22PF/50V	1	1	1	1	1	1
C514			CHIP CERAMIC CAP. CH J 22PF/50V	1	1	1	1	1	1
C515			CHIP CERAMIC CAP. CH D 10PF/50V	1	1	1	1	1	1
C516			CHIP CERAMIC CAP. CH D 10PF/50V	1	1	1	1	1	1
C517			CHIP CERAMIC CAP. B K 0.01UF/50V	1	1	1	1	1	1
C518			CHIP CERAMIC CAP. B K 0.047UF/50V	1	1	1	1	1	1
C519			CHIP CERAMIC CAP. B K 0.01UF/50V	1	1	1	1	1	1
C520			CHIP CERAMIC CAP. CH J 100PF/50V	1	1	1	1	1	1
C521			CHIP CERAMIC CAP. CH J 560PF/50V	1	1	1	1	1	1
C522			ELECTROLYTIC CAP. 22UF/6.3V M H7	1	1	1	1	1	1
C523			CHIP CERAMIC CAP. B K 1000PF/50V	1	1	1	1	1	1
C524			CHIP CERAMIC CAP. CH J 330PF/50V	1	1	1	1	1	1
C526			CHIP CERAMIC CAP. B K 4700PF/50V	1	1	1	1	1	1
C527			ELECTROLYTIC CAP. 22UF/6.3V M H7	1	1	1	1	1	1
C529			CHIP CERAMIC CAP. B K 0.01UF/50V	1	1	1	1	1	1
C530			CERAMIC CAP.(AX) F Z 0.022UF/25V	1	1	1	1	1	1
C531			CERAMIC CAP.(AX) Y M 0.01UF/16V	1	1	1	1	1	1
C535			CHIP CERAMIC CAP. B K 0.01UF/50V	1	1	1	1	1	1
C540			ELECTROLYTIC CAP. 470UF/6.3V M	1	1	1	1	1	1
C561			CHIP CERAMIC CAP. B K 0.022UF/50V	1	1	1	1	1	1
C622			CHIP RES.(1608) 1/10W 0 OHM	1	1	1	1	1	1
C701			CHIP CERAMIC CAP. B K 0.047UF/50V	1	1	1		1	1
C702			CHIP CERAMIC CAP. F Z 0.1UF/50V	1	1	1	1	1	1
C703			ELECTROLYTIC CAP. 10UF/16V M H7	1	1	1	1	1	1
C704			CHIP CERAMIC CAP. B K 0.01UF/50V	1	1	1	1	1	1
C706			CHIP CERAMIC CAP. B K 1000PF/50V	1	1	1	1	1	1
C707			ELECTROLYTIC CAP. 100UF/6.3V H7	1	1	1	1	1	1
C708			CHIP CERAMIC CAP. B K 0.01UF/50V	1	1	1	1	1	1
C715			CHIP CERAMIC CAP. B K 0.01UF/50V	1	1	1	1	1	1
C756			CERAMIC CAP.(AX) B K 470PF/50V	1	1	1	1	1	1
C757			CERAMIC CAP.(AX) B K 470PF/50V	1	1	1	1	1	1
C771			CHIP CERAMIC CAP. F Z 0.1UF/50V	1	1	1	1	1	1
C772			ELECTROLYTIC CAP. 10UF/16V M H7	1	1	1	1	1	1
C773			CHIP CERAMIC CAP. B K 1000PF/50V	1	1	1	1	1	1
C774			CHIP CERAMIC CAP. B K 1000PF/50V	1	1	1	1	1	1
C775			ELECTROLYTIC CAP. 1UF/50V M H7	1	1	1	1	1	1
C776			ELECTROLYTIC CAP. 1UF/50V M H7	1	1	1	1	1	1
C777			CHIP CERAMIC CAP. CH J 180PF/50V	1	1	1	1	1	1
C778			CHIP CERAMIC CAP. CH J 180PF/50V	1	1	1	1	1	1
C851			CHIP CERAMIC CAP. CH J 22PF/50V	1	1	1	1	1	1
C852			CHIP CERAMIC CAP. CH J 18PF/50V	1	1	1	1	1	1
C853			CHIP CERAMIC CAP. B K 4700PF/50V	1	1	1	1	1	1
C854			CHIP CERAMIC CAP. B K 0.01UF/50V	1	1	1	1	1	1
C855			CHIP CERAMIC CAP. F Z 0.1UF/50V	1	1	1	1	1	1
C856			CHIP CERAMIC CAP. CH J 180PF/50V	1	1	1	1	1	1
C858			CHIP CERAMIC CAP. CH J 560PF/50V				1		1
C859			ELECTROLYTIC CAP. 47UF/6.3V M H7	1	1	1	1	1	1
C862			CHIP CERAMIC CAP. B K 0.01UF/50V	1	1	1	1	1	1
CN506		9965 000 12262	FNT PCB ASSEMBLY CP2500/C470/FUNCTION	1	1	1	1	1	1
CN701		9965 000 12175	AFV PCB ASSEMBLY CP2500/C461		1	1			1
<b>DIODES</b>									
D001		4822 130 31933	RECTIFIER DIODE 1N4005	1	1	1	1	1	1
D002		4822 130 31933	RECTIFIER DIODE 1N4005	1	1	1	1	1	1
D003		4822 130 31933	RECTIFIER DIODE 1N4005	1	1	1	1	1	1
D004		4822 130 31933	RECTIFIER DIODE 1N4005	1	1	1	1	1	1
D005		5322 130 34979	RECTIFIER DIODE BA159	1	1	1	1	1	1
D006		4822 130 30621	SWITCHING DIODE 1N4148M	1	1	1	1	1	1
D007		4822 130 30621	SWITCHING DIODE 1N4148M	1	1	1	1	1	1
D008		4822 130 30621	SWITCHING DIODE 1N4148M	1	1	1	1	1	1
D009		4822 130 30621	SWITCHING DIODE 1N4148M	1	1	1	1	1	1

# ELECTRICAL PARTS LIST

ELECTRICAL PARTS LIST			VR730/02	VR730/07	VR730/16	VR730/39	VR732/02	VR732/16	VR732/39
Pos.	▲	12 NC	Description						
D011		4822 130 41487	RECTIFIER DIODE BA157	1	1	1	1	1	1
D012		4822 130 83883	RECTIFIER DIODE FR202	1	1	1	1	1	1
D013		4822 130 83883	RECTIFIER DIODE FR202	1	1	1	1	1	1
D014		4822 130 32715	SCHOTTKY BARRIER DIODE SB340	1	1	1	1	1	1
D015		9965 000 09323	ZENER DIODE DZ-9.1BSCT265	1	1	1	1	1	1
D018		4822 130 30621	SWITCHING DIODE 1N4148M	1	1	1	1	1	1
D019		9965 000 08622	ZENER DIODE DZ-5.6BSBT265	1	1	1	1	1	1
D021		4822 130 30621	SWITCHING DIODE 1N4148M	1	1	1	1	1	1
D051		4822 130 31933	RECTIFIER DIODE 1N4005	1	1	1	1	1	1
D052		4822 130 30621	SWITCHING DIODE 1N4148M	1	1	1	1	1	1
D053		9965 000 12176	RECTIFIER DIODE RL201 B-222-2	1	1	1		1	1
D056		9965 000 09182	ZENER DIODE DZ-5.1BSCT265	1	1	1	1	1	1
D057		9965 000 09283	ZENER DIODE DZ-10BSBT265	1	1	1	1	1	1
D151		9965 000 12177	ZENER DIODE DZ-6.8BSCT265	1	1	1	1	1	1
D152		9965 000 12177	ZENER DIODE DZ-6.8BSCT265	1	1	1	1	1	1
D153		9965 000 12178	ZENER DIODE DZ-11BSAT265	1	1	1	1	1	1
D154		9965 000 12178	ZENER DIODE DZ-11BSAT265	1	1	1	1	1	1
D155		9965 000 12178	ZENER DIODE DZ-11BSAT265	1	1	1	1	1	1
D156		9965 000 12178	ZENER DIODE DZ-11BSAT265	1	1	1	1	1	1
D301		4822 130 30621	SWITCHING DIODE 1N4148M	1	1	1	1	1	1
D370		4822 130 30621	SWITCHING DIODE 1N4148M				1		1
D501		4822 130 30621	SWITCHING DIODE 1N4148M	1	1	1	1	1	1
D502		9965 000 05250	LED SIR-563ST3F P	1	1	1	1	1	1
D552		4822 130 10094	ZENER DIODE MTZJT-777.5A	1	1	1	1	1	1
D553		4822 130 30621	SWITCHING DIODE 1N4148M	1	1	1	1	1	1
D701		9965 000 09183	ZENER DIODE DZ-33BSDT265	1	1	1	1	1	1
F001	▲	9965 000 12179	FUSE 21301.6M	1	1	1	1	1	1
FH001		4822 256 10461	FUSE HOLDER MSF-015	1	1	1	1	1	1
FH002		4822 256 10461	FUSE HOLDER MSF-015	1	1	1	1	1	1
FP562		9965 000 09307	LED DISPLAY LFU-4421-2001A	1	1	1	1	1	1
<b>IC's</b>									
IC001	▲	4822 130 11655	PHOTOCOUPLER LTV-817B-F	1	1	1	1	1	1
IC301		9965 000 12180	IC:Y/C/A LA71750AM-MTB	1	1	1	1	1	1
IC370		9965 000 12255	IC:SECAM LA70100M-TRM				1		1
IC451		9965 000 12181	IC:HIFI LA72646M	1	1	1	1	1	1
IC501		9965 000 12182	MICROCONTROLLER 16BIT M37762MFA-1B4GP		1	1	1	1	1
IC501		9965 000 12556	MICROCONTROLLER 16BIT M37762MFA-1B9GP	1					
IC503		9965 000 06554	IC:MEMORY BR24C02F-W	1	1	1	1	1	1
IC561		9965 000 12183	IC:LED DRIVER PT6958-FN-TP	1	1	1	1	1	1
IC771		9965 000 12184	IC:COMPARATOR KIA339F EL	1	1	1	1	1	1
J902		4822 526 10685	BEAD CORE B16 RH 3.5X10X1.3	1	1	1	1	1	1
JK756		4822 265 11659	RCA JACK(YELLOW) MSP-281V4-B	1	1	1	1	1	1
JK757		4822 265 11661	RCA JACK(WHITE) MSP-281V1-B	1	1	1	1	1	1
JK758		9965 000 00423	RCA JACK(RED) MSP-281V3-A	1	1	1	1	1	1
JW001		9965 000 12185	FLAT CABLE, 11P	1	1	1	1	1	1
JW001		9965 000 12411	FLAT CABLE, 11P AWG26#2651/P1.25/150	1					
JW002		9965 000 12186	FLAT CABLE, 12P	1	1	1	1	1	1
JW002		9965 000 12412	FLAT CABLE, 12P AWG26#2651/P1.25/150	1					
JW003		9965 000 12187	FLAT CABLE, 2P	1	1	1	1	1	1
JW003		9965 000 12413	FLAT CABLE, 2P	1					
<b>COILS</b>									
L001		4822 526 10685	BEAD CORE B16 RH 3.5X10X1.3	1	1	1	1	1	1
L002		4822 526 10685	BEAD CORE B16 RH 3.5X10X1.3	1	1	1	1	1	1
L003	▲	9965 000 12188	LINE FILTER 50MH LF-4Z-E503	1	1	1	1	1	1
L010		9965 000 05627	CHOKE COIL 47UH-K	1	1	1	1	1	1
L012		4822 157 10649	INDUCTOR 100UH-K-26T	1	1	1	1	1	1
L251		9965 000 08652	INDUCTOR 5.6UH-K-26T	1	1	1	1	1	1
L301		4822 157 63316	INDUCTOR 56UH-K-26T	1	1	1	1	1	1
L370		4822 157 10332	PCB JUMPER D0.6-P5.0				1		1
L401		9965 000 05627	CHOKE COIL 47UH-K	1	1	1	1	1	1
L402		9965 000 05627	CHOKE COIL 47UH-K	1	1	1	1	1	1
L451		4822 157 10649	INDUCTOR 100UH-K-26T	1	1	1	1	1	1
L452		4822 157 10347	INDUCTOR 22UH-K-26T	1	1	1	1	1	1

# ELECTRICAL PARTS LIST

ELECTRICAL PARTS LIST			VR730/02	VR730/07	VR730/16	VR730/39	VR732/02	VR732/16	VR732/39
Pos.	▲	12 NC	Description						
L501		4822 157 10649	INDUCTOR 100UH-K-26T	1	1	1	1	1	1
L561		4822 157 10649	INDUCTOR 100UH-K-26T	1	1	1	1	1	1
L562		4822 157 10332	PCB JUMPER D0.6-P5.0	1	1	1	1	1	1
L581		9965 000 05627	CHOKO COIL 47UH-K	1	1	1	1	1	1
L701		4822 157 10889	INDUCTOR 10UH-K-26T	1	1	1	1	1	1
L702		9965 000 05627	CHOKO COIL 47UH-K	1	1	1	1	1	1
L703		4822 157 10332	PCB JUMPER D0.6-P5.0	1	1	1		1	1
L704		4822 157 11511	INDUCTOR 15UH-K-26T	1	1	1		1	1
L705		4822 157 10332	PCB JUMPER D0.6-P5.0	1	1	1	1	1	1
L851		9965 000 08629	INDUCTOR 1.8UH-K-26T	1	1	1	1	1	1
L853		4822 157 10332	PCB JUMPER D0.6-P5.0	1	1	1	1	1	1
<b>TRANSISTORS</b>									
PS503		9965 000 12189	PHOTO INTERRUPTER RPI-302C70	1	1	1	1	1	1
Q001		9965 000 06568	FET FS1KM-18A	1	1	1	1	1	1
Q002		4822 130 10923	TRANSISTOR KTC3199(BL)	1	1	1	1	1	1
Q003		4822 130 10923	TRANSISTOR KTC3199(BL)	1	1	1	1	1	1
Q004		4822 130 10103	TRANSISTOR KTC3199(Y)	1	1	1	1	1	1
Q051		4822 130 42292	RES. BUILT-IN TRANSISTOR KRA104M	1	1	1	1	1	1
Q052		4822 130 10098	RES. BUILT-IN TRANSISTOR KRC103M	1	1	1	1	1	1
Q053		4822 130 10103	TRANSISTOR KTC3199(Y)	1	1	1	1	1	1
Q054		9965 000 09389	TRANSISTOR 2SD1246(T)	1	1	1	1	1	1
Q056		4822 130 10145	RES. BUILT-IN TRANSISTOR KRA103M	1	1	1	1	1	1
Q057		9965 000 12190	TRANSISTOR KTA1281(Y)	1	1	1	1	1	1
Q058		4822 130 10098	RES. BUILT-IN TRANSISTOR KRC103M	1	1	1	1	1	1
Q153		4822 130 10103	TRANSISTOR KTC3199(Y)	1	1	1	1	1	1
Q351		4822 130 42959	TRANSISTOR KTA1266(GR)	1	1	1	1	1	1
Q352		4822 130 10103	TRANSISTOR KTC3199(Y)	1	1	1	1	1	1
Q401		4822 130 42959	TRANSISTOR KTA1266(GR)	1	1	1	1	1	1
Q402		4822 130 42292	TRANSISTOR KTC3203(Y)	1	1	1	1	1	1
Q403		4822 130 10145	RES. BUILT-IN TRANSISTOR KRA103M	1	1	1	1	1	1
Q404		4822 130 10103	TRANSISTOR KTC3199(Y)	1	1	1	1	1	1
Q405		4822 130 10103	TRANSISTOR KTC3199(Y)	1	1	1	1	1	1
Q406		4822 130 10103	TRANSISTOR KTC3199(Y)	1	1	1	1	1	1
Q451		4822 130 10098	RES. BUILT-IN TRANSISTOR KRC103M	1	1	1	1	1	1
Q501		4822 130 10923	TRANSISTOR KTC3199(BL)	1	1	1	1	1	1
Q502		4822 130 10098	RES. BUILT-IN TRANSISTOR KRC103M	1	1	1	1	1	1
Q503		9965 000 08630	PHOTO TRANSISTOR PT204-6B-12	1	1	1	1	1	1
Q551		4822 130 10923	TRANSISTOR KTC3199(BL)	1	1	1	1	1	1
Q552		4822 130 10098	RES. BUILT-IN TRANSISTOR KRC103M	1	1	1	1	1	1
Q771		4822 130 10103	TRANSISTOR KTC3199(Y)	1	1	1	1	1	1
Q772		4822 130 10103	TRANSISTOR KTC3199(Y)	1	1	1	1	1	1
<b>RESISTORS</b>									
R001		9965 000 08653	CARBON RES. 1/2W K 5.6M OHM	1	1	1	1	1	1
R002		9965 000 08635	METAL OXIDE FILM RES. 1W J 150K OHM	1	1	1	1	1	1
R003			CARBON RES. 1/4W J 1M OHM	1	1	1	1	1	1
R004			CARBON RES. 1/4W J 1M OHM	1	1	1	1	1	1
R005			CARBON RES. 1/6W G 1.5K OHM	1	1	1	1	1	1
R006			METAL OXIDE FILM RES. 1W J 2.2 OHM	1	1	1	1	1	1
R007			CARBON RES. 1/6W J 22K OHM	1	1	1	1	1	1
R008			CARBON RES. 1/6W J 100K OHM	1	1	1	1	1	1
R009			CARBON RES. 1/6W G 5.6K OHM	1	1	1	1	1	1
R011			CARBON RES. 1/4W J 390K OHM	1	1	1	1	1	1
R012			CARBON RES. 1/4W J 390K OHM	1	1	1	1	1	1
R013			CARBON RES. 1/6W J 470K OHM	1	1	1	1	1	1
R014			CARBON RES. 1/6W J 100K OHM	1	1	1	1	1	1
R015			CHIP RES.(1608) 1/10W J 10K OHM	1	1	1	1	1	1
R016			CARBON RES. 1/6W J 100K OHM	1	1	1	1	1	1
R017			CHIP RES.(1608) 1/10W J 220K OHM	1	1	1	1	1	1
R018			CHIP RES.(1608) 1/10W J 22K OHM	1	1	1	1	1	1
R021			CHIP RES.(1608) 1/10W J 22K OHM	1	1	1	1	1	1
R022			CHIP RES.(1608) 1/10W J 680 OHM	1	1	1	1	1	1
R023			CHIP RES.(1608) 1/10W J 2.2K OHM	1	1	1	1	1	1
R024			CHIP RES.(1608) 1/10W J 1K OHM	1	1	1	1	1	1

# ELECTRICAL PARTS LIST

ELECTRICAL PARTS LIST			VR730/02	VR730/07	VR730/16	VR730/39	VR732/02	VR732/16	VR732/39
Pos.	▲	12 NC	Description						
R025			CHIP RES.(1608) 1/10W J 390 OHM	1	1	1	1	1	1
R026			CHIP RES.(1608) 1/10W J 22K OHM	1	1	1	1	1	1
R027			CARBON RES. 1/6W J 1K OHM	1	1	1	1	1	1
R028			CARBON RES. 1/4W J 1M OHM	1	1	1	1	1	1
R035		4822 157 10332	PCB JUMPER D0.6-P5.0	1	1	1	1	1	1
R054			CHIP RES.(1608) 1/10W J 180 OHM	1	1	1	1	1	1
R060			CARBON RES. 1/6W J 2.7K OHM	1	1	1	1	1	1
R061			CHIP RES.(1608) 1/10W J 22K OHM	1	1	1	1	1	1
R062			CARBON RES. 1/4W J 10K OHM	1	1	1	1	1	1
R063			CARBON RES. 1/4W J 1.2K OHM	1	1	1	1	1	1
R064			CARBON RES. 1/4W J 1.2K OHM	1	1	1	1	1	1
R065			CARBON RES. 1/4W J 1.2K OHM	1	1	1	1	1	1
R066			CHIP RES.(1608) 1/10W J 47K OHM	1	1	1	1	1	1
R067			CARBON RES. 1/4W J 680 OHM	1	1	1	1	1	1
R068			CARBON RES. 1/4W J 680 OHM	1	1	1	1	1	1
R070			CHIP RES.(1608) 1/10W J 4.7K OHM	1	1	1	1	1	1
R157			CARBON RES. 1/6W J 4.7K OHM	1	1	1	1	1	1
R158			CHIP RES.(1608) 1/10W J 6.8K OHM	1	1	1	1	1	1
R251			CHIP RES.(1608) 1/10W J 2.2K OHM	1	1	1	1	1	1
R252			CHIP RES.(1608) 1/10W J 39K OHM	1	1	1	1	1	1
R301			CHIP RES.(1608) 1/10W J 1.2K OHM	1	1	1	1	1	1
R302			CHIP RES.(1608) 1/10W J 8.2K OHM	1	1	1	1	1	1
R303			CHIP RES.(1608) 1/10W J 5.6K OHM				1		1
R304			CHIP RES.(1608) 1/10W J 3.9K OHM				1		1
R305			CHIP RES.(1608) 1/10W J 3.9K OHM	1	1	1	1	1	1
R306			CHIP RES.(1608) 1/10W 0 OHM	1	1	1	1	1	1
R307			CHIP RES.(1608) 1/10W J 4.7K OHM	1	1	1	1	1	1
R308			CHIP RES.(1608) 1/10W J 6.8K OHM	1	1	1	1	1	1
R309			CHIP RES.(1608) 1/10W J 100 OHM	1	1	1	1	1	1
R310			CHIP RES.(1608) 1/10W J 10K OHM	1	1	1	1	1	1
R311			CHIP RES.(1608) 1/10W J 18K OHM	1	1	1	1	1	1
R312			CHIP RES.(1608) 1/10W J 10K OHM	1	1	1	1	1	1
R313			CHIP RES.(1608) 1/10W J 18K OHM	1	1	1	1	1	1
R315			CARBON RES. 1/6W J 2.4K OHM	1	1	1	1	1	1
R316			CHIP RES.(1608) 1/10W J 6.8K OHM	1	1	1	1	1	1
R317			CHIP RES.(1608) 1/10W J 1.2K OHM	1	1	1	1	1	1
R318			CHIP RES.(1608) 1/10W J 4.7K OHM	1	1	1	1	1	1
R319			CHIP RES.(1608) 1/10W J 10K OHM	1	1	1	1	1	1
R320			CHIP RES.(1608) 1/10W J 560 OHM	1	1	1	1	1	1
R321			CARBON RES. 1/6W J 33 OHM	1	1	1	1	1	1
R322			CHIP RES.(1608) 1/10W J 75 OHM	1	1	1	1	1	1
R323			CARBON RES. 1/6W J 33 OHM	1	1	1	1	1	1
R324			CHIP RES.(1608) 1/10W J 39K OHM	1	1	1	1	1	1
R328			CHIP RES.(1608) 1/10W J 1K OHM	1	1	1	1	1	1
R330			CHIP RES.(1608) 1/10W J 5.6M OHM	1	1	1	1	1	1
R331			CHIP RES.(1608) 1/10W J 10K OHM	1	1	1	1	1	1
R332			CHIP RES.(1608) 1/10W 0 OHM	1	1	1	1	1	1
R333			CHIP INDUCTOR MLG1608B18NJB000	1	1	1		1	1
R351			CHIP RES.(1608) 1/10W J 180 OHM	1	1	1		1	1
R352			CHIP RES.(1608) 1/10W J 150 OHM	1	1	1	1	1	1
R355			CARBON RES. 1/4W J 680 OHM	1	1	1	1	1	1
R357			CHIP RES.(1608) 1/10W J 220 OHM	1	1	1	1	1	1
R358			CHIP RES.(1608) 1/10W J 1.5K OHM	1	1	1		1	1
R360			CHIP RES.(1608) 1/10W J 1.8K OHM	1	1	1	1	1	1
R361			CHIP RES.(1608) 1/10W J 1K OHM	1	1	1	1	1	1
R370			CHIP RES.(1608) 1/10W J 2.7K OHM				1		1
R371			CARBON RES. 1/6W J 5.6K OHM				1		1
R372			CHIP RES.(1608) 1/10W J 3.9K OHM				1		1
R401			CHIP RES.(1608) 1/10W J 5.6K OHM	1	1	1	1	1	1
R402			CHIP RES.(1608) 1/10W J 22K OHM	1	1	1	1	1	1
R403			CHIP RES.(1608) 1/10W J 47K OHM	1	1	1	1	1	1
R404			CARBON RES. 1/6W J 100 OHM	1	1	1	1	1	1
R405			CHIP RES.(1608) 1/10W J 10K OHM	1	1	1	1	1	1

# ELECTRICAL PARTS LIST

ELECTRICAL PARTS LIST			VR730/02	VR730/07	VR730/16	VR730/39	VR732/02	VR732/16	VR732/39	
Pos.	▲	12 NC	Description							
R406			CHIP RES.(1608) 1/10W J 10K OHM	1	1	1	1	1	1	1
R407			CARBON RES. 1/6W J 820 OHM	1	1	1	1	1	1	1
R408			CHIP RES.(1608) 1/10W J 12K OHM	1	1	1	1	1	1	1
R409			CHIP RES.(1608) 1/10W J 5.6K OHM	1	1	1	1	1	1	1
R411			CHIP RES.(1608) 1/10W J 1K OHM	1	1	1	1	1	1	1
R412			CHIP RES.(1608) 1/10W J 27K OHM	1	1	1	1	1	1	1
R413			CHIP RES.(1608) 1/10W J 330K OHM	1	1	1	1	1	1	1
R414			CHIP RES.(1608) 1/10W J 120 OHM	1	1	1	1	1	1	1
R415			CHIP RES.(1608) 1/10W J 12K OHM	1	1	1	1	1	1	1
R416			CHIP RES.(1608) 1/10W J 1.8K OHM	1	1	1	1	1	1	1
R417			CHIP RES.(1608) 1/10W J 1.2K OHM	1	1	1	1	1	1	1
R421			CHIP RES.(1608) 1/10W J 12K OHM	1	1	1	1	1	1	1
R422			CHIP RES.(1608) 1/10W J 10K OHM	1	1	1	1	1	1	1
R425			CHIP RES.(1608) 1/10W J 5.6K OHM	1	1	1	1	1	1	1
R426			CHIP RES.(1608) 1/10W J 4.7K OHM	1	1	1	1	1	1	1
R429			CHIP RES.(1608) 1/10W J 2.2K OHM	1	1	1	1	1	1	1
R430			CHIP RES.(1608) 1/10W 0 OHM	1	1	1	1	1	1	1
R431			CHIP RES.(1608) 1/10W 0 OHM	1	1	1	1	1	1	1
R451			CHIP RES.(1608) 1/10W J 10K OHM	1	1	1		1	1	
R452			CHIP RES.(1608) 1/10W J 22K OHM	1	1	1	1	1	1	1
R453			CHIP RES.(1608) 1/10W J 6.8K OHM	1	1	1	1	1	1	1
R454			CHIP RES.(1608) 1/10W J 39K OHM	1	1	1	1	1	1	1
R455			CHIP RES.(1608) 1/10W J 6.8K OHM	1	1	1	1	1	1	1
R456			CHIP RES.(1608) 1/10W J 8.2K OHM	1	1	1	1	1	1	1
R457			CHIP RES.(1608) 1/10W J 6.8K OHM	1	1	1	1	1	1	1
R458			CHIP RES.(1608) 1/10W J 39K OHM	1	1	1	1	1	1	1
R459			CHIP RES.(1608) 1/10W J 6.8K OHM	1	1	1	1	1	1	1
R460			CHIP RES.(1608) 1/10W J 470 OHM	1	1	1	1	1	1	1
R461			CHIP RES.(1608) 1/10W J 2.2K OHM	1	1	1	1	1	1	1
R462			CHIP RES.(1608) 1/10W J 39K OHM	1	1	1	1	1	1	1
R463			CHIP RES.(1608) 1/10W J 8.2K OHM	1	1	1	1	1	1	1
R464			CHIP RES.(1608) 1/10W J 39K OHM	1	1	1	1	1	1	1
R465			CHIP RES.(1608) 1/10W J 8.2K OHM	1	1	1	1	1	1	1
R466			CHIP RES.(1608) 1/10W J 39K OHM	1	1	1	1	1	1	1
R467			CHIP RES.(1608) 1/10W J 6.8K OHM	1	1	1	1	1	1	1
R468			CARBON RES. 1/6W J 8.2K OHM	1	1	1	1	1	1	1
R469			CHIP RES.(1608) 1/10W J 6.8K OHM	1	1	1	1	1	1	1
R470			CHIP RES.(1608) 1/10W J 39K OHM	1	1	1	1	1	1	1
R471			CHIP RES.(1608) 1/10W J 6.8K OHM	1	1	1	1	1	1	1
R472			CHIP RES.(1608) 1/10W J 1K OHM	1	1	1	1	1	1	1
R473			CHIP RES.(1608) 1/10W J 1K OHM	1	1	1	1	1	1	1
R474			CHIP RES.(1608) 1/10W J 10K OHM	1	1	1	1	1	1	1
R479			CHIP RES.(1608) 1/10W J 27K OHM	1	1	1	1	1	1	1
R480			CHIP RES.(1608) 1/10W J 27K OHM	1	1	1	1	1	1	1
R501			CHIP RES.(1608) 1/10W J 1K OHM	1	1	1	1	1	1	1
R502			CHIP RES.(1608) 1/10W J 1K OHM	1	1	1	1	1	1	1
R503			CHIP RES.(1608) 1/10W J 1K OHM	1	1	1	1	1	1	1
R504			CHIP RES.(1608) 1/10W J 10K OHM	1	1	1	1	1	1	1
R505			CHIP RES.(1608) 1/10W J 10K OHM	1	1	1	1	1	1	1
R506			CHIP RES.(1608) 1/10W J 10K OHM	1	1	1	1	1	1	1
R507			CHIP RES.(1608) 1/10W 0 OHM	1	1	1	1	1	1	1
R508			CARBON RES. 1/6W J 1K OHM	1	1	1	1	1	1	1
R509			CHIP RES.(1608) 1/10W J 4.7K OHM	1	1	1	1	1	1	1
R510			CHIP RES.(1608) 1/10W J 10K OHM	1	1	1		1	1	
R511			CHIP RES.(1608) 1/10W J 100K OHM	1	1	1	1	1	1	1
R513			CHIP RES.(1608) 1/10W J 2.2K OHM	1	1	1	1	1	1	1
R514			CHIP RES.(1608) 1/10W J 820 OHM	1	1	1	1	1	1	1
R516			CHIP RES.(1608) 1/10W J 330K OHM	1	1	1	1	1	1	1
R517			CHIP RES.(1608) 1/10W J 220 OHM	1	1	1	1	1	1	1
R518			CHIP RES.(1608) 1/10W J 470 OHM	1	1	1	1	1	1	1
R519			CHIP RES.(1608) 1/10W 0 OHM	1	1	1	1	1	1	1
R520			CHIP RES.(1608) 1/10W J 10K OHM	1	1	1	1	1	1	1
R521			CHIP RES.(1608) 1/10W J 220K OHM	1	1	1	1	1	1	1

# ELECTRICAL PARTS LIST

ELECTRICAL PARTS LIST			VR730/02	VR730/07	VR730/16	VR730/39	VR732/02	VR732/16	VR732/39	
Pos.	▲	12 NC	Description							
R522			CHIP RES.(1608) 1/10W J 68K OHM	1	1	1	1	1	1	1
R523			CHIP RES.(1608) 1/10W J 10K OHM	1	1	1	1	1	1	1
R524			CHIP RES.(1608) 1/10W J 10K OHM	1	1	1	1	1	1	1
R525			CHIP RES.(1608) 1/10W J 1.5K OHM	1	1	1	1	1	1	1
R526			CHIP RES.(1608) 1/10W J 1.8K OHM	1	1	1	1	1	1	1
R527			CHIP RES.(1608) 1/10W J 680 OHM	1	1	1	1	1	1	1
R528			CHIP RES.(1608) 1/10W J 10K OHM	1	1	1	1	1	1	1
R529			CARBON RES. 1/4W J 270 OHM	1	1	1	1	1	1	1
R530			CHIP RES.(1608) 1/10W J 180 OHM	1	1	1	1	1	1	1
R531			CHIP RES.(1608) 1/10W J 68K OHM	1	1	1	1	1	1	1
R533			CHIP RES.(1608) 1/10W J 33K OHM	1	1	1	1	1	1	1
R534			CARBON RES. 1/6W G 3.6K OHM	1	1	1	1	1	1	1
R535			CARBON RES. 1/6W G 10K OHM	1	1	1	1	1	1	1
R536			CARBON RES. 1/6W G 470 OHM	1	1	1	1	1	1	1
R537			CARBON RES. 1/6W G 22K OHM	1	1	1	1	1	1	1
R538			CARBON RES. 1/6W G 1.5K OHM	1	1	1	1	1	1	1
R539			CARBON RES. 1/6W G 4.7K OHM	1	1	1	1	1	1	1
R540			CHIP RES.(1608) 1/10W J 390K OHM	1	1	1	1	1	1	1
R541			CHIP RES.(1608) 1/10W J 390K OHM	1	1	1	1	1	1	1
R542			CHIP RES.(1608) 1/10W J 1.2K OHM	1	1	1	1	1	1	1
R543			CHIP RES.(1608) 1/10W 0 OHM	1	1	1	1	1	1	1
R544			CHIP RES.(1608) 1/10W J 1.5K OHM	1	1	1	1	1	1	1
R545			CHIP RES.(1608) 1/10W J 2.2K OHM	1	1	1	1	1	1	1
R546			CHIP RES.(1608) 1/10W J 1.8K OHM	1	1	1	1	1	1	1
R547			CHIP RES.(1608) 1/10W J 2.7K OHM	1	1	1	1	1	1	1
R551			CHIP RES.(1608) 1/10W J 100 OHM	1	1	1	1	1	1	1
R552			CHIP RES.(1608) 1/10W J 10K OHM	1	1	1	1	1	1	1
R555			CHIP RES.(1608) 1/10W J 10K OHM	1	1	1	1	1	1	1
R556			CHIP RES.(1608) 1/10W J 10K OHM		1		1			1
R557			CHIP RES.(1608) 1/10W J 10K OHM				1			1
R558			CHIP RES.(1608) 1/10W J 10K OHM	1	1	1		1	1	
R566			CHIP RES.(1608) 1/10W J 56K OHM	1	1	1	1	1	1	1
R604			CHIP RES.(1608) 1/10W J 10K OHM	1	1	1	1	1	1	1
R605			CHIP RES.(1608) 1/10W J 10K OHM	1	1	1	1	1	1	1
R608			CHIP RES.(1608) 1/10W J 10K OHM	1	1	1	1	1	1	1
R610			CHIP RES.(1608) 1/10W J 10K OHM	1	1	1	1	1	1	1
R612			CHIP RES.(1608) 1/10W J 10K OHM	1	1	1	1	1	1	1
R614			CHIP RES.(1608) 1/10W J 10K OHM	1	1	1	1	1	1	1
R615			CHIP RES.(1608) 1/10W J 10K OHM	1	1	1	1	1	1	1
R701			CARBON RES. 1/6W J 1.8K OHM	1	1	1	1	1	1	1
R702			CARBON RES. 1/6W J 1K OHM	1	1	1	1	1	1	1
R703			CARBON RES. 1/6W J 1K OHM	1	1	1	1	1	1	1
R706			CARBON RES. 1/6W J 1K OHM	1	1	1	1	1	1	1
R756		4822 157 10332	PCB JUMPER D0.6-P5.0	1	1	1	1	1	1	1
R757			CHIP RES.(1608) 1/10W J 75 OHM	1	1	1	1	1	1	1
R758			CARBON RES. 1/6W J 4.7K OHM	1	1	1	1	1	1	1
R759			CARBON RES. 1/6W J 4.7K OHM	1	1	1	1	1	1	1
R771			CHIP RES.(1608) 1/10W J 4.7K OHM	1	1	1	1	1	1	1
R772			CHIP RES.(1608) 1/10W J 100K OHM	1	1	1	1	1	1	1
R773			CHIP RES.(1608) 1/10W J 4.7K OHM	1	1	1	1	1	1	1
R774			CHIP RES.(1608) 1/10W J 22K OHM	1	1	1	1	1	1	1
R775			CHIP RES.(1608) 1/10W J 15K OHM	1	1	1	1	1	1	1
R776			CHIP RES.(1608) 1/10W J 8.2K OHM	1	1	1	1	1	1	1
R777			CHIP RES.(1608) 1/10W J 8.2K OHM	1	1	1	1	1	1	1
R778			CHIP RES.(1608) 1/10W J 33K OHM	1	1	1	1	1	1	1
R779			CHIP RES.(1608) 1/10W J 33K OHM	1	1	1	1	1	1	1
R780			CHIP RES.(1608) 1/10W J 33K OHM	1	1	1	1	1	1	1
R781			CHIP RES.(1608) 1/10W J 15K OHM	1	1	1	1	1	1	1
R782			CHIP RES.(1608) 1/10W J 33K OHM	1	1	1	1	1	1	1
R783			CHIP RES.(1608) 1/10W J 15K OHM	1	1	1	1	1	1	1
R784			CHIP RES.(1608) 1/10W J 10M OHM	1	1	1	1	1	1	1
R785			CHIP RES.(1608) 1/10W J 10M OHM	1	1	1	1	1	1	1
R786			CHIP RES.(1608) 1/10W J 2.2K OHM	1	1	1	1	1	1	1

# ELECTRICAL PARTS LIST

ELECTRICAL PARTS LIST			VR730/02	VR730/07	VR730/16	VR730/39	VR732/02	VR732/16	VR732/39
Pos.	▲	12 NC	Description						
R787			CHIP RES.(1608) 1/10W J 2.2K OHM	1	1	1	1	1	1
R851			CHIP RES.(1608) 1/10W J 1.5K OHM	1	1	1	1	1	1
R852			CHIP RES.(1608) 1/10W J 1K OHM	1	1	1	1	1	1
R853			CHIP RES.(1608) 1/10W J 1K OHM	1	1	1	1	1	1
RS501		9965 000 12287	REMOTE RECEIVER MIM-93M9DKF	1	1	1	1	1	1
SA001	▲		SURGE ABSORBER PVR-10D471KB	1	1	1	1	1	1
<b>SWITCHES</b>									
SW501		4822 276 13954	TACT SWITCH KSM0614B	1	1	1	1	1	1
SW502		4822 276 13954	TACT SWITCH KSM0614B	1	1	1	1	1	1
SW504		4822 276 13954	TACT SWITCH KSM0614B	1	1	1	1	1	1
SW505		4822 276 13954	TACT SWITCH KSM0614B	1	1	1	1	1	1
SW506		9965 000 12285	LEAF SWITCH LSA-1142AU	1	1	1	1	1	1
SW507		9965 000 08561	ROTARY MODE SWITCH SSS-43MD	1	1	1	1	1	1
<b>MISCELLANEOUS</b>									
T001	▲	9965 000 09203	PULSE TRANS SA-00901B	1	1	1	1	1	1
TP301			PCB JUMPER D0.6-P9.5	1	1	1	1	1	1
TP501			PCB JUMPER D0.6-P6.0	1	1	1	1	1	1
TP502			PCB JUMPER D0.6-P10.0	1	1	1	1	1	1
TP506		4822 157 10332	PCB JUMPER D0.6-P5.0	1	1	1	1	1	1
TP507			PCB JUMPER D0.6-P6.0	1	1	1	1	1	1
TP508			PCB JUMPER D0.6-P23.0	1	1	1	1	1	1
TP751		4822 157 10332	PCB JUMPER D0.6-P5.0	1	1	1	1	1	1
TU701		9965 000 12193	TUNER UNIT TMDG2-632A		1				
TU701		9965 000 12256	TUNER UNIT TMDZ2-731A				1		1
TU701		9965 000 12265	TUNER UNIT TMDG2-631A	1		1		1	1
VR501		9965 000 05260	CARBON P.O.T. 100K OHM B	1	1	1	1	1	1
X301		9965 000 05629	X'TAL 4.433619MHZ	1	1	1	1	1	1
X501		9965 000 12194	X'TAL 12.000MHZ	1	1	1	1	1	1
X502		9965 000 12288	X'TAL 32.768KHZ(20PPM)	1	1	1	1	1	1
<b>JACK CBA</b>									
ZL022		4822 502 30752	SCREW, P-TIGHT M3X10 WASHER HEAD+	1	1	1	1	1	1
A5		9965 000 12263	JACK BOARD(2-21P) HC470ED	1	1	1	1		
A5		9965 000 12273	JACK BOARD(2-21P) HC475ED					1	1
<b>CAPACITORS</b>									
C101			CHIP CERAMIC CAP. B K 2200PF/50V	1	1	1	1	1	1
C102			CHIP CERAMIC CAP. B K 2200PF/50V	1	1	1	1	1	1
C103			CHIP CERAMIC CAP. CH J 470PF/50V	1	1	1	1	1	1
C104			CHIP CERAMIC CAP. CH J 470PF/50V	1	1	1	1	1	1
C105			CHIP CERAMIC CAP. F Z 0.1UF/50V	1	1	1	1	1	1
C107			ELECTROLYTIC CAP. 1UF/50V M H7	1	1	1	1	1	1
C108			CHIP CERAMIC CAP. B K 1000PF/50V	1	1	1	1	1	1
C109			CHIP CERAMIC CAP. B K 2200PF/50V	1	1	1	1	1	1
C110			CHIP CERAMIC CAP. B K 2200PF/50V	1	1	1	1	1	1
C111			CHIP CERAMIC CAP. CH J 470PF/50V	1	1	1	1	1	1
C112			CHIP CERAMIC CAP. CH J 470PF/50V	1	1	1	1	1	1
C113			CHIP CERAMIC CAP. B K 2200PF/50V	1	1	1	1	1	1
C115			ELECTROLYTIC CAP. 100UF/16V M H7	1	1	1	1	1	1
C116			ELECTROLYTIC CAP. 470UF/6.3V M	1	1	1	1	1	1
C117			ELECTROLYTIC CAP. 470UF/6.3V M	1	1	1	1	1	1
<b>DIODES</b>									
D101		9965 000 12178	ZENER DIODE DZ-11BSAT265	1	1	1	1	1	1
D102		9965 000 12178	ZENER DIODE DZ-11BSAT265	1	1	1	1	1	1
D103		9965 000 12178	ZENER DIODE DZ-11BSAT265	1	1	1	1	1	1
D105		9965 000 12178	ZENER DIODE DZ-11BSAT265	1	1	1	1	1	1
JK101		9965 000 12197	RGB CONNECTOR MRC-021V-01	1	1	1	1	1	1
JK102		9965 000 12197	RGB CONNECTOR MRC-021V-01	1	1	1	1	1	1
<b>COILS</b>									
L101		4822 526 10685	BEAD CORE B16 RH 3.5X10X1.3	1	1	1	1	1	1
L121		4822 526 10685	BEAD CORE B16 RH 3.5X10X1.3	1	1	1	1	1	1
<b>TRANSISTORS</b>									
Q101		4822 130 42959	TRANSISTOR KTA1266(GR)	1	1	1	1	1	1
Q102		4822 130 42959	TRANSISTOR KTA1266(GR)	1	1	1	1	1	1
<b>RESISTORS</b>									



ELECTRICAL PARTS LIST			VR730/02	VR730/07	VR730/16	VR730/39	VR732/02	VR732/16	VR732/39
Pos.	▲	12 NC	Description						
R101			CARBON RES. 1/4W J 1K OHM	1	1	1	1	1	1
R103			CARBON RES. 1/4W J 1K OHM	1	1	1	1	1	1
R104			CARBON RES. 1/6W J 4.7K OHM	1	1	1	1	1	1
R106			CARBON RES. 1/6W J 4.7K OHM	1	1	1	1	1	1
R107			CHIP RES.(1608) 1/10W 0 OHM	1	1	1	1	1	1
R108			CARBON RES. 1/4W J 68 OHM	1	1	1	1	1	1
R109			CHIP RES.(1608) 1/10W J 75 OHM	1	1	1	1	1	1
R110			CARBON RES. 1/4W J 1K OHM	1	1	1	1	1	1
R112			CARBON RES. 1/4W J 1K OHM	1	1	1	1	1	1
R113			CARBON RES. 1/6W J 4.7K OHM	1	1	1	1	1	1
R115			CARBON RES. 1/6W J 4.7K OHM	1	1	1	1	1	1
R116			CARBON RES. 1/6W J 15K OHM	1	1	1	1	1	1
R117			CHIP RES.(1608) 1/10W J 10K OHM	1	1	1	1	1	1
R118			CARBON RES. 1/4W J 68 OHM	1	1	1	1	1	1
R119			CHIP RES.(1608) 1/10W J 75 OHM	1	1	1	1	1	1
R120			CARBON RES. 1/6W J 680 OHM	1	1	1	1	1	1
R123			CHIP RES.(1608) 1/10W J 220 OHM	1	1	1	1	1	1
R125			CARBON RES. 1/6W J 680 OHM	1	1	1	1	1	1
R126			CHIP RES.(1608) 1/10W J 220 OHM	1	1	1	1	1	1
R127			CHIP RES.(1608) 1/10W 0 OHM	1	1	1	1	1	1
R128			CHIP RES.(1608) 1/10W 0 OHM	1	1	1	1	1	1
<b>FUNCTION CBA</b>									
R652			CHIP RES.(1608) 1/10W J 1.2K OHM	1	1	1	1	1	1
R653			CHIP RES.(1608) 1/10W J 1.5K OHM	1	1	1	1	1	1
R654			CHIP RES.(1608) 1/10W J 2.2K OHM	1	1	1	1	1	1
R655			CHIP RES.(1608) 1/10W J 3.9K OHM	1	1	1	1	1	1
<b>SWITCHES</b>									
SW651		4822 276 13954	TACT SWITCH KSM0614B	1	1	1	1	1	1
SW652		4822 276 13954	TACT SWITCH KSM0614B	1	1	1	1	1	1
SW653		4822 276 13954	TACT SWITCH KSM0614B	1	1	1	1	1	1
SW654		4822 276 13954	TACT SWITCH KSM0614B	1	1	1	1	1	1
SW656		4822 276 13954	TACT SWITCH KSM0614B	1	1	1	1	1	1
<b>VPS CBA</b>									
<b>CAPACITORS</b>									
C640			CHIP CERAMIC CAP. F Z 0.1UF/50V	1	1	1	1	1	1
C642			SEMICONDUCTOR CAP. SR K 0.056UF/25V	1	1	1	1	1	1
C643			ELECTROLYTIC CAP. 4.7UF/25V M H7	1	1	1	1	1	1
C644			ELECTROLYTIC CAP. 47UF/6.3V M H7	1	1	1	1	1	1
C645			CHIP CERAMIC CAP. B K 0.01UF/50V	1	1	1	1	1	1
C648			ELECTROLYTIC CAP. 1UF/50V M H7	1	1	1	1	1	1
C649			ELECTROLYTIC CAP. 1UF/50V M H7	1	1	1	1	1	1
<b>IC's</b>									
IC640		9965 000 12198	IC:VPS/PDC SLICER LC74793JM-TRM	1	1	1	1	1	1
<b>RESISTORS</b>									
R638			CHIP RES.(1608) 1/10W J 100 OHM	1	1	1	1	1	1
R641			CHIP RES.(1608) 1/10W J 10K OHM	1	1	1	1	1	1
R642			CHIP RES.(1608) 1/10W J 2.7K OHM	1	1	1	1	1	1
R643			CHIP RES.(1608) 1/10W J 5.6K OHM	1	1	1	1	1	1
R644			CHIP RES.(1608) 1/10W J 10K OHM	1	1	1	1	1	1
R645			CHIP RES.(1608) 1/10W J 10K OHM	1	1	1	1	1	1
<b>POWER SW CBA</b>									
SW510		4822 276 13954	TACT SWITCH KSM0614B	1	1	1	1	1	1
<b>SENSOR CBA</b>									
Q504		9965 000 08630	PHOTO TRANSISTOR PT204-6B-12	1	1	1	1	1	1
Q505		9965 000 08630	PHOTO TRANSISTOR PT204-6B-12	1	1	1	1	1	1
<b>FUNCTION CBA</b>									
CN651		9965 000 09213	ANGLE PIN HEADER, 3P 6029B-1-03Z002-T	1	1	1	1	1	1
<b>RESISTORS</b>									
R652			CARBON RES. 1/6W J 1K OHM	1	1	1	1	1	1
R653			CARBON RES. 1/6W J 1.2K OHM	1	1	1	1	1	1
R654			CARBON RES. 1/6W J 1.5K OHM	1	1	1	1	1	1
R655			CARBON RES. 1/6W J 2.2K OHM	1	1	1	1	1	1
R668			CARBON RES. 1/6W J 3.9K OHM	1	1	1	1	1	1

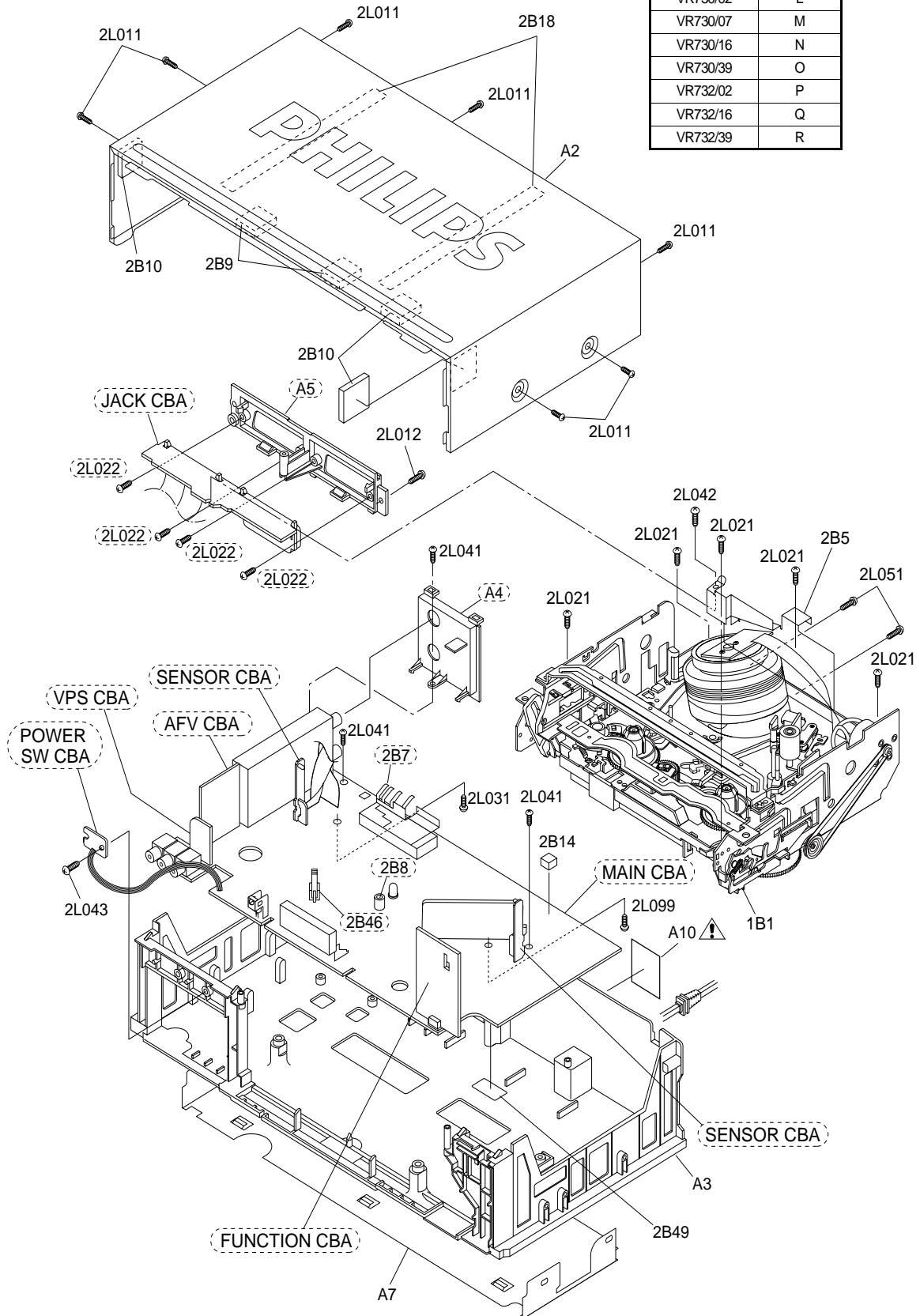
ELECTRICAL PARTS LIST			VR730/02	VR730/07	VR730/16	VR730/39	VR732/02	VR732/16	VR732/39
Pos.	▲	12 NC	Description						
<b>SWITCHES</b>									
SW671		4822 276 13954	TACT SWITCH KSM0614B						
SW672		4822 276 13954	TACT SWITCH KSM0614B						
SW673		4822 276 13954	TACT SWITCH KSM0614B						
SW674		4822 276 13954	TACT SWITCH KSM0614B						
SW675		4822 276 13954	TACT SWITCH KSM0614B						
<b>AFV CBA</b>									
<b>CAPACITORS</b>									
C1			CHIP CERAMIC CAP. F Z 0.1UF/50V						
C4			CHIP CERAMIC CAP. CH J 56PF/50V						
C5			CHIP CERAMIC CAP. CH J 22PF/50V						
C6			CHIP CERAMIC CAP. CH J 56PF/50V						
C7			CHIP CERAMIC CAP. CH D 3PF/50V						
C8			CHIP CERAMIC CAP. CH D 3PF/50V						
C11			CHIP CERAMIC CAP. B K 0.01UF/50V						
C12			ELECTROLYTIC CAP. 10UF/16V M H7						
C13			CHIP CERAMIC CAP. B K 0.01UF/50V						
C14			CHIP CERAMIC CAP. B K 0.01UF/50V						
C15			ELECTROLYTIC CAP. 10UF/16V M H7						
C16			ELECTROLYTIC CAP. 10UF/16V M H7						
C17			CHIP CERAMIC CAP. F Z 0.1UF/50V						
C19			CHIP CERAMIC CAP. F Z 0.1UF/50V						
C20			ELECTROLYTIC CAP. 3.3UF/50V M H7						
C21			CHIP CERAMIC CAP. F Z 0.1UF/50V						
C22			ELECTROLYTIC CAP. 10UF/16V M H7						
C23			CHIP CERAMIC CAP. F Z 0.47UF/10V						
C24			ELECTROLYTIC CAP. 0.22UF/50V M H7						
CN1		4822 265 11267	ANGLE PIN HEADER, 9P 6029B-1-09Z003-T						
<b>DIODES</b>									
D2		4822 130 30621	SWITCHING DIODE 1N4148M						
<b>IC's</b>									
IC1		9965 000 12199	IC:AUDIO PROCESSOR MSP3417G-QG-B8						
IC1		9965 000 12274	IC:AUDIO PROCESSOR MSP3407G-QG-B8						
<b>COILS</b>									
L1		4822 157 10889	INDUCTOR 10UH-K-26T						
L2		4822 157 10332	PCB JUMPER D0.6-P5.0						
L3		4822 157 11318	INDUCTOR 18UH-K-26T						
L4		4822 157 10889	INDUCTOR 10UH-K-26T						
<b>RESISTORS</b>									
R1			CHIP RES.(1608) 1/10W J 1K OHM						
R2			CHIP RES.(1608) 1/10W 0 OHM						
R4			CHIP RES.(1608) 1/10W J 120K OHM						
R5			CHIP RES.(1608) 1/10W 0 OHM						
R6			CHIP RES.(1608) 1/10W 0 OHM						
R7			CHIP RES.(1608) 1/10W J 1.2K OHM						
X1		9965 000 12200	X'TAL 18.432MHZ						

# [ VR730/02, VR730/07, VR730/16, VR730/39, VR732/02, VR732/16, VR732/39 ]

## Cabinet

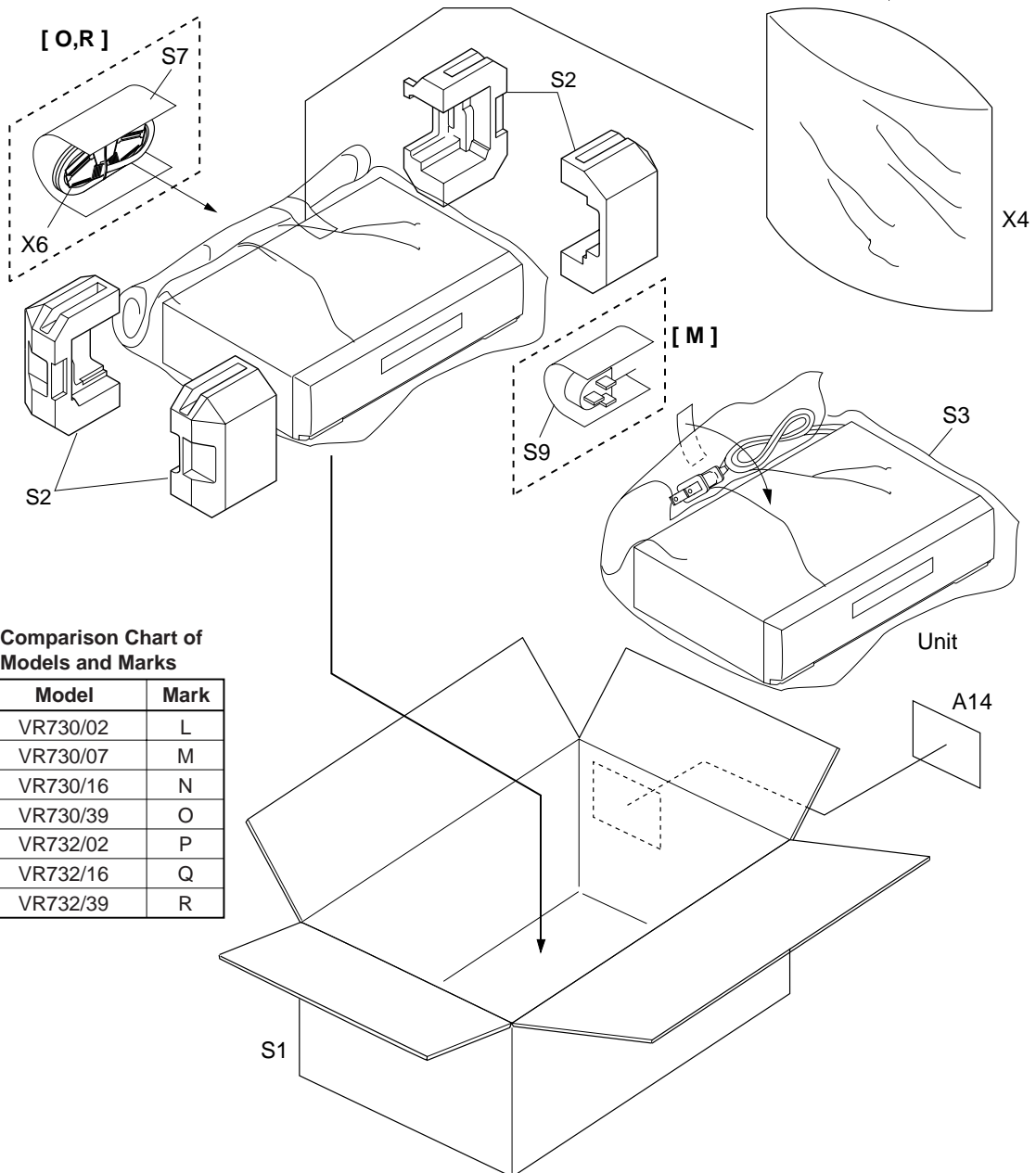
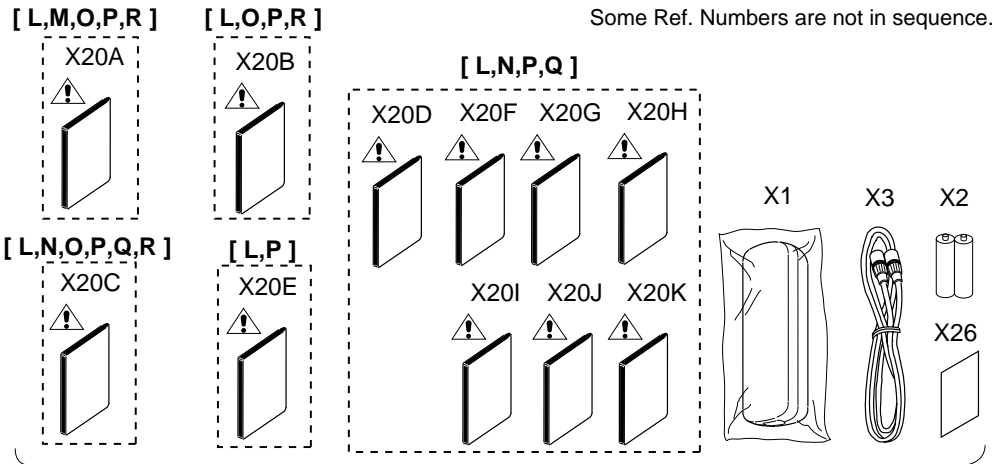
Comparison Chart of Models and Marks

Model	Mark
VR730/02	L
VR730/07	M
VR730/16	N
VR730/39	O
VR732/02	P
VR732/16	Q
VR732/39	R



[ VR730/02, VR730/07, VR730/16, VR730/39, VR732/02, VR732/16, VR732/39 ]

Packing



Comparison Chart of Models and Marks

Model	Mark
VR730/02	L
VR730/07	M
VR730/16	N
VR730/39	O
VR732/02	P
VR732/16	Q
VR732/39	R

<b>MECHANICAL PARTS LIST</b>			<b>VR730/02</b>	<b>VR730/07</b>	<b>VR730/16</b>	<b>VR730/39</b>	<b>VR732/02</b>	<b>VR732/16</b>	<b>VR732/39</b>
<b>Pos.</b>	<b>▲</b>	<b>12 NC</b>	<b>Description</b>						
A1X		9965 000 12257	FRONT ASSEMBLY HC471BD						
A1X		9965 000 12264	FRONT ASSEMBLY HC472ED						
A1X		9965 000 12266	FRONT ASSEMBLY HC473FD						
A1X		9965 000 12267	FRONT ASSEMBLY HC475ED						
A1X		9965 000 12277	FRONT ASSEMBLY HC477ED						
A1X		9965 000 12278	FRONT ASSEMBLY HC478FD						
A1X		9965 000 13004	FRONT ASSEMBLY HC470ED						
A2		9965 000 12258	CASE, TOP HC470ED						
A2		9965 000 12268	CASE, TOP(BLACK) HC475ED						
A3		9965 000 12259	CHASSIS(U25PAL FTZ) HC470ED						
A3		9965 000 12269	CHASSIS(435/BLACK) HC475ED						
A7		9965 000 12260	PANEL, BOTTOM HC470ED						
A8		9965 000 12167	DOOR, CASSETTE HC466BD						
A8		9965 000 12270	DOOR, CASSETTE HC475ED						
A8		9965 000 12276	DOOR, CASSETTE HC476BD						
A9		9965 000 09192	SPRING, DOOR H7220UD U15						
1B1		9965 000 12399	DECK ASSEMBLY CZD011/VM15E0						
2B5		9965 000 12168	SHEILD, CYLINDER HC460ED						
2B18		9965 000 12169	FIBER, TOP CASE H8101BD U15 PAL						
2L011		4822 502 13712	SCREW, P-TIGHT 3X12 BIND HEAD+ BLK						
2L021		4822 502 30752	SCREW, P-TIGHT M3X10 WASHER HEAD+						
2L041		4822 502 14012	P-TIGHT SCREW 3X8 BIND +						
2L042		4822 502 14012	P-TIGHT SCREW 3X8 BIND +						
2L043		4822 502 14012	P-TIGHT SCREW 3X8 BIND +						
2L051		4822 502 14018	SCREW, S-TIGHT M3X5 BIND HEAD+						
<b>PACKING</b>									
S1			GIFT BOX CARTON HC471BD						
S1			GIFT BOX CARTON HC470ED						
S1			GIFT BOX CARTON HC475ED						
S2			STYROFOAM HC461BD						
S2			STYROFOAM HC460ED						
S3			UNIT, BAG E5500UD						
X1		9965 000 12172	REMOTE CONTROL UNIT 364/CRC006						
X1		9965 000 12271	REMOTE CONTROL UNIT 364/CRC006						
X3		9965 000 09742	RF CORD PAL 1.2M						
X4			ACCESSORY BAG K8092BA						

**PRODUCT SAFETY NOTE:** Products marked with a ▲

have special characteristics important to safety.  
 Before replacing any of these components, read carefully  
 the product safety notice in this service manual.  
 Don't degrade the safety of the product through improper servicing.

DECK PARTS LIST			
Pos.	▲	12 NC	Description
B2		9965 000 12201	CYLINDER ASS. MK11 PAL 4HD HIFI
B8		9965 000 12203	PULLEY ASSEMBLY MK11
B10		9965 000 08431	MOVING GUIDE T PREP. MK10
B12		9965 000 12205	LOADING ARM S(B) ASS. MK11
B31		9965 000 12207	AC HEAD ASSEMBLY MK11
B37		9965 000 12209	CAPSTAN MOTOR 288/VCCM011
B73		9965 000 12210	FE HEAD ASSEMBLY MK11
B73		9965 000 12896	FE HEAD ASSEMBLY MK11
B121		9965 000 12211	WORM MK11
B133		9965 000 12213	IDLER ASSEMBLY(2) MK10
B300		9965 000 12214	C DRIVE LEVER R MK11
B347		9965 000 08445	GUIDE HOLDER A MK10
B355		9965 000 12217	SLIDER L MK11
B410		9965 000 12218	PINCH ARM(A) ASSEMBLY MK11
B411		9965 000 08453	PINCH SPRING MK10
B414		9965 000 12219	M BRAKE S(HI) ASSEMBLY MK11
B416		9965 000 12220	M BRAKE T(HI) ASSEMBLY MK11
B417		9965 000 12221	TENSION SPG(190265) MK11
B425		9965 000 08457	LOCK LEVER SPRING MK10
B426		9965 000 08458	KICK PULLEY MK10
B482		9965 000 12222	C PLATE MK11
B483		9965 000 08461	LOCK LEVER MK10
B487		9965 000 08462	BAND BRAKE MK10
B488		9965 000 12223	MODE LEVER(HI) MK11
B491		9965 000 12224	CAM GEAR(A) MK11
B492		9965 000 12225	MODE GEAR MK11
B494		9965 000 12226	DOOR OPENER B MK11
B499		9965 000 08467	T LEVER HOLDER MK10
B501		9965 000 12227	WORM HOLDER MK11
B502		9965 000 08469	CAM GEAR(B) MK10
B505		4822 532 13158	P.S.W F 6*2.55*0.5
B507		9965 000 05342	REEL WASHER MK9 5*2.1*0.5
B508		9965 000 08470	S BRAKE SPRING MK10
B513		9965 000 08471	PSCW(752605) MK10
B514		9965 000 12228	SCREW RACK MK11
B516		9965 000 05342	REEL WASHER MK9 5*2.1*0.5
B518		4822 532 13159	P.S.W CUT 1.6X4.0X0.5T
B520		9965 000 12229	T BRAKE SPRING HI(F) MK11
B521		9965 000 08482	SOFT SPRING MK10
B522		9965 000 08483	TG POST ASSEMBLY MK10
B525		9965 000 12230	LDG BELT MK11
B529		9965 000 12231	CLEANER ASSEMBLY MK11

DECK PARTS LIST			
Pos.	▲	12 NC	Description
B551		9965 000 12232	FF ARM(HI) MK10
B553		9965 000 12233	REV SPRING MK11
B555		9965 000 12234	RACK ASSEMBLY MK11
B557		9965 000 08519	MOTOR PULLEY U5
B558		9965 000 12235	LOADING MOTOR
B559		9965 000 12236	CLUTCH ASS. (HI)(2) MK11
B560		9965 000 08522	KICK SPRING MK10
B562		9965 000 08524	C DRIVE LEVER L MK10
B563		9965 000 08525	SLIDER SHAFT MK10
B564		9965 000 12237	M GEAR(HYT) N12G5F*
B565		9965 000 12238	SENSOR GEAR MK11
B567		9965 000 08544	PINCH ARM(B) MK10
B568		9965 000 08545	BT ARM MK10
B569		9965 000 12239	CAM HOLDER F MK11
B570		9965 000 12240	CAM RACK SPRING(HI) MK11
B571		4822 532 13158	P.S.W F 6*2.55*0.5
B572		4822 532 13159	P.S.W CUT 1.6X4.0X0.5T
B573		9965 000 12241	REEL S MK11
B574		9965 000 12242	REEL T MK11
B578		9965 000 12243	TR GEAR A MK10
B579		9965 000 12244	TR GEAR B MK10
B580		9965 000 12245	TR GEAR C MK11
B581		9965 000 12246	CENTER GEAR(HYT) N12G5F*
B582		9965 000 12247	TR GEAR SPRING MK10
B583		9965 000 05342	REEL WASHER MK9 5*2.1*0.5
B584		9965 000 12248	TR GEAR SHAFT MK10
B585		9965 000 12249	PSW(2957505) MK11
L1051		9965 000 05359	SCREW, B-TIGHT M2.6X6 PAN HEAD+
L1053		9965 000 05375	SCREW, S-TIGHT M2.6X8 WASHER HEAD+
L1151		9965 000 08642	SCREW, SEMS M2.6X4 PAN HEAD+
L1191		9965 000 05375	SCREW, S-TIGHT M2.6X8 WASHER HEAD+
L1321		4822 502 14009	SCREW, S-TIGHT M3X6 BIND HEAD+
L1341		4822 502 14669	SCREW, P-TIGHT M2.6X6 BIND HEAD+
L1406		9965 000 08643	AC HEAD SCREW MK9
L1407		9965 000 12250	SCREW, S-TIGHT M2.6X10 DISH HEAD+
L1450		4822 502 14671	SCREW, SEMS M2.6X5 PAN HEAD+
L1461		4822 502 30471	SCREW, P-TIGHT M2.6X6 WASHER HEAD+
L1466		9965 000 05364	SCREW, S-TIGHT M2.6X6 BIND HEAD+
L1467		9965 000 12251	SCREW, S-TIGHT M2.6X5 WASHER HEAD+
L1468		9965 000 12252	SCREW, B-TIGHT M1.7X12
L1471		9965 000 05364	SCREW, S-TIGHT M2.6X6 BIND HEAD+