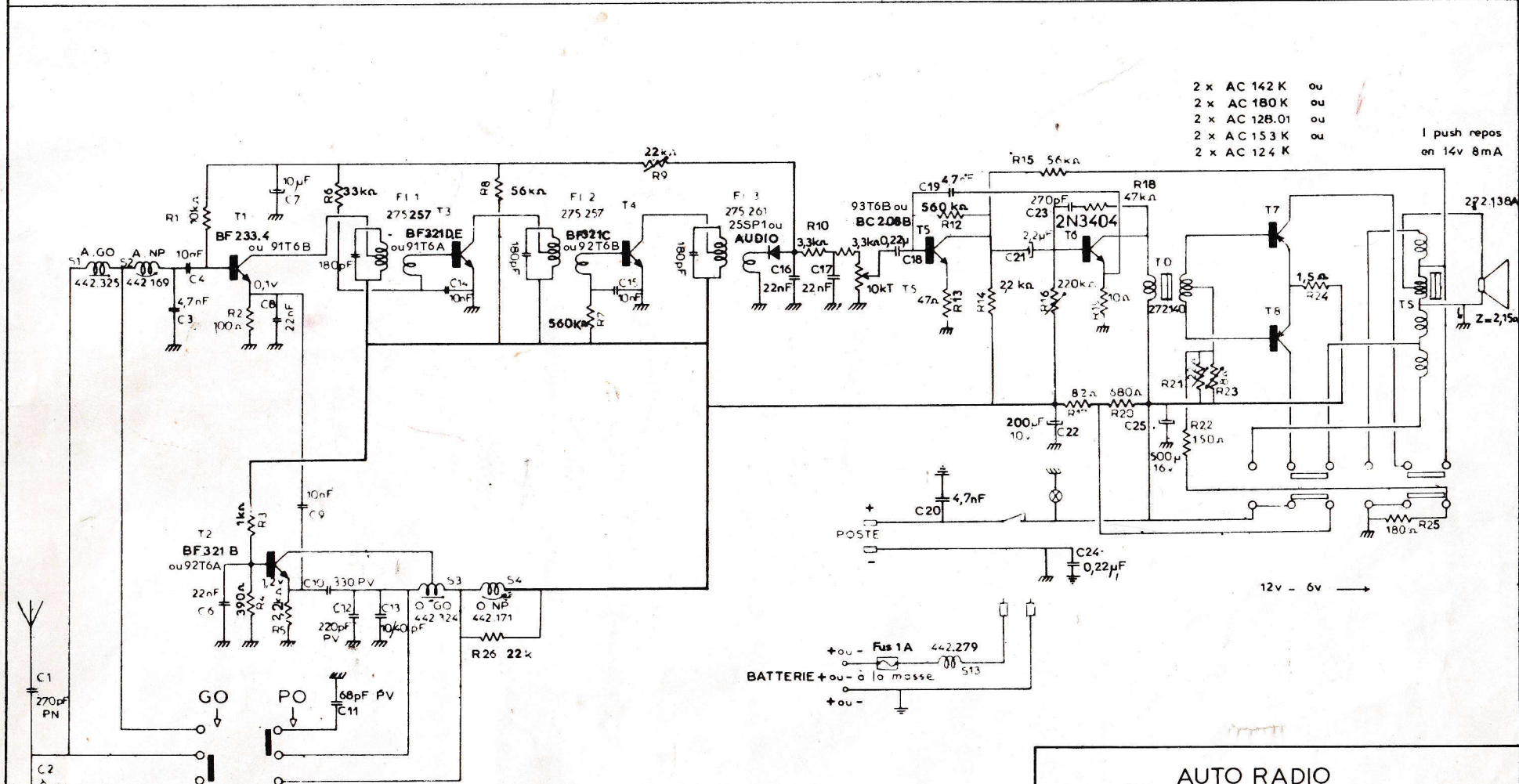


R1	R2 R3 R4	R5	R6	R8 R26	R7	R9	R10	R11	R12 R13	R14	R15 R16	R17 R18 R19 R20	R21 R22	R23	R15	R24	R25
C1 C2	C26	C3 C4	C5 C6	C7 C8	C9 C10 C11	C12 C13	C14	C15	C16	C17	C18 C19 C20	C21 C22 C23 C24	C25				
S1	S2	T1 T2		S3 T3 S4		T4						T5 S5	T6			T7 T8	



T2 - 92T6A - R5 = 12K  
 T4 - 92T6B - R7 = 1,5M  
 T5 - 93T6B - R12 = 330K

**AUTO RADIO  
 SUPER RALLYE  
 2 TOUCHES**  
 6.12 volts - plus ou moins à la masse  
**S.F.R.T.** 019 705