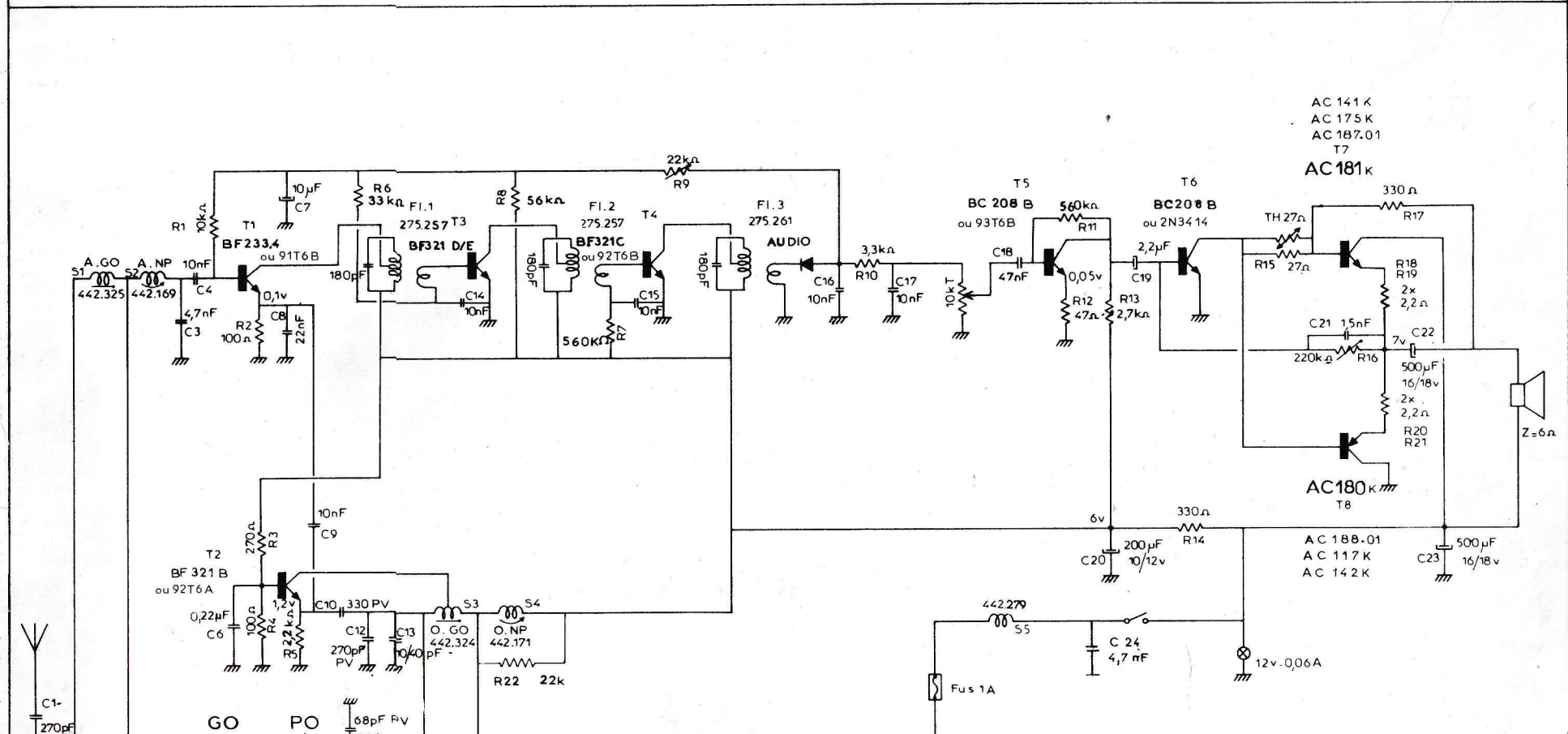


	R1	R2	R5		R6	R8	R7	R9		R10		R11	R13	R14	R15	R16	R18	R17	
		R3	R4		R22							R12					R19	R20	R21
C1		C3	C4	C5	C7	C9	C12	C13	C14		C15		C16	C17	C18		C20	C19	
C2				C6	C8	C10											C21	C22	C23
						C11													C24
S1	S2			T1			S3	T3	S4		T4						T5		T6
				T2													S5		T7
																			T8



AC 141 K
AC 175 K
AC 187.01
T7
AC 181 k

AC 180 k
T8

AC 188-01
AC 117 K
AC 142 K

T2_92T6A-R5=12K
T4_92T6B-R7=15M
T5_93T6B-R11=330K

**AUTO RADIO
RALLYE
2 TOUCHES**
12 volts_ moins à la masse
S.F.R.T. 019 700